

PCB terminal block - PTSPLO-6/1-2X2 2,1 R32



1705081

<https://www.phoenixcontact.com/pc/products/1705081>

Please be informed that the data shown in this PDF document is generated from our Online Catalog. Please find the complete data in the user documentation. Our General Terms of Use for Downloads are valid.



PCB terminal block for tin-plated flexible cables, e.g., type PV 1-F, nominal current: 41 A, number of positions: 1, connection method: spring-cage connection, mounting: THT/THR, for user information for through-hole reflow technology, go to: combicon.com

Your advantages

- Able to perform without insulating elements: ideal for easy integration into the SMT soldering process
- Tool-free spring principle enables time-saving connection of conductors with ferrules and tinned conductors
- Defined contact force ensures that contact remains stable over the long term

Commercial Data

Item number	1705081
Packing unit	220 pc
Minimum order quantity	220 pc
Product Key	AANCBA
Catalog Page	Page 475 (C-1-2013)
GTIN	4046356752831
Weight per Piece (including packing)	3.4 g
Weight per Piece (excluding packing)	1.849 g
Customs tariff number	85369010
Country of origin	DE

PCB terminal block - PTSPLO-6/1-2X2 2,1 R32



1705081

<https://www.phoenixcontact.com/pc/products/1705081>

Technical Data

Product properties

Product line	COMBICON Terminals L
Product type	Printed circuit board terminal
Number of positions	1
Pitch	0 mm
Number of connections	1
Number of rows	1
Number of potentials	1
Pin layout	Linear pinning
Solder pins per potential	4

Electrical properties

Nominal current I_N	41 A
Degree of pollution	3

Connection data

Connection technology

Type	Circular conductor connection, single-pos.
Nominal cross section	6 mm ²

Conductor connection

Connection method	Push-in spring connection
Conductor cross section flexible	2.5 mm ² ... 6 mm ² (Conductors with tin-plated litz wires are to be used, for example type PV1-F.)
Conductor cross section flexible, with ferrule without plastic sleeve	2.5 mm ² ... 6 mm ²
Stripping length	12 mm ... 15 mm

Mounting

Mounting type	THR soldering / wave soldering
Pin layout	Linear pinning

Material specifications

Material data - contact

Note	WEEE/RoHS-compliant, free of whiskers according to IEC 60068-2-82/JEDEC JESD 201
Contact material	Cu alloy
Surface characteristics	hot-dip tin-plated
Metal surface terminal point (top layer)	Tin (4 - 8 μm Sn)
Metal surface soldering area (top layer)	Tin (4 - 8 μm Sn)

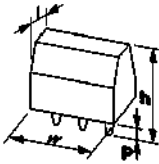
Dimensions

PCB terminal block - PTSPLO-6/1-2X2 2,1 R32



1705081

<https://www.phoenixcontact.com/pc/products/1705081>

Dimensional drawing	
Pitch	0 mm
Width [w]	8.7 mm
Height [h]	12.9 mm
Length [l]	14.95 mm
Installed height	10.8 mm
Solder pin length [P]	2.1 mm

Mechanical tests

Test for conductor damage and slackening

Specification	IEC 60999-1:1999-11
Result	Test passed

Pull-out test

Specification	IEC 60999-1:1999-11
Conductor cross section/conductor type/tractive force setpoint/actual value	2.5 mm ² / stranded PV1-F / > 50 N 6 mm ² / stranded PV1-F / > 80 N

Electrical tests

Temperature-rise test

Specification	60947-7-4/FDIS © IEC 2012
Requirement temperature-rise test	Increase in temperature ≤ 45 K

Temperature cycles

Specification	IEC 60999-1:1999-11
Result	Test passed

Environmental and real-life conditions

Vibration test

Specification	IEC 60068-2-6:2007-12
Frequency	10 - 150 - 10 Hz
Sweep speed	1 octave/min
Amplitude	0.35 mm (10 Hz ... 60.1 Hz)
Sweep speed	5g (60.1 Hz ... 150 Hz)
Test duration per axis	2.5 h

Shocks

Specification	IEC 60068-2-27:2008-02
Pulse shape	Semi-sinusoidal

PCB terminal block - PTSPLO-6/1-2X2 2,1 R32

1705081

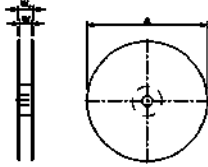
<https://www.phoenixcontact.com/pc/products/1705081>

Acceleration	30g
Shock duration	18 ms
Test directions	X-, Y- and Z-axis (pos. and neg.)

Ambient conditions

Ambient temperature (operation)	-40 °C ... 100 °C (Depending on the current carrying capacity/derating curve)
Ambient temperature (storage/transport)	-40 °C ... 70 °C
Relative humidity (storage/transport)	30 % ... 70 %
Ambient temperature (assembly)	-5 °C ... 100 °C

Packaging specifications

Dimensional drawing	
Type of packaging	32 mm wide tape
[W] tape width	32 mm
[W2] coil overall dimension	38.4 mm
[A] coil diameter	330 mm
Outer packaging type	Transparent-Bag
ESD level	(D) electrostatically conductive
Specification	DIN EN 61340-5-1 (VDE 0300-5-1): 2008-07

PCB terminal block - PTSPLO-6/1-2X2 2,1 R32

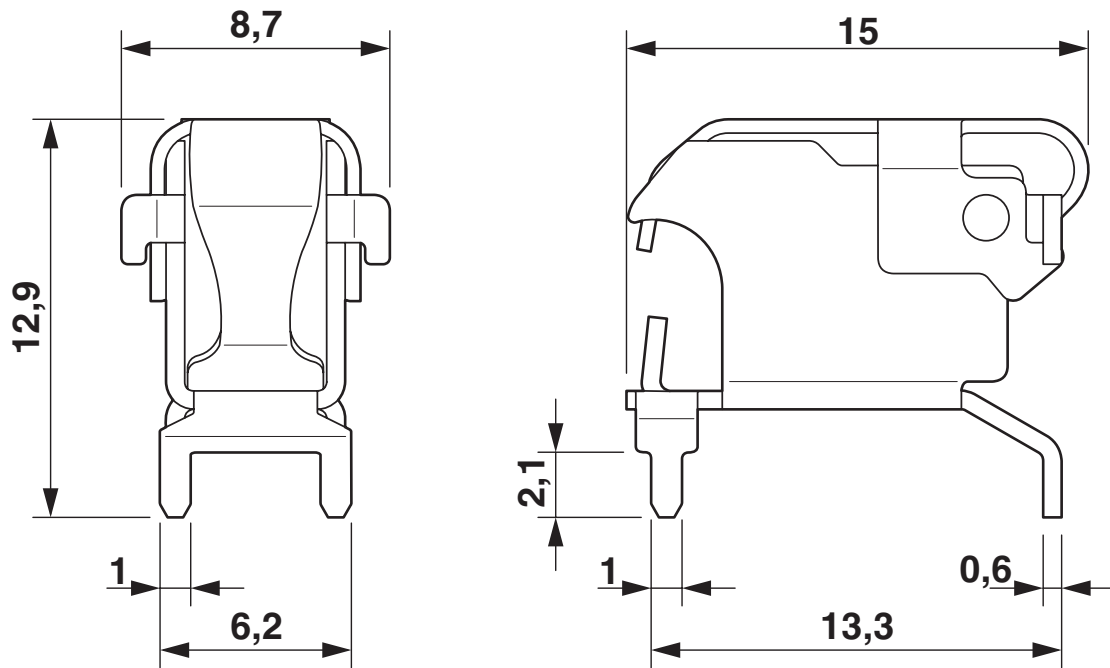


1705081

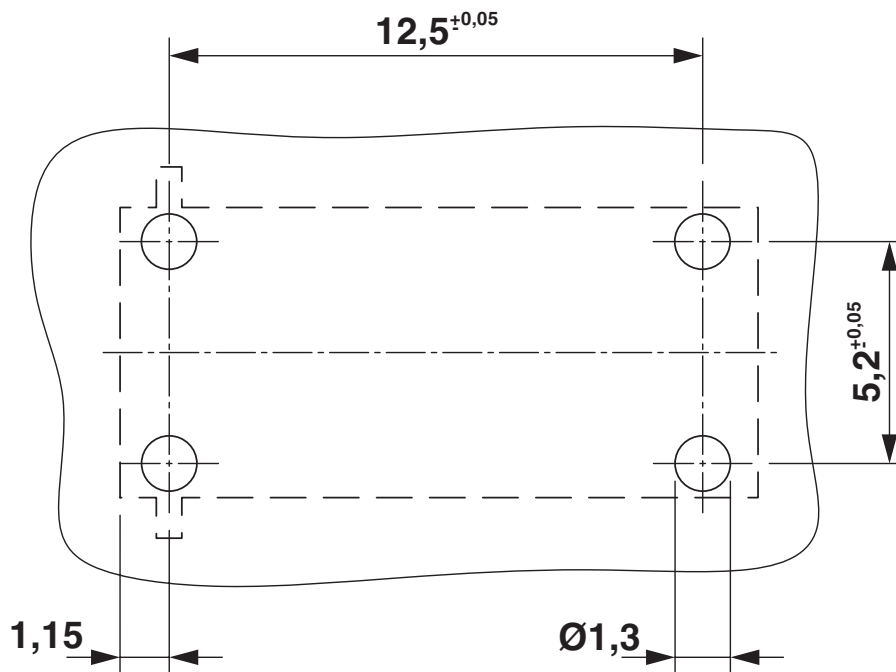
<https://www.phoenixcontact.com/pc/products/1705081>

Drawings

Dimensional drawing



Drilling plan/solder pad geometry

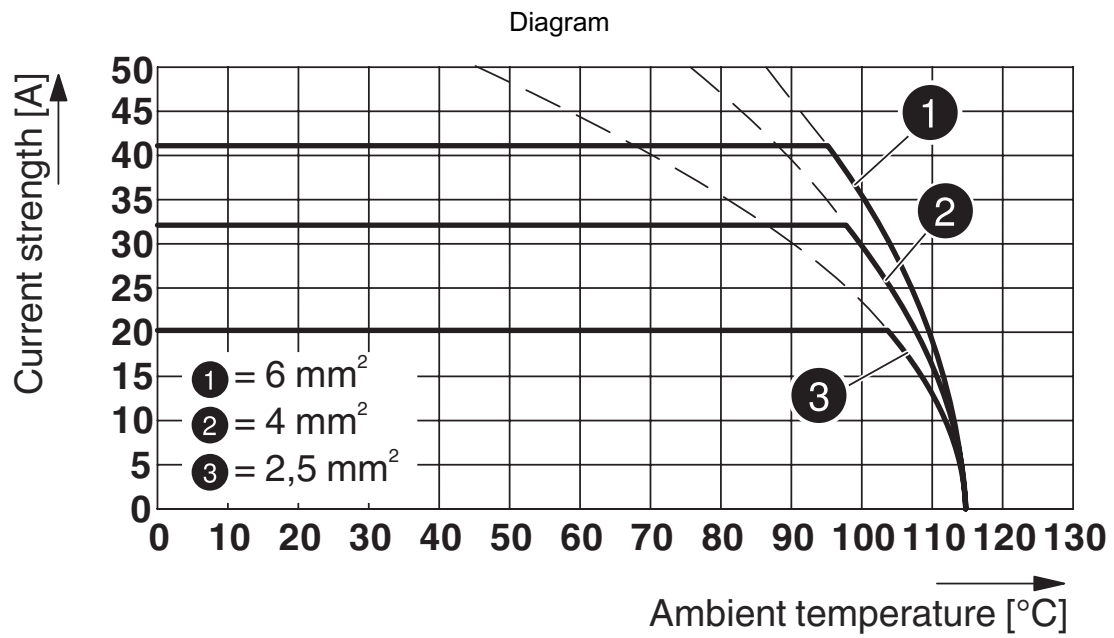


PCB terminal block - PTSPLO-6/1-2X2 2,1 R32



1705081

<https://www.phoenixcontact.com/pc/products/1705081>



Type: PTSPL(O)-6/1-2X2 ... R32

PCB terminal block - PTSPLO-6/1-2X2 2,1 R32



1705081

<https://www.phoenixcontact.com/pc/products/1705081>

Approvals



EAC

Approval ID: B.01687



cULus Recognized

Approval ID: E365246-20141111

	Nominal Voltage U_N	Nominal Current I_N	Cross Section AWG	Cross Section mm^2
		30 A	14 - 10	-

PCB terminal block - PTSPLO-6/1-2X2 2,1 R32



1705081

<https://www.phoenixcontact.com/pc/products/1705081>

Classifications

ECLASS

ECLASS-9.0	27440401
ECLASS-10.0.1	27440401
ECLASS-11.0	27460101

ETIM

ETIM 8.0	EC002643
----------	----------

UNSPSC

UNSPSC 21.0	39121400
-------------	----------

PCB terminal block - PTSPLO-6/1-2X2 2,1 R32



1705081

<https://www.phoenixcontact.com/pc/products/1705081>

Environmental Product Compliance

China RoHS	Environmentally friendly use period: unlimited = EFUP-e
	No hazardous substances above threshold values

PCB terminal block - PTSPLO-6/1-2X2 2,1 R32



1705081

<https://www.phoenixcontact.com/pc/products/1705081>

Accessories

Screwdriver

Screwdriver - SZF 1-0,6X3,5 - 1204517

<https://www.phoenixcontact.com/pc/products/1204517>



Actuation tool, for ST terminal blocks, also suitable for use as a bladed screwdriver, size: 0.6 x 3.5 x 100 mm, 2-component grip, with non-slip grip

Crimping pliers

Crimping pliers - CRIMPFOX 6 - 1212034

<https://www.phoenixcontact.com/pc/products/1212034>



Crimping pliers, for ferrules without insulating collar according to DIN 46228 Part 1 and ferrules with insulating collar according to DIN 46228 Part 4, 0.25 mm² ... 6.0 mm², lateral entry, trapezoidal crimp

Phoenix Contact 2022 © - all rights reserved

<https://www.phoenixcontact.com>

PHOENIX CONTACT GmbH & Co. KG

Flachsmarktstraße 8

D-32825 Blomberg

+49 (0) 5235-3 00

info@phoenixcontact.com