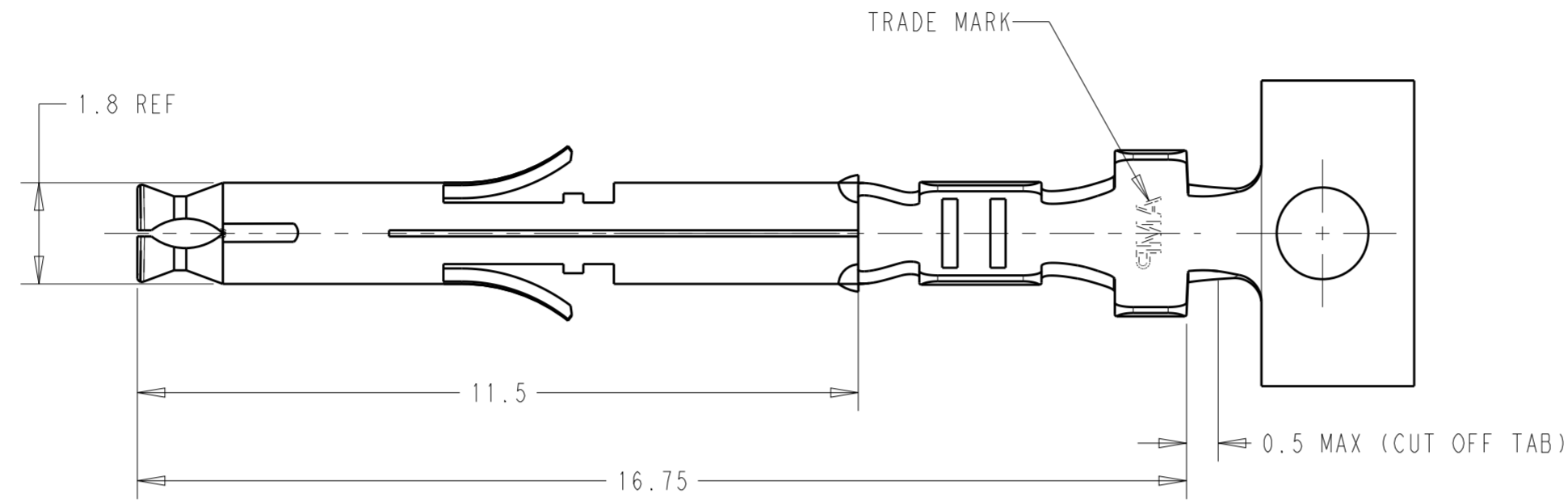
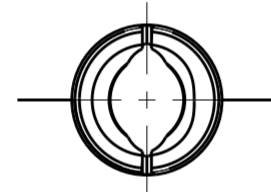


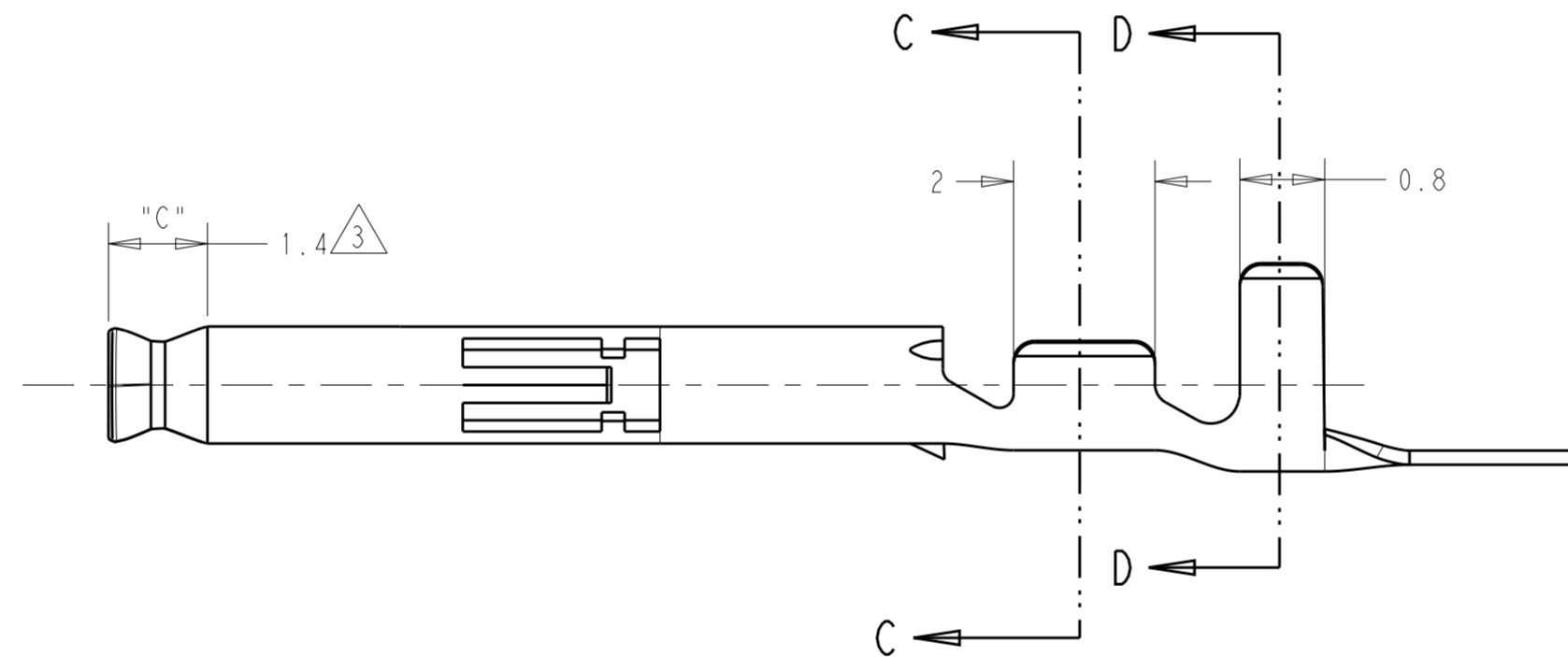
P	LTR	DESCRIPTION	DATE	DWN	APVD
F2		REVISED PER ECR-20-005023	24APR2020	BDA	SW



- 1. APPLICABLE HOUSING: CAP AND PLUG.
- 2. SELECTIVE GOLD PLATED AREA "C" 0.00076mm MIN THK OVER Ni PLATED.



SCALE 12:1



SECTION C-C  
SCALE 15:1

SECTION D-D  
SCALE 15:1

170359, 170360 170363, 170364	(PRE-TIN PHOZ BRO)	170365-4	170361-4
170359, 170360 170363, 170364	(GOLD PLATE) 2	170365-3	170361-3
170359, 170360 170363, 170364	(PRE-TIN BRASS)	170365-1	170361-1
MATING PART NUMBER	FINISH	LOOSE PIECE PART NUMBER	PART NUMBER

THIS DRAWING IS A CONTROLLED DOCUMENT.

DIMENSIONS:	TOLERANCES UNLESS OTHERWISE SPECIFIED:
mm	0 PLC ±0.3
	1 PLC ±0.3
	2 PLC ±
	3 PLC ±
	4 PLC ±
	ANGLES ±
MATERIAL	FINISH
SEE TABLE	SEE TABLE

DWN	-	TE Connectivity	NAME MINI UNIVERSAL MATE-N-LOK SOCKET CONTACT
CHK	-		
APVD	-		
PRODUCT SPEC	108-5138	SIZE	A2
APPLICATION SPEC	114-5050	CAGE CODE	00779
WEIGHT	-	DRAWING NO	C-170361
CUSTOMER DRAWING	SCALE 5:1	SHEET 1 OF 1	REV F2