



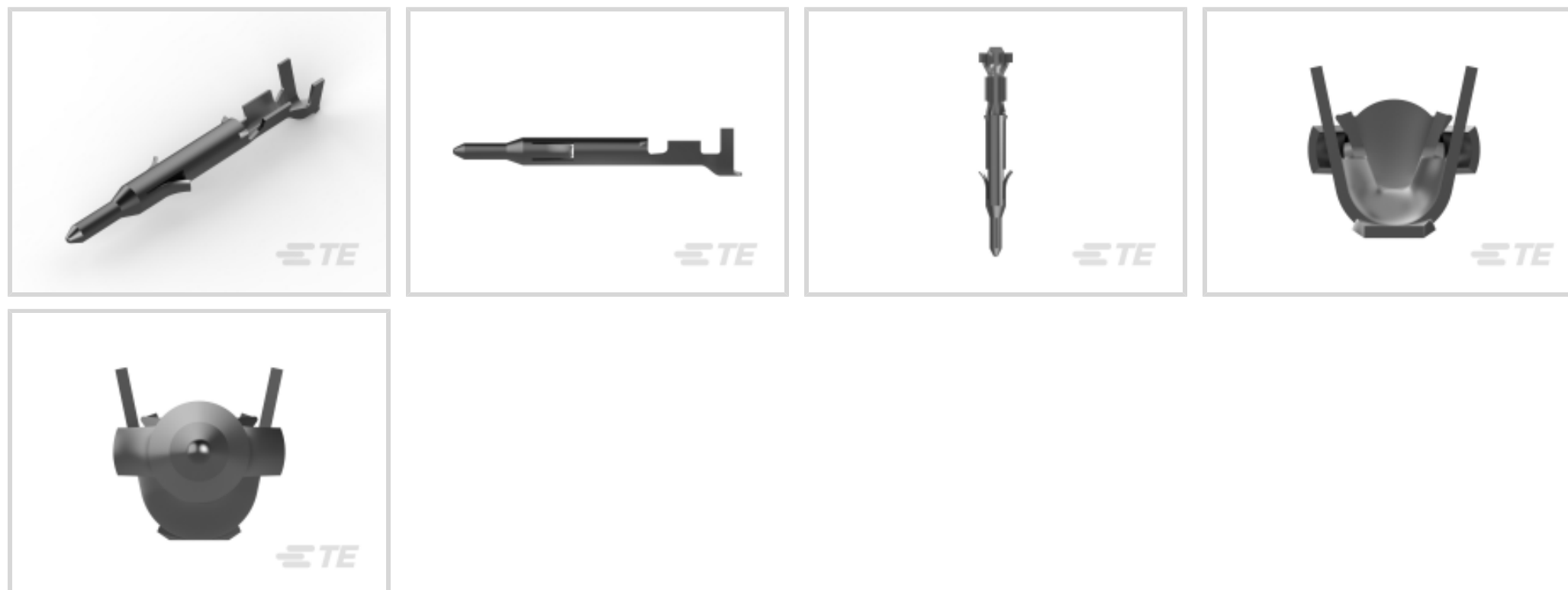
MATE-N-LOK | Mini-Universal MATE-N-LOK

TE Internal #: 170359-4

Pin Contact, Tin, 600 VAC, 600 VDC, 26 – 22 AWG Wire Size, .12 – .35 mm² Wire Size, Crimp, Phosphor Bronze, Power, Mini-Universal MATE-N-LOK

[View on TE.com >](#)

Connectors > Contacts > Connector Contacts



Contact Type: **Pin**

Contact Mating Area Plating Material: **Tin**

Wire Contact Termination Area Plating Material: **Pre-Tin**

Operating Voltage: **600 VDC**

Features

Product Type Features

Discrete Wire Type	Stranded
--------------------	----------

Electrical Characteristics

Operating Voltage	600 VDC
-------------------	---------

Contact Features

Mating Pin Diameter	1 mm[.039 in]
Wire Contact Termination Area Plating Thickness	.8 μm[31.49 μin]
Wire Contact Termination Area Plating Material Finish	Matte
Contact Mating Area Plating Material Thickness	.8 μm[31.49 μin]
Contact Orientation	Straight
Contact Type	Pin
Contact Mating Area Plating Material	Tin
Wire Contact Termination Area Plating Material	Pre-Tin
Contact Retention Within Housing	With
Contact Base Material	Phosphor Bronze
Contact Current Rating (Max)	7 A



Termination Features

Termination Method to Wire & Cable	Crimp
Product Terminates To	Wire & Cable

Mechanical Attachment

Wire Insulation Support	Without
-------------------------	---------

Dimensions

Compatible Insulation Diameter Range	1.19 – 1.75 mm [.047 – .069 in]
Wire Size	.12 – .35 mm ²

Usage Conditions

Operating Temperature Range	-20 – 105 °C [-4 – 221 °F]
-----------------------------	----------------------------

Operation/Application

Circuit Application	Power
---------------------	-------

Industry Standards

Compatible With Agency/Standards Products	CSA, UL
---	---------

Packaging Features

Packaging Quantity	6000
Packaging Method	Reel

Product Compliance

[For compliance documentation, visit the product page on TE.com>](#)

EU RoHS Directive 2011/65/EU	Compliant
EU ELV Directive 2000/53/EC	Compliant
China RoHS 2 Directive MIIT Order No 32, 2016	No Restricted Materials Above Threshold
EU REACH Regulation (EC) No. 1907/2006	Current ECHA Candidate List: JUNE 2024 (241) Candidate List Declared Against: JAN 2024 (240) Does not contain REACH SVHC
Halogen Content	Low Halogen - Br, Cl, F, I < 900 ppm per homogenous material. Also BFR/CFR/PVC Free
Solder Process Capability	Not applicable for solder process capability

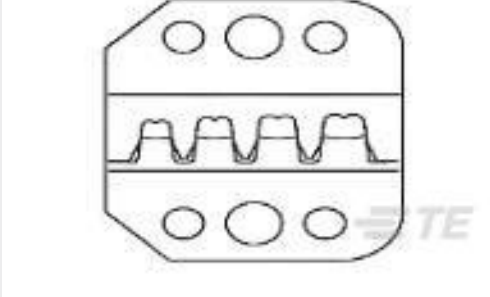
Product Compliance Disclaimer

This information is provided based on reasonable inquiry of our suppliers and represents our current actual knowledge based on the information they provided. This information is subject to change. The part numbers that TE has identified as EU RoHS compliant have a maximum concentration of 0.1% by weight in homogenous materials for lead, hexavalent chromium, mercury, PBB, PBDE, DBP, BBP, DEHP, DIBP, and 0.01% for cadmium, or qualify for an exemption to these limits as defined in the Annexes of Directive 2011/65/EU (RoHS2). Finished electrical and electronic equipment products will be CE marked as required by Directive 2011/65/EU. Components may not be CE marked. Additionally, the part numbers that TE has identified as EU ELV compliant have a maximum concentration of 0.1% by weight in homogenous materials for lead, hexavalent chromium, and mercury, and 0.01% for cadmium, or qualify for an exemption to these limits as defined in the Annexes of Directive 2000/53/EC (ELV). Regarding the REACH Regulation, the information TE provides on SVHC in articles for this part number is based on the latest European Chemicals Agency (ECHA) 'Guidance on requirements for substances in articles' posted at this URL: <https://echa.europa.eu/guidance-documents/guidance-on-reach>

Compatible Parts



TE Part # 91529-1
CCII MINI-UMNL PIN 26-22 ASSY



TE Part # 90758-2
PROCRIMP DIE MINI UNIV MNL



TE Part # 189727-1
EXTRACTION TOOL



TE Part # 455830-1
INSERTION TOOL



TE Part # 770586-1
22P MINI UMNL PLUG HSG



TE Part # 770587-1
24P MINI UMNL PLUG HSG



TE Part # 770582-1
14P MINI UMNL PLUG HSG



TE Part # 770585-1
20P MINI UMNL PLUG HSG



TE Part # 172333-1
MINI UNIVERSAL M-N-L HOUSING



TE Part # 770581-1
12P MINI UMNL PLUG HSG



TE Part # 770580-1
10P MINI UMNL PLUG HSG



TE Part # 770584-1
18P MINI UMNL PLUG HSG



TE Part # 172328-1
MINI UNIVERSAL MATE-N-LOK CAP HOUSING 2P



TE Part # 172330-1
MINI UNIVERSAL MATE-N-LOK CAP HOUSING 4P



TE Part # 172344-1
MINI UNIVERSAL MATE-N-LOK CAP HOUSING 3P



TE Part # 172170-1
12 CIR UNIV M-N-L PLUG



TE Part # 172337-1
MINI UMNL PLUG HOUSING 3P



TE Part # 172171-1
15 CIR UNIV M-N-L PLUG

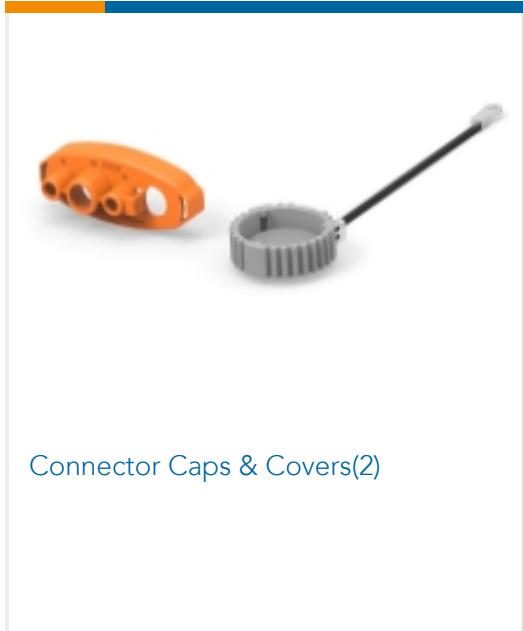


TE Part # 172162-1
12 CIR UNIV M-N-L CAP

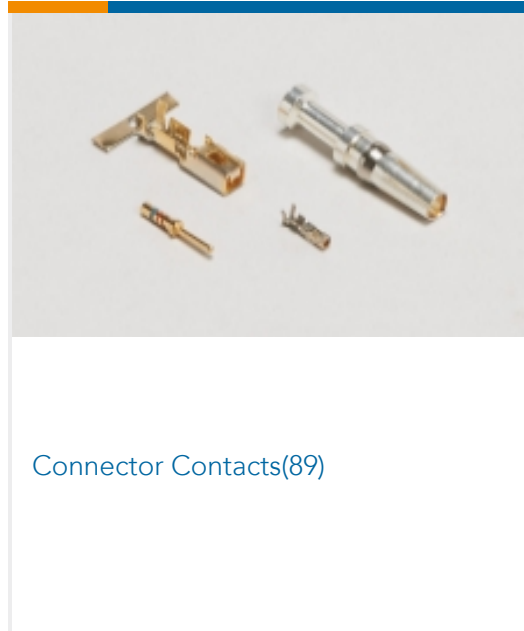


TE Part # 172338-1
MINI UMNL PLUG HOUSING 4P

Also in the Series | Mini-Universal MATE-N-LOK



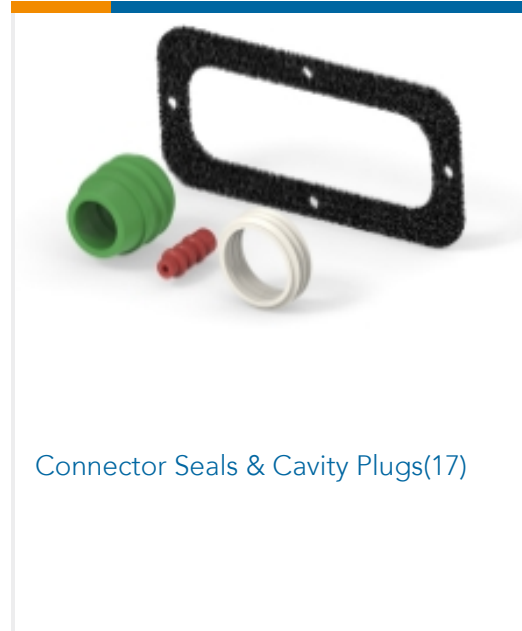
Connector Caps & Covers(2)



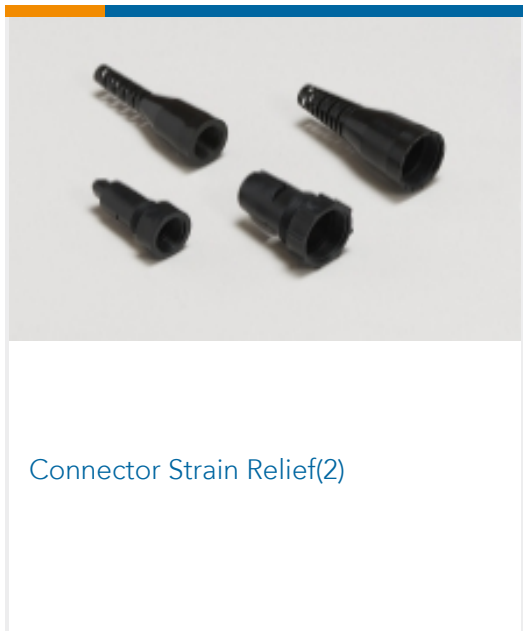
Connector Contacts(89)



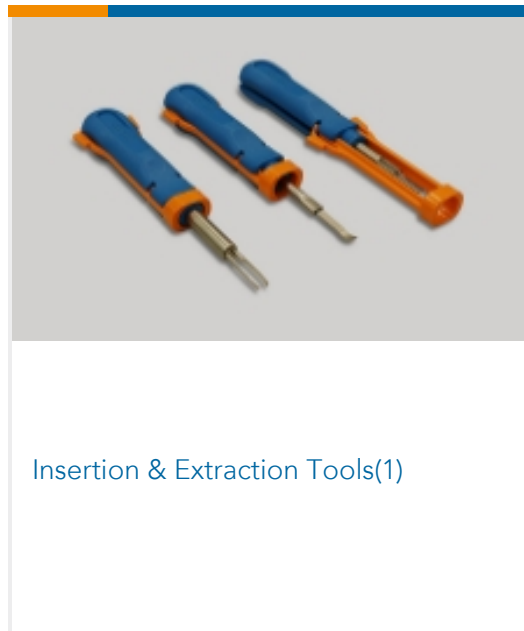
Connector Hardware(4)



Connector Seals & Cavity Plugs(17)



Connector Strain Relief(2)



Insertion & Extraction Tools(1)



Rectangular Power Connectors(197)

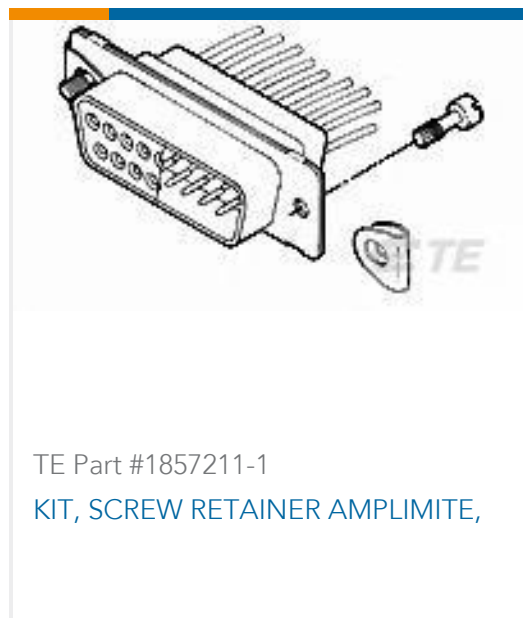
Customers Also Bought



TE Part #1-178127-6
DYNAMIC 3100 REC AND TAB HSG



TE Part #353715-2
DYNAMIC D-3 REC CONT. 3L AU 0.38



TE Part #1857211-1
KIT, SCREW RETAINER AMPLIMITE,



TE Part #171822-9
EIS REC. HSG 9P-NATURAL



TE Part #172161-1
9 CIR UNIV M-N-L CAP



TE Part #170361-4
UNIV. M-N-L SOC.



TE Part #87124-1
LOCKING CLIP CONT ASSY .025 SQ



TE Part #1318774-2
025 ECU PLUG HSG ASY 12P BLACK



Documents

Product Drawings

UNIV. M-N-L PIN

English

CAD Files

3D PDF

3D

Customer View Model

[ENG_CVM_CVM_170359-4_N_c-170359-4-n.2d_dxf.zip](#)

English

Customer View Model

[ENG_CVM_CVM_170359-4_N_c-170359-4-n.3d_igs.zip](#)

English

Customer View Model

[ENG_CVM_CVM_170359-4_N_c-170359-4-n.3d_stp.zip](#)

English

By downloading the CAD file I accept and agree to the [Terms and Conditions](#) of use.

Product Specifications

Crimping of Mini-Universal MATE-N-LOK Contact

Japanese

Application Specification

Japanese

Instruction Sheets

Instruction Sheet (non U.S.)

Japanese

Mini-Universal MATE-N-LOK Connector

Japanese