

PLEASE CHECK WWW.MOLEX.COM FOR LATEST PART INFORMATION

Part Number: [170340-5022](#)
Status: **Active**
Overview: [Impact™ Backplane Connectors and Cable Assemblies](#)
Description: Impact™ 85 Ohm Plus 4 Pair, Right Angle Daughtercard, 1.90 by 1.35mm Pitch, Right Guided, 12 Columns, 144 Circuits, Plated Through Hole Dimension 0.39mm, Lead Free

Documents:

[3D Model](#) [Product Specification PS-170540-999 \(PDF\)](#)
[Drawing \(PDF\)](#) [RoHS Certificate of Compliance \(PDF\)](#)

Agency Certification

UL E29179

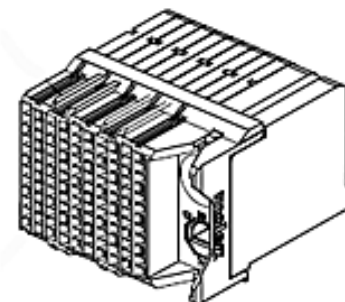
General

Product Family Backplane Connectors
 Series [170340](#)
 Application Conventional, Coplanar, Daughtercard
 Component Type PCB Receptacle
 Overview [Impact™ Backplane Connectors and Cable Assemblies](#)
 Product Name Impact™
 Style N/A
 UPC 884982968691

Physical

Circuits (Loaded) 144
 Circuits (maximum) 144
 Color - Resin Gray
 Durability (mating cycles max) 200
 First Mate / Last Break No
 Flammability 94V-0
 Guide to Mating Part Yes
 Keying to Mating Part None
 Material - Metal Copper Alloy
 Material - Plating Mating Gold
 Material - Plating Termination Nickel, Tin
 Material - Resin High Temperature Thermoplastic
 Net Weight 19.631/g
 Number of Columns 12
 Number of Pairs 4
 Number of Rows 12
 Orientation Right Angle
 PC Tail Length 1.20mm
 PCB Locator No
 PCB Retention None
 PCB Thickness - Recommended 1.00mm
 Packaging Type Tray
 Pitch - Mating Interface 1.35mm, 1.90mm
 Pitch - Termination Interface 1.35mm, 1.90mm
 Plating min - Mating 0.762µm
 Polarized to PCB No
 Stackable No
 Surface Mount Compatible (SMC) No
 Temperature Range - Operating -55°C to +85°C
 Termination Interface: Style Through Hole - Compliant Pin

Electrical



Series

image - Reference only

EU RoHS

ELV and RoHS Compliant

REACH SVHC

Not Reviewed

Low-Halogen Status

Low-Halogen

China RoHS



Need more information on product environmental compliance?

Email productcompliance@molex.com
 For a multiple part number RoHS Certificate of Compliance, [click here](#)

Please visit the [Contact Us](#) section for any non-product compliance questions.

Search Parts in this Series

[170340Series](#)

Mates With

[170335 Impact™ 85 Ohm Plus Vertical Header](#)

Application Tooling | FAQ

Tooling specifications and manuals are found by selecting the products below. Crimp Height Specifications are then contained in the Application Tooling Specification document.

Global

Description	Product #
Impact Daughter Card Extraction Tool	0622024300

Current - Maximum per Contact	0.75A
Data Rate	25.0 Gbps
Impedance	85#
Shield Type	N/A
Shielded	No
Voltage - Maximum	30V AC (RMS)/DC

Material Info

Reference - Drawing Numbers

Product Specification	PS-170540-999
Sales Drawing	SD-170340-0004
Symbol/Footprint Data	SYM-170340-5022

This document was generated on 07/03/2013

PLEASE CHECK WWW.MOLEX.COM FOR LATEST PART INFORMATION