



Terminals & Splices > Quick Disconnects



Quick Disconnect Terminal Type: **Tab**

Wire Size: **.51 – 2.08 mm<sup>2</sup>**

Mating Tab Width: **6.35 mm [.25 in]**

Mating Tab Thickness: **.81 mm [.032 in]**

## Features

### Configuration Features

Connection Capacity	Single
Compatible With Wire & Cable Type	Discrete Wire

### Contact Features

Quick Disconnect Terminal Type	Tab
Mating Tab Width	6.35 mm [.25 in]
Mating Tab Thickness	.81 mm [.032 in]
Terminal Orientation	Straight
Contact Base Material	Brass
Terminal Plating Material	Pre-Tin
Crimp Type	F-Crimp
Barrel Type	Open

### Termination Features

Product Terminates To	Wire & Cable
-----------------------	--------------

### Mechanical Attachment

--	--



Wire Insulation Support	With
Mating Retention Type	Locking Lance

### Dimensions

Terminal Material Thickness	.4 mm[.015 in]
Product Length	26.4 mm[1.039 in]
Compatible Insulation Diameter Range	2.1 – 3.4 mm[.083 – .134 in]
Wire Size	.51 – 2.08 mm <sup>2</sup>

### Usage Conditions

Insulation Option	Uninsulated
Operating Temperature Range	-40 – 110 °C[-40 – 230 °F]

### Packaging Features

Packaging Quantity	4000
Packaging Method	Strip/Reel

### Product Compliance

[For compliance documentation, visit the product page on TE.com>](#)

EU RoHS Directive 2011/65/EU	Compliant
EU ELV Directive 2000/53/EC	Compliant
China RoHS 2 Directive MIIT Order No 32, 2016	No Restricted Materials Above Threshold
EU REACH Regulation (EC) No. 1907/2006	Current ECHA Candidate List: JUNE 2024 (241) Candidate List Declared Against: JAN 2024 (240) Does not contain REACH SVHC
Halogen Content	Low Halogen - Br, Cl, F, I < 900 ppm per homogenous material. Also BFR/CFR/PVC Free
Solder Process Capability	Not applicable for solder process capability

#### Product Compliance Disclaimer

This information is provided based on reasonable inquiry of our suppliers and represents our current actual knowledge based on the information they provided. This information is subject to change. The part numbers that TE has identified as EU RoHS compliant have a maximum concentration of 0.1% by weight in homogenous materials for lead, hexavalent chromium, mercury, PBB, PBDE, DBP, BBP, DEHP, DIBP, and 0.01% for cadmium, or qualify for an exemption to these limits as defined in the Annexes of Directive 2011/65/EU (RoHS2). Finished electrical and electronic equipment products will be CE marked as required by Directive 2011/65/EU. Components may not be CE marked. Additionally, the part numbers that TE has identified as EU ELV compliant have a maximum concentration of 0.1% by weight in homogenous materials for lead, hexavalent chromium, and mercury, and 0.01% for cadmium, or qualify for an exemption to these limits as defined in the Annexes of Directive 2000/53/EC (ELV). Regarding the REACH Regulation, the information TE provides on SVHC in articles for this part number is based on the latest European Chemicals Agency (ECHA) 'Guidance on

requirements for substances in articles' posted at this URL: <https://echa.europa.eu/guidance-documents/guidance-on-reach>

## Compatible Parts



REPRESENTATION ONLY

TE Part # 720725-1  
 DAHT 250 FASTIN-ON TAB REC 18-14 ASSY



TE Part # 480004-5  
 FF 250 TAB HSG 6P NYLON NAT



TE Part # 163008  
 FF 250 TAB HSG 8P NYLON CLEAR



TE Part # 280099  
 FF 250 TAB HSG 8P NYLON CLEAR



TE Part # 171897-1  
 FF 250 REC HSG 6P NYLON NAT



TE Part # 172137-1  
 FF 250 REC HSG 10P NYLON NAT



TE Part # 180906  
 FF 250 TAB HSG 6P NYLON NAT



TE Part # 178025-1  
 FF 250 CAP HSG DBL 6P NAT



TE Part # 180901  
 FF 250 TAB HSG 4P NYLON NAT



TE Part # 172133-1  
 FF 250 CAP HSG 4P NYLON NAT



TE Part # 180940  
 FF 250 TAB HSG 3P NYLON NAT



TE Part # 172135-1  
 FF 250 REC HSG 8P NYLON NAT



TE Part # 180906-5  
 FF 250 TAB HSG 6P NYLON BLACK



TE Part # 172129-1  
 250 FASTON HSG, CAP 2P NATURAL



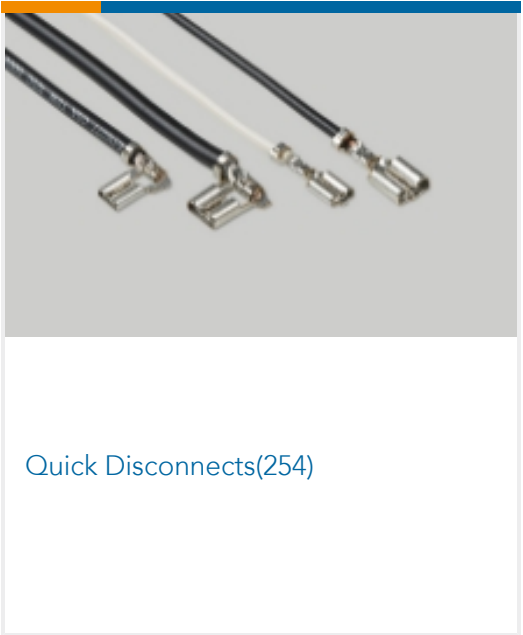
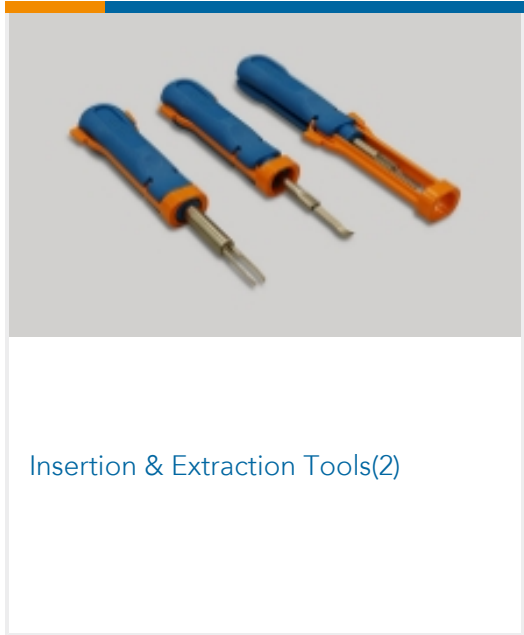
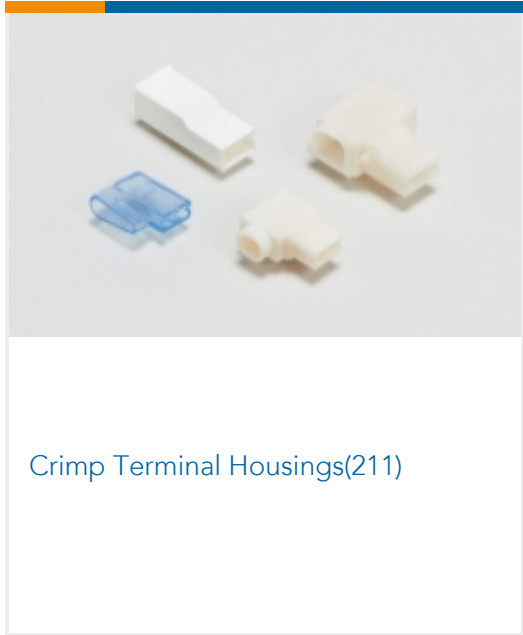
TE Part # 180924  
 FF 250 TAB HSG 2P NYLON NAT



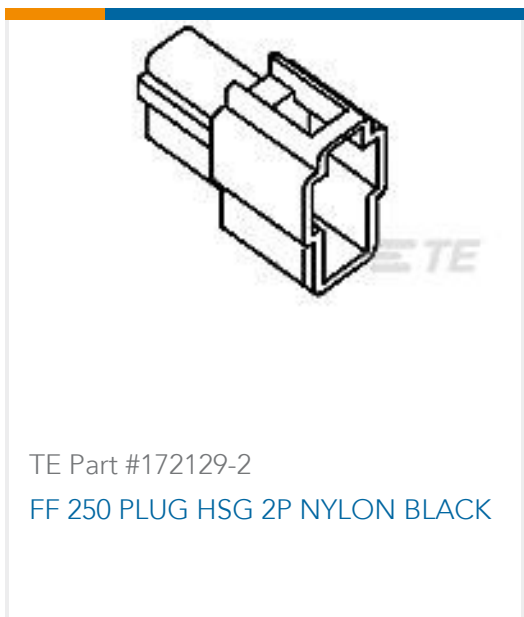
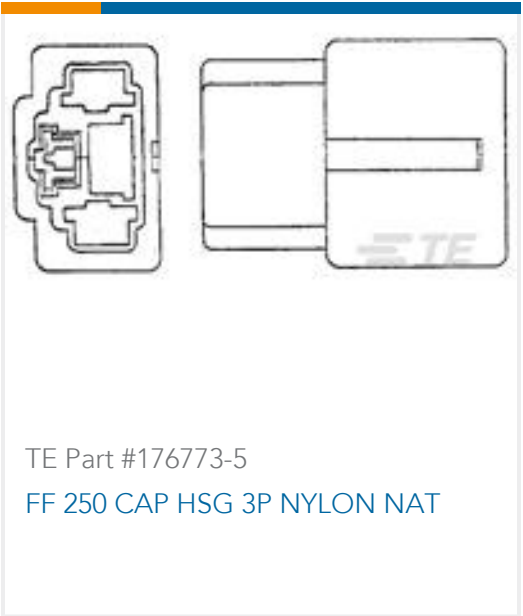
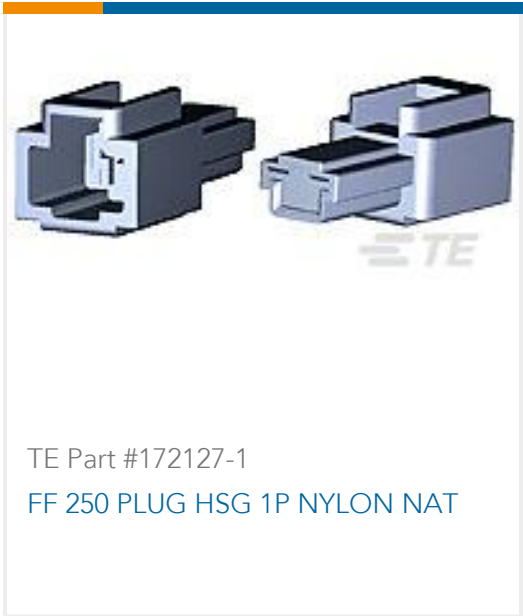
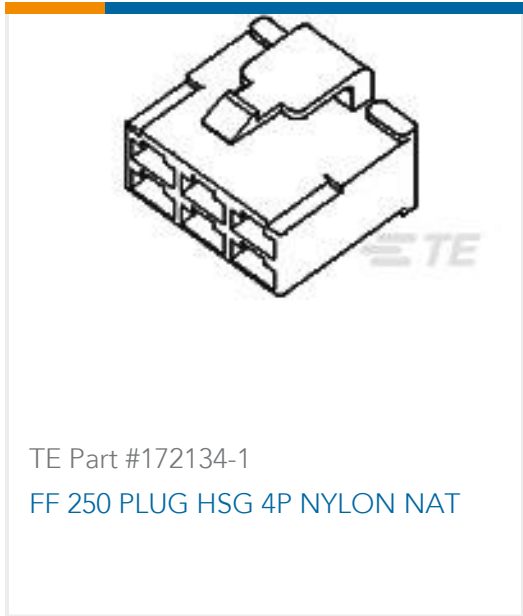
TE Part # 926097-1  
 FF 250 TAB HSG 3P NYLON NAT



Also in the Series | **FASTIN-FASTON 250**



Customers Also Bought





## Documents

### Product Drawings

#### FF 250 TAB 20-14AWG PTBR WITHOUT LATCH

English

### CAD Files

#### 3D PDF

3D

#### Customer View Model

[ENG\\_CVM\\_CVM\\_170340-3\\_M.2d\\_dxf.zip](#)

English

#### Customer View Model

[ENG\\_CVM\\_CVM\\_170340-3\\_M.3d\\_igs.zip](#)

English

#### Customer View Model

[ENG\\_CVM\\_CVM\\_170340-3\\_M.3d\\_stp.zip](#)

English

By downloading the CAD file I accept and agree to the [Terms and Conditions](#) of use.

### Product Specifications

#### Crimping of 250 Series Tab and Receptacle Contacts

Japanese

#### Application Specification

Japanese

#### Application Specification

Japanese

#### Crimping of 250 Series Tab and Receptacle Contacts

Japanese

### Instruction Sheets

#### Customer Manual (non U.S.)

Japanese

#### "250" Series, Housing Lance Connector

Japanese