

# PCB terminal block - PTQ 0,3/ 2-2,5-L THR R32



1703375

<https://www.phoenixcontact.com/pc/products/1703375>

Please be informed that the data shown in this PDF document is generated from our Online Catalog. Please find the complete data in the user documentation. Our General Terms of Use for Downloads are valid.



PCB terminal block, nominal current: 4 A, rated voltage (III/2): 160 V, nominal cross section: 0.34 mm<sup>2</sup>, number of potentials: 2, number of rows: 1, number of positions per row: 2, product range: PTQ 0,3/..-THR, pitch: 2.5 mm, connection method: Displacement connection, mounting: THR soldering, conductor/PCB connection direction: 0 °, color: black, Pin layout: Zigzag pinning W, Solder pin [P]: 2 mm, number of solder pins per potential: 1, type of packaging: 32 mm wide tape

## Your advantages

- Connection without conductor pretreatment for huge time savings
- Finger-operated QUICKON insulation displacement connection enables repeated conductor connection
- Designed for integration into the SMT soldering process
- Supplied in tape-on-reel packing according to IEC 60286-3 for automated mounting
- Anti-rotation pin supports positioning on the PCB
- Satisfies CAT5 requirements in accordance with EN 50173 and ISO/IEC 11801

## Commercial Data

Item number	1703375
Packing unit	250 pc
Minimum order quantity	250 pc
Note	Made to Order (non-returnable)
Product Key	AAKKAA
GTIN	4046356649087
Weight per Piece (including packing)	2.704 g
Weight per Piece (excluding packing)	2.566 g
Customs tariff number	85369010
Country of origin	PL

# PCB terminal block - PTQ 0,3/ 2-2,5-L THR R32



1703375

<https://www.phoenixcontact.com/pc/products/1703375>

## Technical Data

### Product properties

Type	PC termination block
Product line	COMBICON Terminals XS
Product type	Printed circuit board terminal
Number of positions	2
Pitch	2.5 mm
Number of connections	2
Number of rows	1
Number of potentials	2
Pin layout	Zigzag pinning W
Solder pins per potential	1

### Electrical properties

Nominal current $I_N$	4 A
Nominal voltage $U_N$	160 V
Degree of pollution	3
Rated voltage (III/3)	160 V
Rated surge voltage (III/3)	2.5 kV
Rated voltage (III/2)	160 V
Rated surge voltage (III/2)	2.5 kV

### Connection data

#### Connection technology

Type	PC termination block
Nominal cross section	0.34 mm <sup>2</sup>

#### Conductor connection

Connection method	Displacement connection
Conductor cross section solid	0.14 mm <sup>2</sup> ... 0.34 mm <sup>2</sup>
Conductor cross section flexible	0.14 mm <sup>2</sup> ... 0.34 mm <sup>2</sup>
Conductor cross section AWG	26 ... 22

### Mounting

Mounting type	THR soldering
Pin layout	Zigzag pinning W

#### Processing notes

Process	Reflow/wave soldering
Moisture Sensitive Level	MSL 1
Classification temperature $T_c$	260 °C
Solder cycles in the reflow	3

# PCB terminal block - PTQ 0,3/ 2-2,5-L THR R32

1703375

<https://www.phoenixcontact.com/pc/products/1703375>

## Material specifications

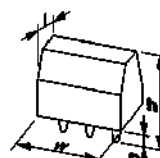
### Material data - contact

Note	WEEE/RoHS-compliant, free of whiskers according to IEC 60068-2-82/JEDEC JESD 201
Contact material	Cu alloy
Surface characteristics	hot-dip tin-plated
Metal surface terminal point (top layer)	Tin (3 - 5 µm Sn)
Metal surface terminal point (middle layer)	Nickel (1.3 - 3 µm Ni)
Metal surface soldering area (top layer)	Tin (3 - 5 µm Sn)
Metal surface soldering area (middle layer)	Nickel (1.3 - 3 µm Ni)

### Material data - housing

Housing color	black (RAL 9005)
Insulating material	LCP
Insulating material group	IIIa
CTI according to IEC 60112	175
Flammability rating according to UL 94	V0

## Dimensions

Dimensional drawing	
Pitch	2.5 mm
Width [w]	7 mm
Height [h]	8 mm
Length [l]	17.55 mm
Installed height	8 mm
Solder pin length [P]	2 mm

### PCB design

Pin spacing	2.5 mm
-------------	--------

## Electrical tests

### Air clearances and creepage distances |

Specification	IEC 60664-1:2007-04
Insulating material group	IIIa
Comparative tracking index (IEC 60112)	CTI 175
Rated insulation voltage (III/3)	160 V
Rated surge voltage (III/3)	2.5 kV
minimum clearance value - non-homogenous field (III/3)	1.5 mm
minimum creepage distance (III/3)	2.5 mm

# PCB terminal block - PTQ 0,3/ 2-2,5-L THR R32



1703375

<https://www.phoenixcontact.com/pc/products/1703375>

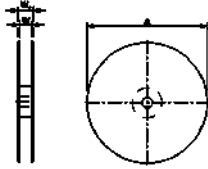
Rated insulation voltage (III/2)	160 V
Rated surge voltage (III/2)	2.5 kV
minimum clearance value - non-homogenous field (III/2)	1.5 mm
minimum creepage distance (III/2)	1.6 mm
Rated insulation voltage (II/2)	200 V
Rated surge voltage (II/2)	2.5 kV
minimum clearance value - non-homogenous field (II/2)	1.5 mm
minimum creepage distance (II/2)	2 mm

## Environmental and real-life conditions

### Ambient conditions

Ambient temperature (operation)	-40 °C ... 100 °C (Depending on the current carrying capacity/derating curve)
Ambient temperature (storage/transport)	-40 °C ... 70 °C
Relative humidity (storage/transport)	30 % ... 70 %
Ambient temperature (assembly)	-5 °C ... 100 °C

## Packaging specifications

Dimensional drawing	
Type of packaging	32 mm wide tape
[W] tape width	32 mm
[W2] coil overall dimension	38.4 mm
[A] coil diameter	330 mm
Outer packaging type	Transparent-Bag
ESD level	(D) electrostatically conductive
Specification	DIN EN 61340-5-1 (VDE 0300-5-1): 2008-07

# PCB terminal block - PTQ 0,3/ 2-2,5-L THR R32

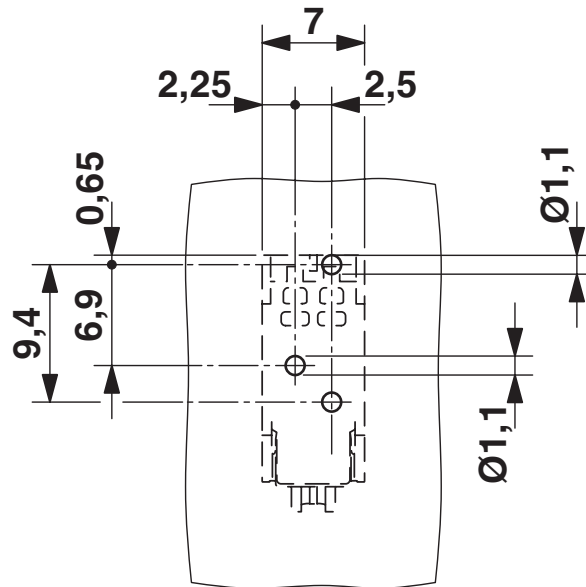


1703375

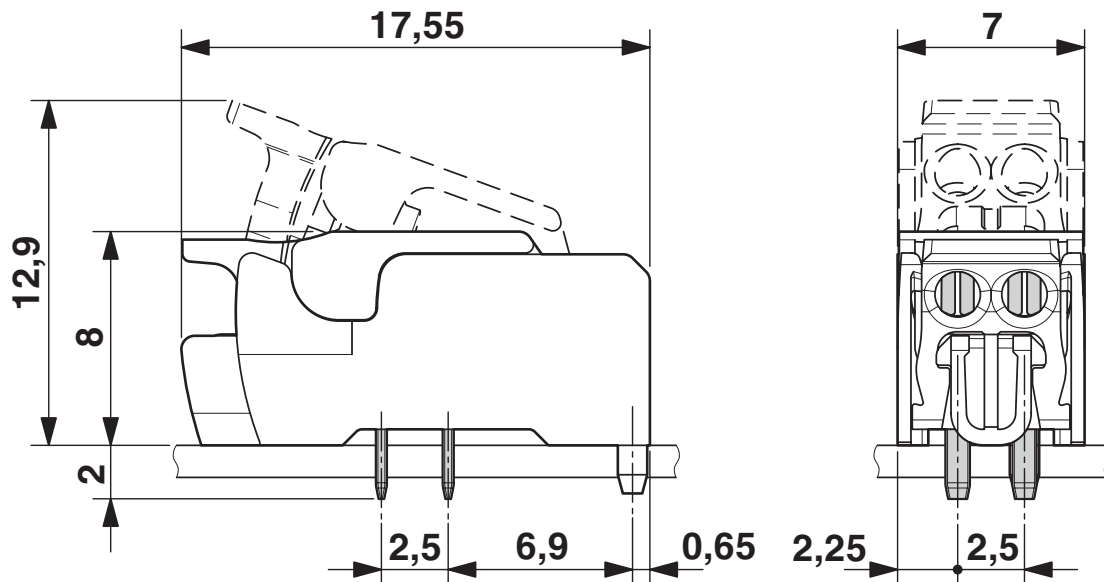
<https://www.phoenixcontact.com/pc/products/1703375>

## Drawings

Drilling plan/solder pad geometry



Dimensional drawing



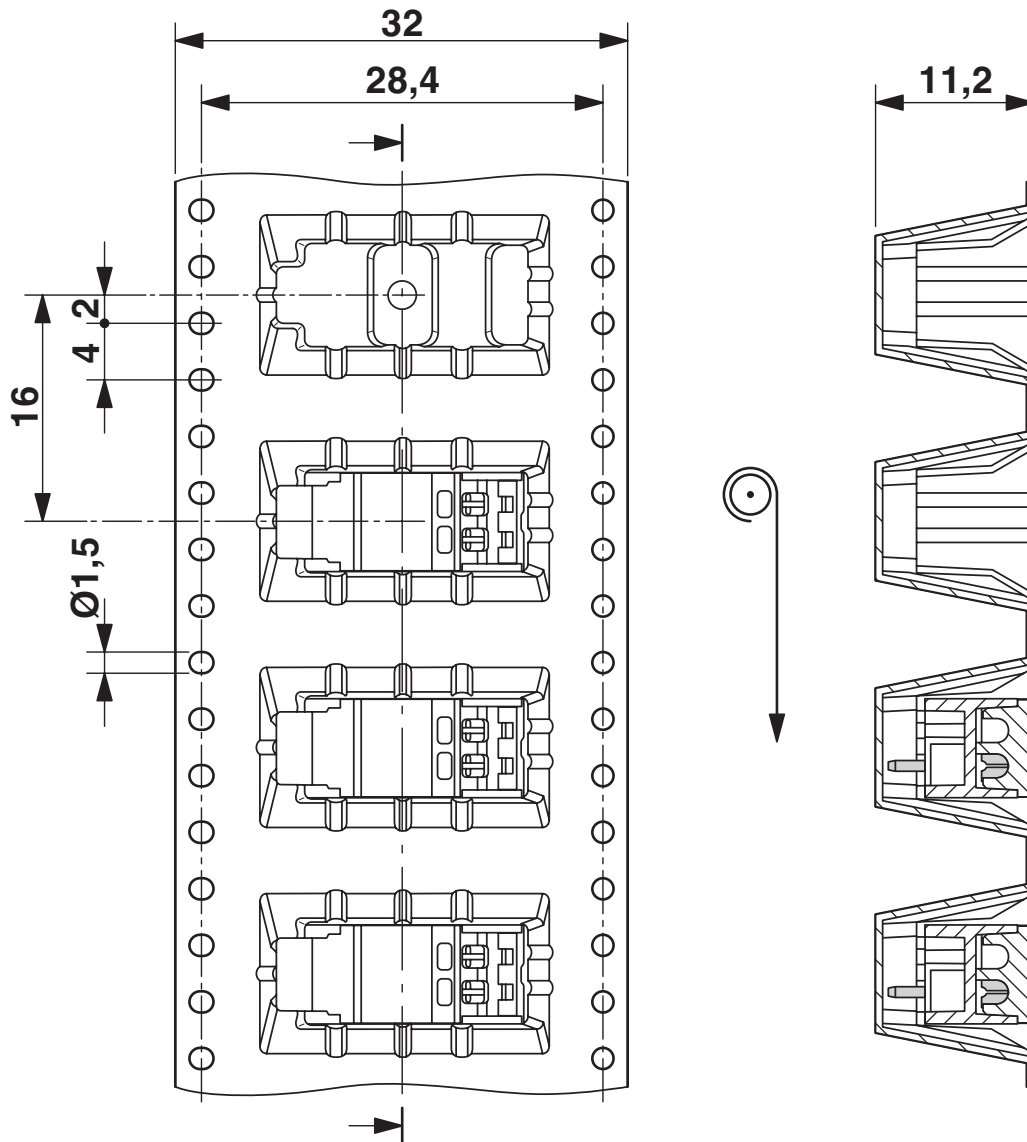
# PCB terminal block - PTQ 0,3/ 2-2,5-L THR R32

1703375

<https://www.phoenixcontact.com/pc/products/1703375>



Dimensional drawing



# PCB terminal block - PTQ 0,3/ 2-2,5-L THR R32





1703375


<https://www.phoenixcontact.com/pc/products/1703375>

## Approvals

 <b>IECEE CB Scheme</b> Approval ID: DE1-55832				
	Nominal Voltage $U_N$	Nominal Current $I_N$	Cross Section AWG	Cross Section $\text{mm}^2$
	130 V	4 A	-	- 0.2

 <b>EAC</b> Approval ID: B.01687				
--	--	--	--	--

 <b>cULus Recognized</b> Approval ID: E60425-20110108				
	Nominal Voltage $U_N$	Nominal Current $I_N$	Cross Section AWG	Cross Section $\text{mm}^2$
Use group B	150 V	2 A	24	-

 <b>VDE Gutachten mit Fertigungsüberwachung</b> Approval ID: 40034315				
	Nominal Voltage $U_N$	Nominal Current $I_N$	Cross Section AWG	Cross Section $\text{mm}^2$
	130 V	4 A	-	- 0.2

# PCB terminal block - PTQ 0,3/ 2-2,5-L THR R32



1703375

<https://www.phoenixcontact.com/pc/products/1703375>

## Classifications

### ECLASS

ECLASS-9.0	27440401
ECLASS-10.0.1	27440401
ECLASS-11.0	27460101

### ETIM

ETIM 8.0	EC002643
----------	----------

### UNSPSC

UNSPSC 21.0	39121400
-------------	----------

# PCB terminal block - PTQ 0,3/ 2-2,5-L THR R32



1703375

<https://www.phoenixcontact.com/pc/products/1703375>

## Environmental Product Compliance

China RoHS	Environmentally friendly use period: unlimited = EFUP-e
	No hazardous substances above threshold values

# PCB terminal block - PTQ 0,3/ 2-2,5-L THR R32



1703375

<https://www.phoenixcontact.com/pc/products/1703375>

## Accessories

### PCB terminal block

PCB terminal block - SAMPLE PTQ 0,3/ 2-2,5 THR R32 - 1799099

<https://www.phoenixcontact.com/pc/products/1799099>



PCB terminal block, nominal current: 4 A, rated voltage (III/2): 160 V, nominal cross section: 0.34 mm<sup>2</sup>, number of potentials: 2, number of rows: 1, number of positions per row: 2, product range: PTQ 0,3/..-THR, pitch: 2.5 mm, connection method: Displacement connection, mounting: THR soldering, conductor/PCB connection direction: 0 °, color: black, number of solder pins per potential: 1, type of packaging: 32 mm wide tape

---

Phoenix Contact 2022 © - all rights reserved  
<https://www.phoenixcontact.com>

PHOENIX CONTACT GmbH & Co. KG  
Flachsmarktstraße 8  
D-32825 Blomberg  
+49 (0) 5235-3 00  
[info@phoenixcontact.com](mailto:info@phoenixcontact.com)