

**PLEASE CHECK WWW.MOLEX.COM FOR LATEST PART INFORMATION**

**Part Number:** [170335-5607](#)  
**Status:** **Active**  
**Overview:** Impact™ Backplane Connectors and Cable Assemblies  
**Description:** Impact™ 85 Ohm Plus 4 Pair Vertical Header, Right Guide, Left Endwall, 16 Columns, 192 Circuits, Pin Length 4.90mm, Plated Through Hole Dimension 0.39mm, Lead-Free

**Documents:**

[Drawing \(PDF\)](#) [RoHS Certificate of Compliance \(PDF\)](#)  
[Product Specification PS-170540-999 \(PDF\)](#)

**Agency Certification**

UL E29179

**General**

Product Family Backplane Connectors  
 Series [170335](#)  
 Application Conventional, Mezzanine  
 Component Type PCB Header  
 Overview [Impact™ Backplane Connectors and Cable Assemblies](#)  
 Product Name Impact™  
 Style N/A  
 UPC 887191146881

**Physical**

Circuits (Loaded) 192  
 Circuits (maximum) 192  
 Color - Resin Gray  
 Durability (mating cycles max) 200  
 First Mate / Last Break No  
 Flammability 94V-0  
 Guide to Mating Part Yes  
 Keying to Mating Part None  
 Material - Metal High Performance Alloy (HPA)  
 Material - Plating Mating Gold  
 Material - Plating Termination Matte Tin  
 Material - Resin High Temperature Thermoplastic  
 Net Weight 8.470/g  
 Number of Columns 16  
 Number of Pairs 4  
 Number of Rows 12  
 Orientation Vertical  
 PC Tail Length 1.40mm  
 PCB Locator No  
 PCB Retention None  
 PCB Thickness - Recommended 1.00mm  
 Packaging Type Tray  
 Pitch - Mating Interface 1.35mm, 1.90mm  
 Pitch - Termination Interface 1.35mm, 1.90mm  
 Plating min - Mating 0.762µm  
 Polarized to PCB No  
 Stackable No  
 Surface Mount Compatible (SMC) No  
 Temperature Range - Operating -55°C to +85°C  
 Termination Interface: Style Through Hole - Compliant Pin

**Electrical**

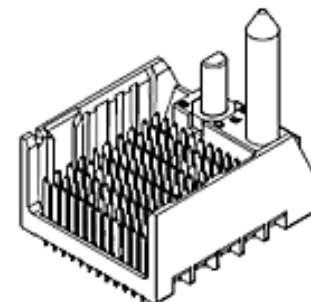


image - Reference only

Series

**EU RoHS**

**ELV and RoHS Compliant**

**REACH SVHC**

Not Reviewed

**Low-Halogen Status**

**Low-Halogen**

**China RoHS**



**Need more information on product environmental compliance?**

Email [productcompliance@molex.com](mailto:productcompliance@molex.com)  
 For a multiple part number RoHS Certificate of Compliance, [click here](#)

Please visit the [Contact Us](#) section for any non-product compliance questions.

**Search Parts in this Series**

[170335Series](#)

**Mates With**

170340 Impact™ 85 Ohm Plus Right Angle Receptacle, 170390 Impact™ 85 Ohm Plus Vertical Mezzanine Receptacle

**Application Tooling | FAQ**

*Tooling specifications and manuals are found by selecting the products below. Crimp Height Specifications are then contained in the Application Tooling Specification document.*

**Global**

Description	Product #
Impact™ Insertion Tool	<a href="#">0621005850</a>
Backplane Header Removal Tool for GbX-U™, I-Trac™, Impact™, or TinMan	<a href="#">0621009610</a>
Impact™ Backplane Press-In Tool	<a href="#">0622018826</a>

Current - Maximum per Contact	0.75A
Data Rate	25.0 Gbps
Impedance	85#
Shield Type	N/A
Shielded	No
Voltage - Maximum	30V AC (RMS)/DC

### **Material Info**

### **Reference - Drawing Numbers**

Product Specification	PS-170540-999
Sales Drawing	SD-170335-0003
Symbol/Footprint Data	SYM-170335-5607

This document was generated on 07/03/2013

**PLEASE CHECK [WWW.MOLEX.COM](http://WWW.MOLEX.COM) FOR LATEST PART INFORMATION**