

PLEASE CHECK WWW.MOLEX.COM FOR LATEST PART INFORMATION

Part Number: [170335-1605](#)
Status: **Active**
Overview: Impact™ Backplane Connectors and Cable Assemblies
Description: Impact™ 85 Ohm Plus 4 Pair Vertical Header, Unguided, Open End Wall, 16 Columns, 192 Circuits, Pin Length 5.50mm, Plated Through Hole Dimension 0.46mm, Lead-Free

Documents:

[Drawing \(PDF\)](#) [RoHS Certificate of Compliance \(PDF\)](#)
[Product Specification PS-170540-999 \(PDF\)](#)

Agency Certification

UL E29179

General

Product Family Backplane Connectors
 Series [170335](#)
 Application Conventional, Mezzanine
 Component Type PCB Header
 Overview [Impact™ Backplane Connectors and Cable Assemblies](#)
 Product Name Impact™
 Style N/A
 UPC 887191152929

Physical

Circuits (Loaded) 192
 Circuits (maximum) 192
 Color - Resin Gray
 Durability (mating cycles max) 200
 First Mate / Last Break No
 Flammability 94V-0
 Guide to Mating Part No
 Keying to Mating Part None
 Material - Metal High Performance Alloy (HPA)
 Material - Plating Mating Gold
 Material - Plating Termination Matte Tin
 Material - Resin High Temperature Thermoplastic
 Net Weight 5.385/g
 Number of Columns 16
 Number of Pairs 4
 Number of Rows 12
 Orientation Vertical
 PC Tail Length 1.40mm
 PCB Locator No
 PCB Retention None
 PCB Thickness - Recommended 1.00mm
 Packaging Type Tray
 Pitch - Mating Interface 1.35mm, 1.90mm
 Pitch - Termination Interface 1.35mm, 1.90mm
 Plating min - Mating 0.762µm
 Polarized to PCB No
 Stackable No
 Surface Mount Compatible (SMC) No
 Temperature Range - Operating -55°C to +85°C
 Termination Interface: Style Through Hole - Compliant Pin

Electrical

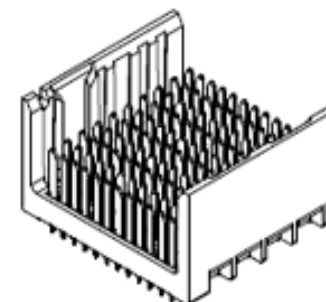


image - Reference only

Series

EU RoHS

ELV and RoHS Compliant

REACH SVHC

Not Reviewed

Low-Halogen Status

Low-Halogen

China RoHS



Need more information on product environmental compliance?

Email productcompliance@molex.com
 For a multiple part number RoHS Certificate of Compliance, [click here](#)

Please visit the [Contact Us](#) section for any non-product compliance questions.

Search Parts in this Series

[170335Series](#)

Mates With

170340 Impact™ 85 Ohm Plus Right Angle Receptacle, 170390 Impact™ 85 Ohm Plus Vertical Mezzanine Receptacle

Application Tooling | FAQ

Tooling specifications and manuals are found by selecting the products below. Crimp Height Specifications are then contained in the Application Tooling Specification document.

Global

Description	Product #
Impact™ Insertion Tool	0621005850
Backplane Header Removal Tool for GbX-U™, I-Trac™, Impact™, or TinMan	0621009610
Impact™ Backplane Press-In Tool	0622018826

Current - Maximum per Contact	0.75A
Data Rate	25.0 Gbps
Impedance	85#
Shield Type	N/A
Shielded	No
Voltage - Maximum	30V AC (RMS)/DC

Material Info

Reference - Drawing Numbers

Product Specification	PS-170540-999
Sales Drawing	SD-170335-0001
Symbol/Footprint Data	SYM-170335-1605

This document was generated on 07/03/2013

PLEASE CHECK WWW.MOLEX.COM FOR LATEST PART INFORMATION