

**PLEASE CHECK WWW.MOLEX.COM FOR LATEST PART INFORMATION**

**Part Number:** [170335-1407](#)  
**Status:** **Active**  
**Overview:** Impact™ Backplane Connectors and Cable Assemblies  
**Description:** Impact™ 85 Ohm Plus 4 Pair Vertical Header, Unguided, Open End Wall, 14 Columns, 168 Circuits, Pin Length 4.90mm, Plated Through Hole Dimension 0.39mm, Lead-Free

**Documents:**

[Drawing \(PDF\)](#) [RoHS Certificate of Compliance \(PDF\)](#)  
[Product Specification PS-170540-999 \(PDF\)](#)

**General**

Product Family	Backplane Connectors
Series	<a href="#">170335</a>
Application	Conventional, Mezzanine
Component Type	PCB Header
Overview	<a href="#">Impact™ Backplane Connectors and Cable Assemblies</a>
Product Name	Impact™
Style	N/A
UPC	887191300412

**Physical**

Circuits (Loaded)	168
Circuits (maximum)	168
Color - Resin	Gray
Durability (mating cycles max)	200
First Mate / Last Break	No
Guide to Mating Part	No
Keying to Mating Part	None
Material - Metal	High Performance Alloy (HPA)
Material - Plating Mating	Gold
Material - Plating Termination	Matte Tin
Material - Resin	High Temperature Thermoplastic
Net Weight	4.711/g
Number of Columns	14
Number of Pairs	4
Number of Rows	12
Orientation	Vertical
PC Tail Length	1.40mm
PCB Locator	No
PCB Retention	None
PCB Thickness - Recommended	1.00mm
Packaging Type	Tray
Pitch - Mating Interface	1.35mm, 1.90mm
Pitch - Termination Interface	1.35mm, 1.90mm
Plating min - Mating	0.762µm
Polarized to PCB	No
Stackable	No
Surface Mount Compatible (SMC)	No
Temperature Range - Operating	-55°C to +85°C
Termination Interface: Style	Through Hole - Compliant Pin

**Electrical**

Current - Maximum per Contact	0.75A
Data Rate	25.0 Gbps
Impedance	85#
Shield Type	N/A

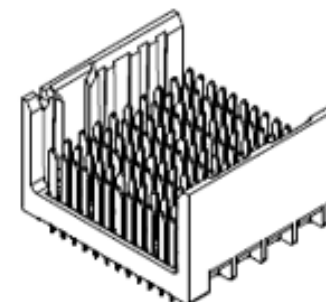


image - Reference only

Series

**EU RoHS**

**ELV and RoHS  
Compliant**

**REACH SVHC**

**Contains SVHC: No  
Low-Halogen Status  
Low-Halogen**

**China RoHS**



**Need more information on product  
environmental compliance?**

Email [productcompliance@molex.com](mailto:productcompliance@molex.com)  
 For a multiple part number RoHS Certificate of Compliance, [click here](#)

Please visit the [Contact Us](#) section for any non-product compliance questions.

**Search Parts in this Series**

[170335Series](#)

**Mates With**

170340 Impact™ 85 Ohm Plus Right Angle Receptacle, 170390 Impact™ 85 Ohm Plus Vertical Mezzanine Receptacle

**Application Tooling | FAQ**

*Tooling specifications and manuals are found by selecting the products below. Crimp Height Specifications are then contained in the Application Tooling Specification document.*

**Global**

Description	Product #
Impact™ Insertion Tool	<a href="#">0621005850</a>
Backplane Header Removal Tool for GbX-U™, I-Trac™, Impact™, or TinMan	<a href="#">0621009610</a>
Impact™ Backplane Press-In Tool	<a href="#">0622018836</a>

Shielded  
Voltage - Maximum

No  
30V AC (RMS)/DC

**Material Info**

**Reference - Drawing Numbers**

Product Specification  
Sales Drawing  
Symbol/Footprint Data

PS-170540-999  
SD-170335-0001  
SYM-170335-1407

This document was generated on 07/03/2013

**PLEASE CHECK [WWW.MOLEX.COM](http://WWW.MOLEX.COM) FOR LATEST PART INFORMATION**