

PLEASE CHECK WWW.MOLEX.COM FOR LATEST PART INFORMATION

Part Number: [170335-1207](#)
Status: **Active**
Overview: Impact™ Backplane Connectors and Cable Assemblies
Description: Impact™ 85 Ohm Plus 4 Pair Vertical Header, Unguided, Open Walls, 12 Columns, 144 Circuits, Pin Length 4.90mm, Plated Through Hole Dimension 0.39mm, Lead-Free

Documents:

[Drawing \(PDF\)](#) [RoHS Certificate of Compliance \(PDF\)](#)
[Product Specification PS-170540-999 \(PDF\)](#)

General

| | |
|----------------|---|
| Product Family | Backplane Connectors |
| Series | 170335 |
| Application | Conventional, Mezzanine |
| Component Type | PCB Header |
| Overview | Impact™ Backplane Connectors and Cable Assemblies |
| Product Name | Impact™ |
| Style | N/A |
| UPC | 887191148700 |

Physical

| | |
|--------------------------------|--------------------------------|
| Circuits (Loaded) | 144 |
| Circuits (maximum) | 144 |
| Color - Resin | Gray |
| Durability (mating cycles max) | 200 |
| First Mate / Last Break | No |
| Guide to Mating Part | No |
| Keying to Mating Part | None |
| Material - Metal | High Performance Alloy (HPA) |
| Material - Plating Mating | Gold |
| Material - Plating Termination | Matte Tin |
| Material - Resin | High Temperature Thermoplastic |
| Net Weight | 4.029/g |
| Number of Columns | 12 |
| Number of Pairs | 4 |
| Number of Rows | 12 |
| Orientation | Vertical |
| PC Tail Length | 1.40mm |
| PCB Locator | No |
| PCB Retention | None |
| PCB Thickness - Recommended | 1.00mm |
| Packaging Type | Tray |
| Pitch - Mating Interface | 1.35mm, 1.90mm |
| Pitch - Termination Interface | 1.35mm, 1.90mm |
| Plating min - Mating | 0.762µm |
| Polarized to PCB | No |
| Stackable | No |
| Surface Mount Compatible (SMC) | No |
| Temperature Range - Operating | -55°C to +85°C |
| Termination Interface: Style | Through Hole - Compliant Pin |

Electrical

| | |
|-------------------------------|-----------|
| Current - Maximum per Contact | 0.75A |
| Data Rate | 25.0 Gbps |
| Impedance | 85# |
| Shield Type | N/A |

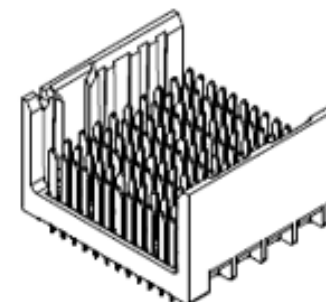


image - Reference only

Series

EU RoHS

ELV and RoHS Compliant

REACH SVHC

Not Reviewed

Low-Halogen Status

Low-Halogen

China RoHS



Need more information on product environmental compliance?

Email productcompliance@molex.com
 For a multiple part number RoHS Certificate of Compliance, [click here](#)

Please visit the [Contact Us](#) section for any non-product compliance questions.

Search Parts in this Series

[170335Series](#)

Mates With

170340 Impact™ 85 Ohm Plus Right Angle Receptacle, 170390 Impact™ 85 Ohm Plus Vertical Mezzanine Receptacle

Application Tooling | FAQ

Tooling specifications and manuals are found by selecting the products below. Crimp Height Specifications are then contained in the Application Tooling Specification document.

Global

| Description | Product # |
|---|----------------------------|
| Impact™ Insertion Tool | 0621005850 |
| Backplane Header Removal Tool for GbX-U™, I-Trac™, Impact™, or TinMan | 0621009610 |

Shielded
Voltage - Maximum

No
30V AC (RMS)/DC

Material Info

Reference - Drawing Numbers

Product Specification
Sales Drawing
Symbol/Footprint Data

PS-170540-999
SD-170335-0001
SYM-170335-1207

This document was generated on 07/03/2013

PLEASE CHECK WWW.MOLEX.COM FOR LATEST PART INFORMATION