

PLEASE CHECK WWW.MOLEX.COM FOR LATEST PART INFORMATION

Part Number: [1703281500](#)
Status: **Active**
Overview: [zQSFP+® Interconnect System](#)
Description: Heat Sink Clip for zQSFP+ Stacked Integrated Connector

Documents:

[Drawing \(PDF\)](#) [Product Literature \(PDF\)](#)
[RoHS Certificate of Compliance \(PDF\)](#)

General

Product Family	EMI Cages
Series	171722
Application	N/A
Component Type	Clip
Overview	zQSFP+® Interconnect System
Product Name	zQSFP Plus, zQSFP+
UPC	191128038539

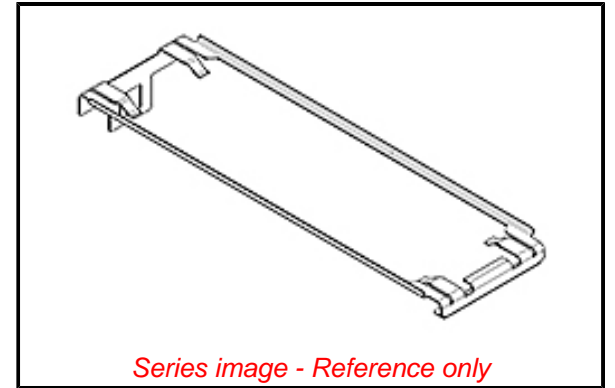
Physical

EMI Panel / Bezel Mount	N/A
Light Pipes per Port	N/A
Material - Metal	Stainless Steel
Net Weight	0.750/g
Orientation	Horizontal
Packaging Type	Tray
Port Configuration	N/A
Rear Legs	N/A
Thermal Height	N/A
Thermal Solutions	N/A

Material Info

Reference - Drawing Numbers

Sales Drawing	SD-170328-1500
---------------	----------------



EU ELV

Compliant

EU RoHS

Compliant

REACH SVHC

Not Contained Per -
D(2020)4578-DC (25
June 2020)

Halogen-Free

Status

Low-Halogen

For more information, please visit [Contact US](#)

China ROHS

ELV

RoHS Phthalates

China RoHS

Green Image

Compliant

Not Contained

Search Parts in this Series

[171722 Series](#)

Use With

zQSFP+ Stacked Integrated Connectors
[1717221062](#) , [1717222062](#) , [1717223062](#)