

DFK-IPC 16/ 2-GF-SH-10,16 - Feed-through header



1702976

<https://www.phoenixcontact.com/de/produkte/1702976>

Please be informed that the data shown in this PDF document is generated from our Online Catalog. Please find the complete data in the user documentation. Our General Terms of Use for Downloads are valid.



Feed-through header, nominal cross section: 16 mm², color: green, nominal current: 76 A, rated voltage (III/2): 1000 V, contact surface: Silver, type of contact: Female connector, number of potentials: 2, number of rows: 1, number of positions: 2, number of connections: 2, product range: DFK-IPC 16/..-GF-SH, pitch: 10.16 mm, mounting: Wave soldering, pin layout: Linear pinning, solder pin [P]: 4.1 mm, number of solder pins per potential: 3, plug-in system: COMBICON PC 16, Pin connector pattern alignment: Standard, locking: Screw locking, mounting: Threaded flange, type of packaging: packed in cardboard

Your advantages

- Well-known mounting principle allows worldwide use
- Flange system enables secure fixing to the housing panel by means of tool-free snap-in locking or screws
- Inverted header with socket contacts for touch-proof device outputs or PCB/PCB connections
- Shroud for professional EMC shield feed-through on the inside of the device
- Screwable flange for superior mechanical stability
- Integrated double steel spring provides additional safety in the event of temperature and power fluctuations

Commercial Data

Item number	1702976
Packing unit	10 pc
Minimum order quantity	10 pc
Sales Key	E1 - Leiterplattenanschl.
Product Key	AAEWAC
Catalog Page	Page 580 (C-1-2013)
GTIN	4046356031561
Weight per Piece (including packing)	24,36 g
Weight per Piece (excluding packing)	18,89 g
Customs tariff number	85366990
Country of origin	PL

DFK-IPC 16/ 2-GF-SH-10,16 - Feed-through header



1702976

<https://www.phoenixcontact.com/de/produkte/1702976>

Technical Data

Product properties

Type	Headers
Product line	COMBICON Connectors XL
Product type	Feed-through header
Product family	DFK-IPC 16/...-GF-SH
Number of positions	2
Pitch	10.16 mm
Number of connections	2
Number of rows	1
Mounting flange	Threaded flange
Number of potentials	2
Pin layout	Linear pinning
Solder pins per potential	3

Electrical properties

Nominal current I_N	76 A
Nominal voltage U_N	1000 V
Degree of pollution	3
Contact resistance	0.3 m Ω
Rated voltage (III/3)	1000 V
Rated surge voltage (III/3)	8 kV
Rated voltage (III/2)	1000 V
Rated surge voltage (III/2)	8 kV
	1000 V
Rated surge voltage (II/2)	6 kV

Mounting

Mounting type	Wave soldering
Pin layout	Linear pinning

Material specifications

Material data - contact

Note	WEEE/RoHS-compliant, free of whiskers according to IEC 60068-2-82/JEDEC JESD 201
Contact material	Cu alloy
Surface characteristics	completely silver-plated
Metal surface contact area (top layer)	Silver (4 - 8 μ m Ag)
Metal surface soldering area (top layer)	Silver (4 - 8 μ m Ag)

Material data - housing

Color (Housing)	green (6021)
Insulating material	PA

DFK-IPC 16/ 2-GF-SH-10,16 - Feed-through header



1702976

<https://www.phoenixcontact.com/de/produkte/1702976>

Insulating material group	I
CTI according to IEC 60112	600
Flammability rating according to UL 94	V0
Glow wire flammability index GWFI according to EN 60695-2-12	850
Glow wire ignition temperature GWIT according to EN 60695-2-13	775
Temperature for the ball pressure test according to EN 60695-10-2	125 °C

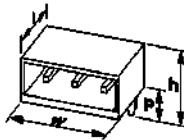
Material data – actuating element

Color ()	()
-----------	-----

Notes

Notes on operation	In accordance with IEC 61984, COMBICON connectors have no switching power (COC). During designated use, they must not be plugged in or disconnected when carrying voltage or under load.
--------------------	--

Dimensions

Dimensional drawing	
Pitch	10.16 mm
Width [w]	61.4 mm
Height [h]	22 mm
Length [l]	34.55 mm
Installed height	19.9 mm
Solder pin length [P]	4.1 mm

PCB design

Pin spacing	10.16 mm
-------------	----------

Mechanical tests

Test for conductor damage and slackening

Specification	IEC 60999-1:1999-11
Result	Test passed

Pull-out test

Specification	IEC 60999-1:1999-11
Conductor cross section/conductor type/tractive force setpoint/actual value	0.75 mm ² / solid / > 30 N
	0.75 mm ² / flexible / > 30 N
	16 mm ² / solid / > 100 N
	16 mm ² / flexible / > 100 N

Insertion and withdrawal forces

1702976

<https://www.phoenixcontact.com/de/produkte/1702976>

Result	Test passed
No. of cycles	50
Insertion strength per pos. approx.	10 N
Withdraw strength per pos. approx.	9 N

Torque test

Specification	IEC 60999-1:1999-11
---------------	---------------------

Contact holder in insert

Specification	IEC 60512-8:1993-01
Contact holder in insert Requirements >20 N	Test passed

Resistance of inscriptions

Specification	IEC 60068-2-70:1995-12
Result	Test passed

Polarization and coding

Specification	IEC 60512-7:1993-08 (Polarization)
Result	Test passed

Visual inspection

Specification	IEC 60512-1:2001-01
Result	Test passed

Dimension check

Specification	IEC 60512-1:2001-01
Result	Test passed

Electrical tests

Thermal test | Test group C

Specification	IEC 60512-5-1:2002-02
Tested number of positions	9

Insulation resistance

Specification	IEC 60512-2:1985-00
Insulation resistance, neighboring positions	$10^{12} \Omega$

Air clearances and creepage distances |

Specification	IEC 60664-1:2007-04
Insulating material group	I
Comparative tracking index (IEC 60112)	CTI 600
Rated insulation voltage (III/3)	1000 V
Rated surge voltage (III/3)	8 kV
minimum clearance value - non-homogenous field (III/3)	8 mm
minimum creepage distance (III/3)	12.5 mm
Rated insulation voltage (III/2)	1000 V

1702976

<https://www.phoenixcontact.com/de/produkte/1702976>

Rated surge voltage (III/2)	8 kV
minimum clearance value - non-homogenous field (III/2)	8 mm
minimum creepage distance (III/2)	8 mm
Rated insulation voltage (II/2)	1000 V
Rated surge voltage (II/2)	6 kV
minimum clearance value - non-homogenous field (II/2)	5.5 mm
minimum creepage distance (II/2)	5.5 mm

Environmental and real-life conditions

Vibration test

Specification	IEC 60068-2-6:1995-03
Frequency	10 - 150 - 10 Hz
Sweep speed	1 octave/min
Amplitude	0.35 mm (10 Hz ... 60.1 Hz)
Sweep speed	5g (60.1 Hz ... 150 Hz)
Test duration per axis	2.5 h

Durability test

Specification	IEC 60512-5:1992-08
Impulse withstand voltage at sea level	9.8 kV
Contact resistance R_1	0.3 m Ω
Contact resistance R_2	0.4 m Ω
Insertion/withdrawal cycles	50

Climatic test

Specification	ISO 6988:1985-02
Corrosive stress	KFW 0.2 S/1 cycle
Thermal stress	100 °C/168 h
Power-frequency withstand voltage	4.26 kV

Ambient conditions

Ambient temperature (operation)	-40 °C ... 100 °C (dependent on the derating curve)
Ambient temperature (storage/transport)	-40 °C ... 70 °C
Relative humidity (storage/transport)	30 % ... 70 %
Ambient temperature (assembly)	-5 °C ... 100 °C

Packaging specifications

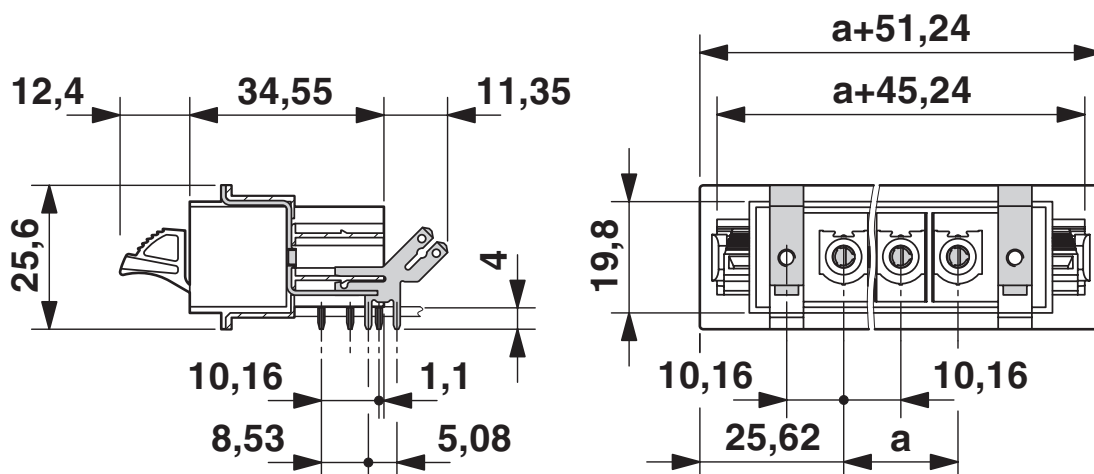
Type of packaging	packed in cardboard
-------------------	---------------------

Packaging specifications

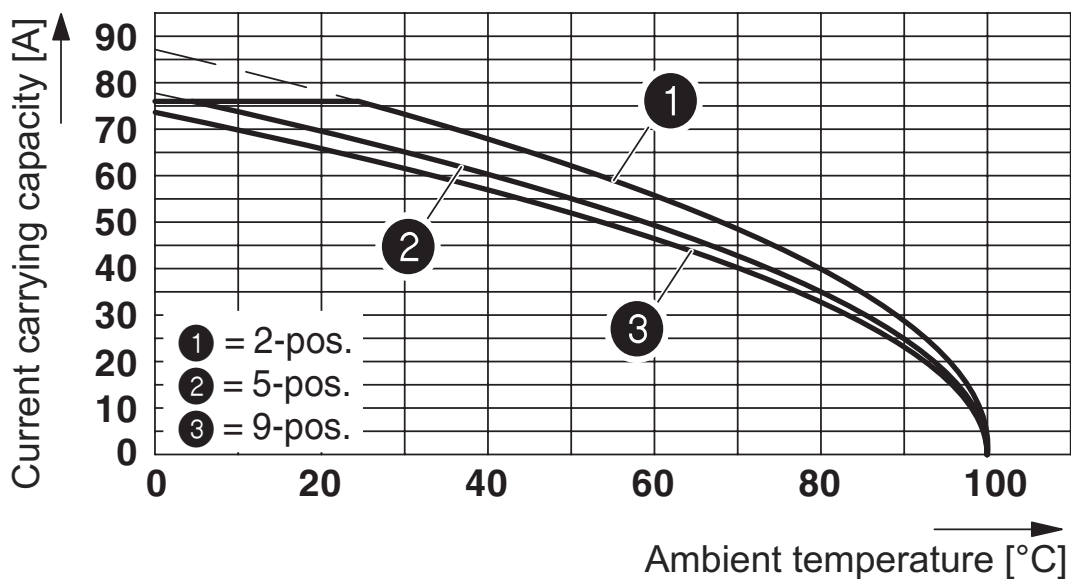
Type of packaging	packed in cardboard
-------------------	---------------------

Drawings

Dimensional drawing



Diagram

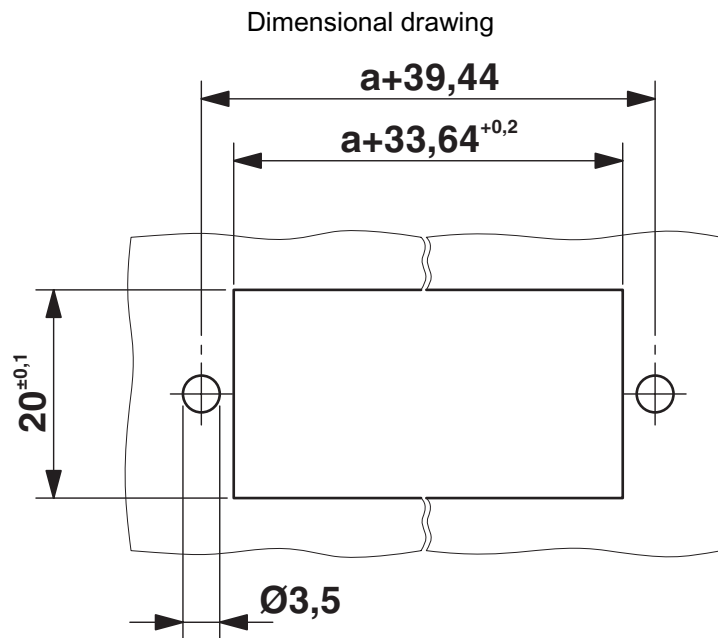


Type: IPC 16/...-STF-10,16 with DFK-IPC 16/...-GF-SH-10,16

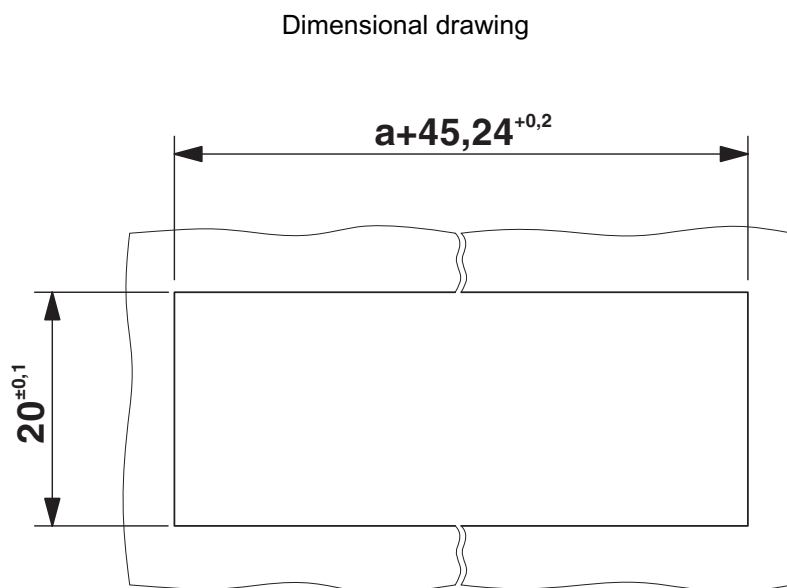
DFK-IPC 16/ 2-GF-SH-10,16 - Feed-through header

1702976

<https://www.phoenixcontact.com/de/produkte/1702976>



Sheet metal cutout for screw connection.



Sheet metal cutout for snap-on.

DFK-IPC 16/ 2-GF-SH-10,16 - Feed-through header



1702976

<https://www.phoenixcontact.com/de/produkte/1702976>

Approvals



EAC

Approval ID: B.01687



cULus Recognized

Approval ID: E60425-20040202

	Nominal Voltage U_N	Nominal Current I_N	Cross Section AWG	Cross Section mm^2
Use group B				
	300 V	55 A	-	-
Use group C				
	300 V	55 A	-	-
Use group D				
	600 V	5 A	-	-



IECEE CB Scheme

Approval ID: DE1-66677

	Nominal Voltage U_N	Nominal Current I_N	Cross Section AWG	Cross Section mm^2
		76 A	-	-



VDE Zeichengenehmigung

Approval ID: 40055586

	Nominal Voltage U_N	Nominal Current I_N	Cross Section AWG	Cross Section mm^2
		76 A	-	-

1702976

<https://www.phoenixcontact.com/de/produkte/1702976>

Classifications

ECLASS

ECLASS-9.0	27440402
ECLASS-10.0.1	27440402
ECLASS-11.0	27460201

ETIM

ETIM 8.0	EC002637
----------	----------

UNSPSC

UNSPSC 21.0	39121400
-------------	----------

DFK-IPC 16/ 2-GF-SH-10,16 - Feed-through header



1702976

<https://www.phoenixcontact.com/de/produkte/1702976>

Environmental Product Compliance

China RoHS	Environmentally friendly use period: unlimited = EFUP-e
	No hazardous substances above threshold values

DFK-IPC 16/ 2-GF-SH-10,16 - Feed-through header



1702976

<https://www.phoenixcontact.com/de/produkte/1702976>

Accessories

CP-PC RD - Coding profile

1701967

<https://www.phoenixcontact.com/de/produkte/1701967>

Coding profile, for plugging into the coding ribs of the plug at a later date, insulating material, color: Red



DFK-PC 16-SS - Accessories

1705449

<https://www.phoenixcontact.com/de/produkte/1705449>

Screw set for DFK-PC 16... connectors



DFK-IPC 16/ 2-GF-SH-10,16 - Feed-through header

1702976

<https://www.phoenixcontact.com/de/produkte/1702976>

SZK PH1 VDE - Screwdriver

1205150

<https://www.phoenixcontact.com/de/produkte/1205150>



Screwdriver, PH crosshead, VDE insulated, size: PH 1 x 80 mm, 2-component grip, with non-slip grip

SZS 0,6X2,5 VDE - Screwdriver

1205040

<https://www.phoenixcontact.com/de/produkte/1205040>



Screwdriver, slot-headed, VDE insulated, size: 0.6 x 2.5 x 80 mm, 2-component grip, with non-slip grip

DFK-IPC 16/ 2-GF-SH-10,16 - Feed-through header



1702976

<https://www.phoenixcontact.com/de/produkte/1702976>

DFK-PC MOUNT SET - Accessories

1054021

<https://www.phoenixcontact.com/de/produkte/1054021>

Contains 20 pcs. latch and screw elements for feed-through connectors each



Phoenix Contact 2023 © - all rights reserved

<https://www.phoenixcontact.com>

PHOENIX CONTACT Deutschland GmbH

Flachsmarktstraße 8

D-32825 Blomberg

+49 52 35/3-1 20 00

info@phoenixcontact.de