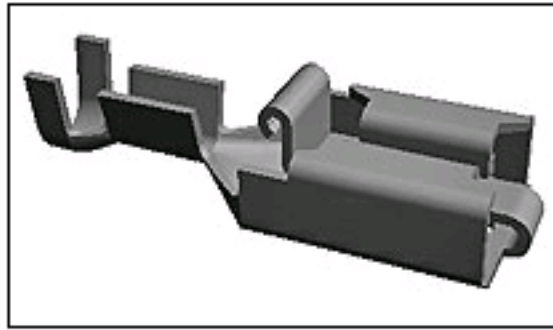


## 170265-2 Product Details


 [Share](#) | 
  [Print](#) | 
  [Email](#)



170265-2

TE Internal Number: 170265-2

 **Active**

 [View 3D PDF](#)

### Positive Lock Connectors

 [Always EU RoHS/ELV Compliant \(Statement of Compliance\)](#)

#### Product Highlights:

- Contact
- Contact Type = Socket
- Mating Area Interface Dimensions = 6.35 x 0.81 mm
- Applies To Wire/Cable
- Line = Mark I

[View all Features](#)

### Quick Links

- ▶ [Check Pricing & Availability](#)
- ▶ [Search for Tooling](#)
- ▶ [Product Feature Selector](#)
- ▶ [Contact Us About This Product](#)

[Add to My Part List](#) | 
  [Request Sample](#) | 
  [Find Similar Products](#) | 
  [Buy Product](#)

### Documentation & Additional Information

#### Product Drawings:

- [japanese](#) (PDF, English)

#### Catalog Pages/Data Sheets:

- None Available

#### Product Specifications:

- [1-Position, Positive Lock Connector](#) (PDF, English)

#### Application Specifications:

- None Available

#### Instruction Sheets:

- None Available

#### CAD Files: ([CAD Format & Compression Information](#))

- [2D Drawing](#) (DXF, Version 02)
- [3D Model](#) (IGES, Version 02)
- [3D Model](#) (STEP, Version 02)

#### Additional Information:

- [Product Line Information](#)

#### Related Products:

- [Tooling](#)

[List all Documents](#)

### Product Features (Please use the Product Drawing for all design activity)

#### Product Type Features:

- [Product Type](#) = Contact
- [Mating Area Interface Dimensions \(mm \[in\]\)](#) = 6.35 x 0.81 [.250 x .032]
- [Receptacle Style](#) = Straight
- [Insulation Diameter \(mm \[in\]\)](#) = 2.20-3.10 [.086-.122]
- [Material](#) = Brass
- [Finish](#) = Tin
- [Keyed](#) = No

#### Body Features:

- [Wire Range \(mm \[AWG\]\)](#) = 0.50-2.00<sup>2</sup> [20-14]
- [Position Keyed](#) = None
- [Stock Thickness \(mm \[in\]\)](#) = 0.38 [0.015]

#### Contact Features:

- [Contact Type](#) = Socket

#### Industry Standards:

- [RoHS/ELV Compliance](#) = RoHS compliant, ELV compliant
- [Lead Free Solder Processes](#) = Not relevant for lead free process
- [RoHS/ELV Compliance History](#) = Always was RoHS compliant

#### Conditions for Usage:

- [Applies To](#) = Wire/Cable

#### Packaging Features:

- [Packaging Method](#) = Loose Piece

#### Other:

- [Line](#) = Mark I
- [Brand](#) = AMP

### Corporate Information

[About TE](#)  
[Investors](#)  
[News Room](#)  
[Supplier Portal](#)  
[Careers](#)

### Quick Links

[Check Distributor Inventory](#)  
[Cross Reference Products](#)  
[Find Documents & Drawings](#)  
[Product Compliance Support Center](#)  
[Site Map](#)

### Customer Support

[Email or Chat With Us](#)  
[Find a Phone Number](#)  
[Search Knowledge Base](#)  
[Manage Your Account](#)

### Keep Me Informed

Receive TE News, Events & Technology Updates

Enter your email address 

