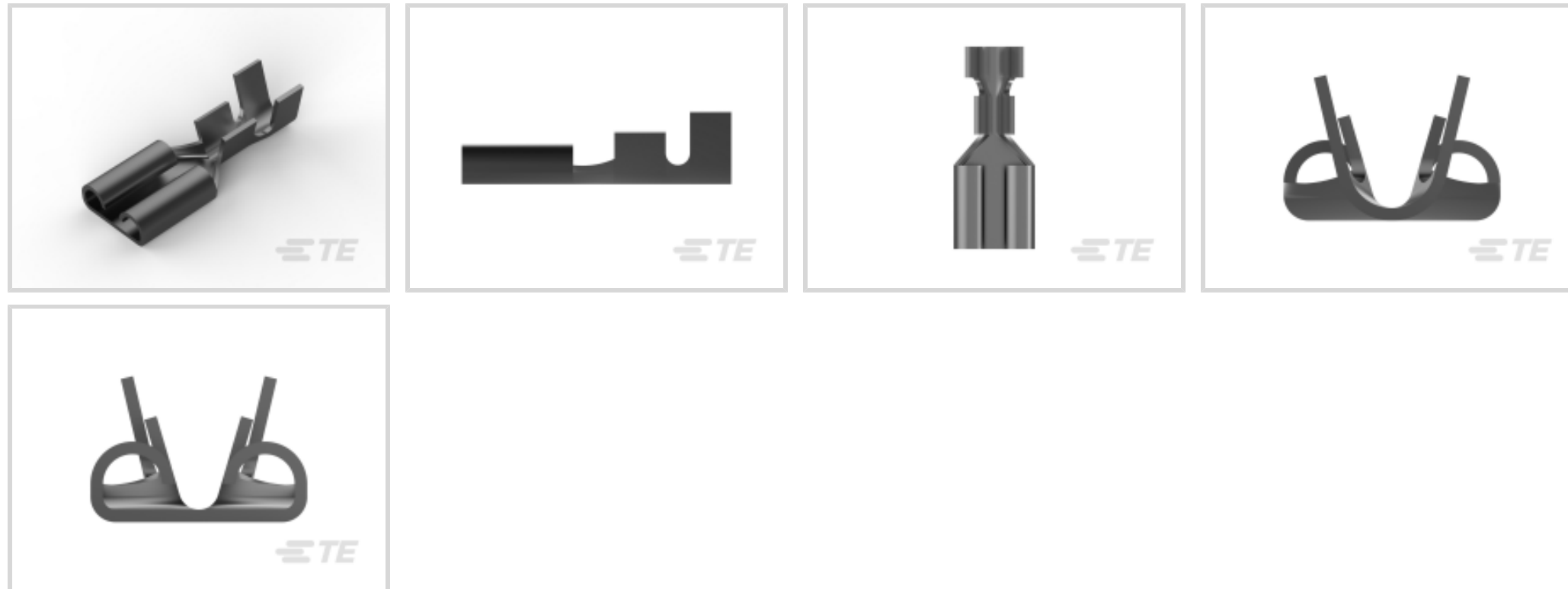




Terminals & Splices > Quick Disconnects



Quick Disconnect Terminal Type: **Receptacle**

Wire Size: **.82 – 2.08 mm²**

Mating Tab Width: **6.35 mm [.25 in]**

Mating Tab Thickness: **.81 mm [.032 in]**

Features

Product Type Features

| | |
|-----------------|---------------|
| Terminates To | Wire & Cable |
| Wire/Cable Type | Discrete Wire |
| Wire Stop | No |
| Insertion Force | Normal |
| Sealable | No |

Configuration Features

| | |
|---------------------|--------|
| Connection Capacity | Single |
|---------------------|--------|

Contact Features

| | |
|--------------------------------|------------------|
| Quick Disconnect Terminal Type | Receptacle |
| Mating Tab Width | 6.35 mm [.25 in] |
| Mating Tab Thickness | .81 mm [.032 in] |
| Terminal Orientation | Straight |
| Contact Base Material | Brass |
| Terminal Plating Material | Tin |
| Crimp Type | F-Crimp |



| | |
|-------------|------|
| Barrel Type | Open |
|-------------|------|

Mechanical Attachment

| | |
|-------------------------|-------------|
| Mating Retention Type | Dimple |
| Extraction Force | 24.5 Newton |
| Wire Insulation Support | With |

Dimensions

| | |
|--|------------------------------|
| Accepts Wire Insulation Diameter Range | 2.54 – 4.32 mm [.1 – .17 in] |
| Receptacle Terminal Stock Thickness | .43 mm [.017 in] |
| Overall Length | 18.9 mm [.744 in] |
| Wire Size | .82 – 2.08 mm ² |

Usage Conditions

| | |
|-----------------------------|-----------------------------|
| Insulation Option | Uninsulated |
| Operating Temperature Range | -40 – 110 °C [-40 – 230 °F] |

Industry Standards

| | |
|---------------|--------|
| CSA Certified | Yes |
| UL Rating | Listed |

Packaging Features

| | |
|--------------------|------------|
| Packaging Quantity | 5000 |
| Packaging Method | Strip/Reel |

Other

| | |
|------|--------|
| Line | Budget |
|------|--------|

Product Compliance

[For compliance documentation, visit the product page on TE.com>](#)

| | |
|---|---|
| EU RoHS Directive 2011/65/EU | Compliant |
| EU ELV Directive 2000/53/EC | Compliant |
| China RoHS 2 Directive MIIT Order No 32, 2016 | No Restricted Materials Above Threshold |
| EU REACH Regulation (EC) No. 1907/2006 | Current ECHA Candidate List: JAN 2023 (233) Candidate List Declared Against: JAN 2023 (233) Does not contain REACH SVHC |
| Halogen Content | Low Halogen - Br, Cl, F, I < 900 ppm per homogenous material. Also BFR/CFR/PVC |

Free

Solder Process Capability

Not applicable for solder process capability

Product Compliance Disclaimer

This information is provided based on reasonable inquiry of our suppliers and represents our current actual knowledge based on the information they provided. This information is subject to change. The part numbers that TE has identified as EU RoHS compliant have a maximum concentration of 0.1% by weight in homogenous materials for lead, hexavalent chromium, mercury, PBB, PBDE, DBP, BBP, DEHP, DIBP, and 0.01% for cadmium, or qualify for an exemption to these limits as defined in the Annexes of Directive 2011/65/EU (RoHS2). Finished electrical and electronic equipment products will be CE marked as required by Directive 2011/65/EU. Components may not be CE marked. Additionally, the part numbers that TE has identified as EU ELV compliant have a maximum concentration of 0.1% by weight in homogenous materials for lead, hexavalent chromium, and mercury, and 0.01% for cadmium, or qualify for an exemption to these limits as defined in the Annexes of Directive 2000/53/EC (ELV). Regarding the REACH Regulation, the information TE provides on SVHC in articles for this part number is based on the latest European Chemicals Agency (ECHA) 'Guidance on requirements for substances in articles' posted at this URL: <https://echa.europa.eu/guidance-documents/guidance-on-reach>

Compatible Parts



TE Part # 2232112-1
250 FASTON,REC.,18-14 AWG,TPBR



TE Part # 2232247-1
250 FASTON,REC.,16-10 AWG,BR



TE Part # 755336-1
DAHT FASTON 22-14 ASSY



TE Part # 735211-2
250 FASTON REC 14-10 AWG TPBR



TE Part # 2-2150060-1
OC-PA-E-FM-110F180F-001-0056



TE Part # 2-2150060-2
OC-PA-E-FA-110F180F-001-0056



TE Part # 2-2150062-2
OCEAN_2.0_Applicator-E-150F220F



TE Part # 2150060-1
OC-AT-E-FM-110F180F-001-0056



TE Part # 2150060-2
OC-AT-E-FA-110F180F-001-0056

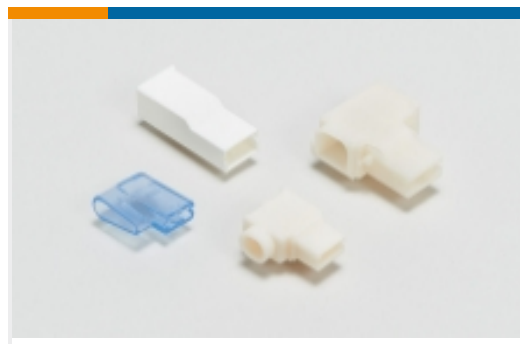


KIT
TE Part # 7-2150060-7
OC-110F180F-CRIMPTOOLINGKIT

Also in the Series | **FASTON 250**



Compression Connectors(4)



Crimp Terminal Housings(139)



Insertion & Extraction Tools(6)



Magnet Wire Terminals(1)



PCB Terminals(135)

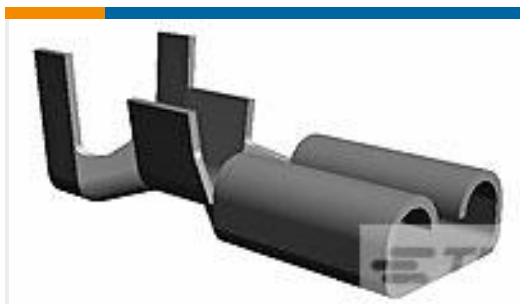


Quick Disconnects(444)

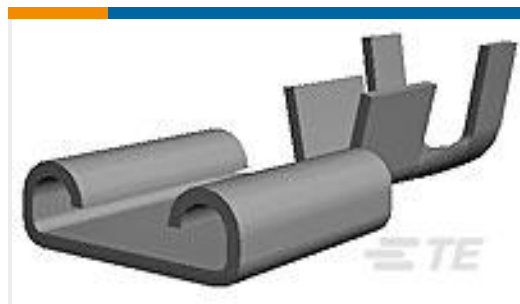


Splices(4)

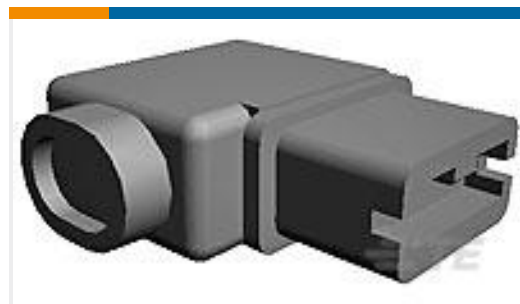
Customers Also Bought



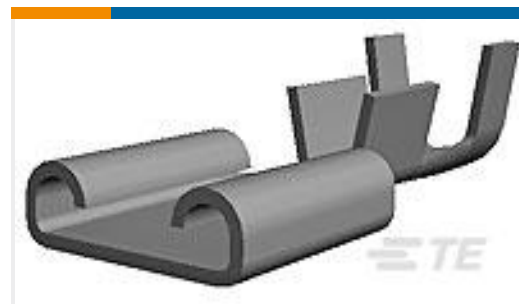
TE Part #170037-2
187 FASTON,REC.,20-16 AWG,TPBR



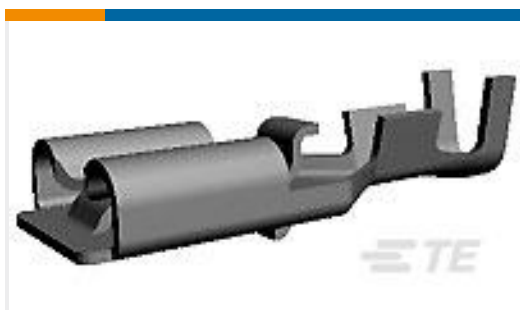
TE Part #170183-2
250 FASTON,REC.,22-18 AWG,TPBR



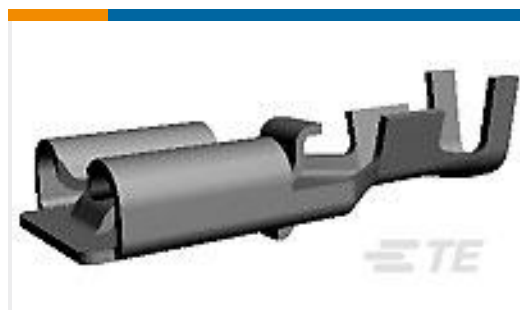
TE Part #1-176497-1
250 HSG. PL EX FLAG REC. NAT



TE Part #170224-2
250 FASTON,REC.,16-10 AWG,BR



TE Part #179975-1
250 PL EX REC. 15-10AWG PTBR



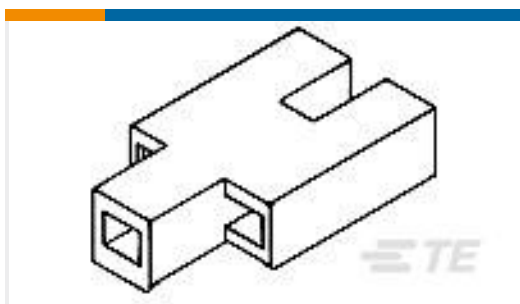
TE Part #179973-1
250 PL EX REC. 22-18AWG PTBR



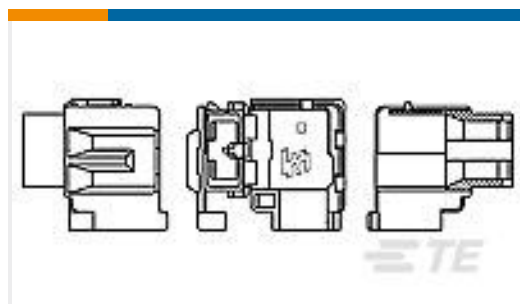
TE Part #179974-1
250 PL EX REC. 18-14AWG PTBR



TE Part #41802
250 FASTON FLAG REC 18-12 AWG TPBR



TE Part #235280-1
CLUSTER BLOCK HSG .090 DIA



TE Part #2013799-1
250 HSG. PL EX REC. BLACK

Documents



Product Drawings

[250 FASTON,REC.,18-14 AWG,TPBR](#)

English

CAD Files

[3D PDF](#)

3D

Customer View Model

[ENG_CVM_CVM_170213-2_T.2d_dxf.zip](#)

English

Customer View Model

[ENG_CVM_CVM_170213-2_T.3d_igs.zip](#)

English

Customer View Model

[ENG_CVM_CVM_170213-2_T.3d_stp.zip](#)

English

By downloading the CAD file I accept and agree to the [Terms and Conditions](#) of use.

Product Specifications

[Application Specification](#)

English

Product Environmental Compliance

[MD_170213-2_060520181156_dmtec](#)

English

[MD_170213-2_060520181156_dmtec](#)

English

Agency Approvals

[Agency Approval Document](#)

English