

**SAI Passive  
SAI-8-M 5P M12**

**Weidmüller Interface GmbH & Co. KG**  
Klingenbergstraße 26  
D-32758 Detmold  
Germany  
Fon: +49 5231 14-0  
Fax: +49 5231 14-292083  
www.weidmueller.com



M12 distributors are available in various versions. The 4, 6 or 8 M12 slots are in 4 or 5 pole design. The group outlet is designed as a fixed cable version, hood version for connection by the user, or with M23. Special versions are also available. For instance, there are 1-to-1 distributors for use with any connection types, or distributors approved for Ex Zone 1.

**General ordering data**

Type	SAI-8-M 5P M12
Order No.	<a href="#">1701250000</a>
Version	SAI Passive, Sensor-actuator passive distributor, M12, Hood version, Yes
GTIN (EAN)	4008 19094976 1
Qty.	1 pc(s).

Creation date April 27, 2020 4:02:04 AM CEST

Catalogue status 17.04.2020 / We reserve the right to make technical changes.

**SAI Passive  
SAI-8-M 5P M12**

**Weidmüller Interface GmbH & Co. KG**  
 Klingenbergstraße 26  
 D-32758 Detmold  
 Germany  
 Fon: +49 5231 14-0  
 Fax: +49 5231 14-292083  
 www.weidmueller.com

**Technical data****Dimensions and weights**

Depth	152 mm	Depth (inches)	5.984 inch
Net weight	278 g		

**Temperatures**

Operating temperature range, max.	90 °C	Operating temperature range, min.	-20 °C
Operating temperature, max.	90 °C	Operating temperature, min.	-20 °C
Operating temperature	-20 - 90°C		

**Environmental Product Compliance**

REACH SVHC	Lead 7439-92-1
------------	----------------

**Connection data**

Conductor O.D., min.	6 mm	Conductor O.D., max.	12 mm
Sheathing stripping length	100 mm	Cable glands	M 20
Clamping range, min.	0.08 mm <sup>2</sup>	Clamping range, max.	1.5 mm <sup>2</sup>
Storage space	Standard	Distributor outlet	Hood version
Connection type PE	Screw connection		

**Standards**

Certificate No. (CSA)	53975-21	Certificate No. (cURus)	E141197
-----------------------	----------	-------------------------	---------

**Electrical data**

Rated voltage, min.	10 V	Rated voltage, max.	30 V
Test voltage	1 kV	Max. current-carrying capacity per slot	4 A
Total current	10 A	Current per signal	2 A
Electrical isolation available	Yes	Insulation strength	10 <sup>9</sup> Ω

**General technical data**

Plug-in station coding	A	Protection degree	IP68
Number of poles	5	Number of contact sockets	8
Connection thread	M12	Pollution severity	3
Fire behaviour	V-0	Plugging cycles	≤ 50
LED	Yes	LED initiator	Yes
LED colour for indicating operation	green	LED colour for I/O function	yellow

**Material data**

Housing main material	Pocan	Material of distributor	Plastic
Housing colour	grey, RAL 7032	Hood sealing material	Viton
Screw socket	Nickel-plated CuZn	Contact material	CuZn
Contact surface	Gold-plated	Contact carrier material	PBT (UL 94 V0)

**Technical data cable**

Suitable for cable carriers	No	Number of poles	5
Conductor O.D., min.	6 mm	Conductor O.D., max.	12 mm

**Data sheet**

**SAI Passive  
SAI-8-M 5P M12**

**Weidmüller Interface GmbH & Co. KG**  
 Klingenbergstraße 26  
 D-32758 Detmold  
 Germany  
 Fon: +49 5231 14-0  
 Fax: +49 5231 14-292083  
 www.weidmueller.com

**Technical data**

**Classifications**

ETIM 6.0	EC002585	ETIM 7.0	EC003558
eClass 9.0	27-44-01-08	eClass 9.1	27-44-01-08
eClass 10.0	27-44-01-11	UNSPSC	30-21-18-01

**Approvals**

Approvals



ROHS Conform

**Downloads**

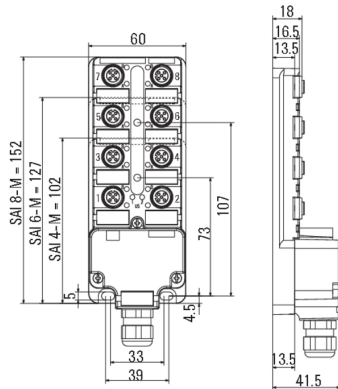
Brochure/Catalogue	<a href="#">CAT 8 SAI 15/16 EN</a> <a href="#">FL FIELDWIRING EN</a>
Engineering Data	<a href="#">EPLAN, WSCAD, Zuken E3.S</a>
Engineering Data	<a href="#">STEP</a>

**SAI Passive  
SAI-8-M 5P M12**

**Weidmüller Interface GmbH & Co. KG**  
 Klingenbergstraße 26  
 D-32758 Detmold  
 Germany  
 Fon: +49 5231 14-0  
 Fax: +49 5231 14-292083  
 www.weidmueller.com

**Drawings**

**Dimensioned drawing**



**Wiring diagram**

