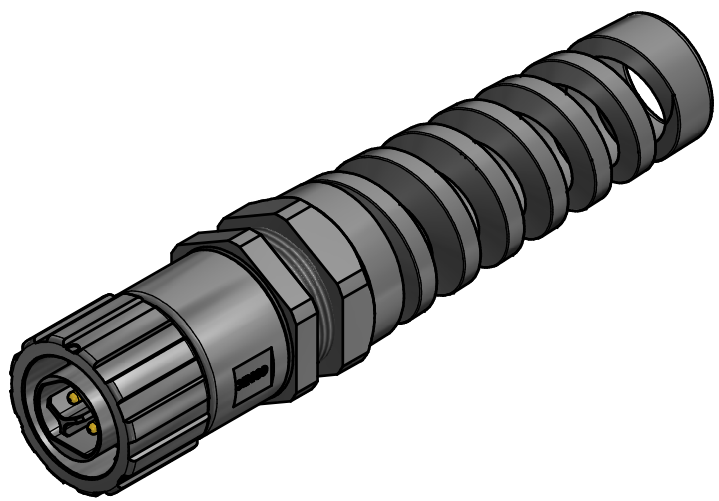
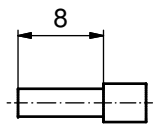
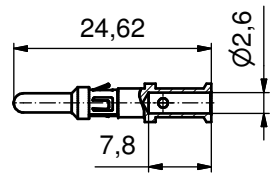


3 CONTACTS WILL BE SUPPLIED LOOSE

STRIPPING DIMENSIONS



NOTES:

1. MATERIAL AND FINISH:
 - COUPLER RING: PA GF (BLACK); UL94 V-0; UL (f1) RATED
 - SOCKET HOUSING: PA GF (BLACK); UL94 V-0; UL (f1) RATED
 - CABLE GLAND: PA (BLACK), UL94 V-0; UL (f1) RATED
 - CABLE GLAND RUBBER RING: NBR; COLOR: BLACK
 - CABLE FITTING: PA (BLACK); UL94 V-0; UL (f1) RATED
 - INTERFACIAL SEAL: SILICONE; COLOR: WHITE
 - RETAINING RING: STAINLESS STEEL
2. HIGH POWER CONTACTS; CRIMP; 20A
 - FOR USE WITH CABLE AWG 12 - 14
 - MATERIAL: COPPER ALLOY
 - PLATING, MATING AREA: GOLD FLASH OVER NICKEL
 - PLATING, TERMINATION SIDE: 160 - 240µin TIN OVER 80µin NICKEL
 - PROTECTION SLEEVE: NICKEL PLATED
 - CONTACTS WILL BE SUPPLIED LOOSE
 - CRIMPING: USE CRIMP TOOL 360X21079X WITH TOOL INSERT 36-000430
 - TURRET POSITION: 12
 - SELECTOR SETTINGS: 8 FOR AWG 12, 7 FOR AWG 14
3. OPERATING TEMPERATURE: -40°C to +100°C
4. WORKING VOLTAGE: max. 250V AC/DC
5. IP67 RATED WHEN COVERED OR FULLY MATED WITH THE APPROPRIATE MATING CONNECTOR

RoHS compliant

THIS DRAWING MAY NOT BE COPIED OR REPRODUCED IN ANY WAY, AND MAY NOT BE PASSED ON TO A THIRD PARTY WITHOUT WRITTEN PERMISSION. OWNERSHIP AND COPYRIGHT OF CONEC GmbH				date		name		scale: 1,5:1	
				drawn 01.10.14		Strakerjahn		material: see notes	
DO NOT ALTER CAD DRAWING BY HAND				appd. 02.10.14		Koch		title:	
				norm				IP67 POWER BAJONET 3pos	
1 x b				rev. a		description		dwg no:	
				16.09.2015		K.H.		17K1A443	
a				rev.		description		part no:	
				16.09.2015		K.H.		17-400293	
DO NOT ALTER CAD DRAWING BY HAND				norm				DIN-A3	
				d-old				sh: 1	
THIS DRAWING MAY NOT BE COPIED OR REPRODUCED IN ANY WAY, AND MAY NOT BE PASSED ON TO A THIRD PARTY WITHOUT WRITTEN PERMISSION. OWNERSHIP AND COPYRIGHT OF CONEC GmbH				date		name		scale: 1,5:1	
				drawn 01.10.14		Strakerjahn		material: see notes	
DO NOT ALTER CAD DRAWING BY HAND				appd. 02.10.14		Koch		title:	
				norm				IP67 POWER BAJONET 3pos	
1 x b				rev. a		description		dwg no:	
				16.09.2015		K.H.		17K1A443	
a				rev.		description		part no:	
				16.09.2015		K.H.		17-400293	
DO NOT ALTER CAD DRAWING BY HAND				norm				DIN-A3	
				d-old				sh: 1	

