

"ILLUMINATER™ " SERIES INDICATOR AND ACCESSORIES

DESCRIPTION

Along with this new line of illuminated rocker switches, we also offer a line of accessories. General styling and appearance match those of the basic switch, with design features as stated.

DESIGN FEATURES

Indicator

- Front panel mounted
- Keyed assembly
 - indicator lens assembly to bezel
 - connector to bezel superstructure
- Removable indicator lens assembly
- One or two lamp capability
- Full size clear lens with non-glare surface
- Icons located beneath lens surface
- Diffusion lens alters icon background lighting
- Matte black textured finish on indicator assembly
- Molded-in terminal identification
- Molded-in orientation mark

SPECIFICATIONS / MATERIALS

- Temperature range: -40°F to +160°F (-40°C to +71°C)
- Flame retardant thermoplastic bezel and base
- Stainless steel mounting clips



OTHER ACCESSORIES

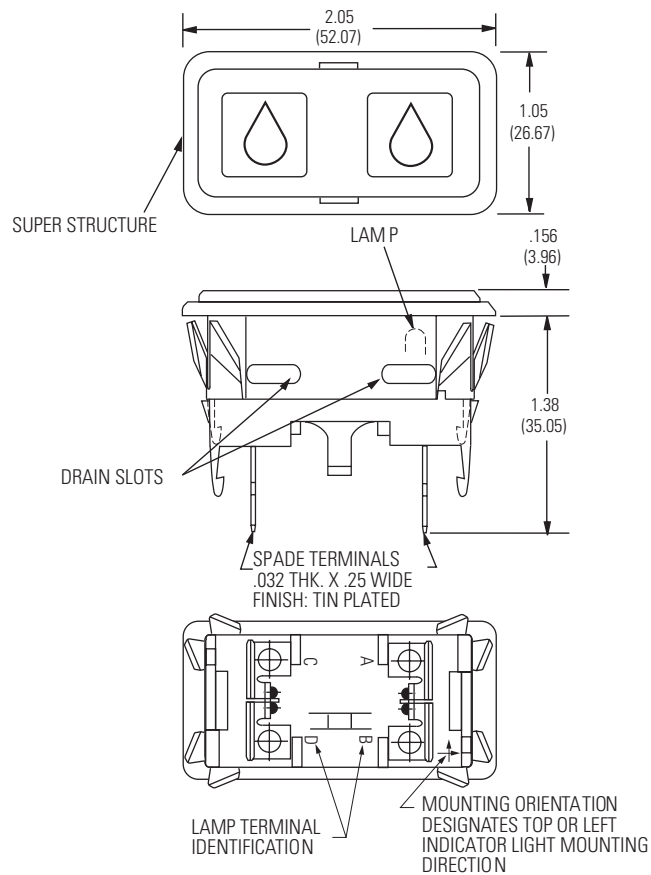
- Connector (see page C7)

FILLER PLUG

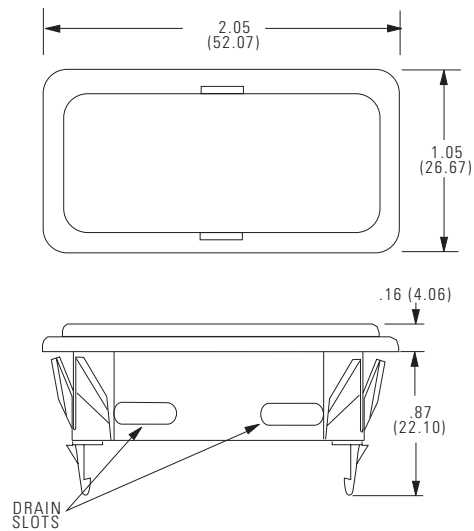
- Front panel mounted
- Accepts - connector/harness assembly
- Matte black textured finish

"ILLUMINATER™ " SERIES INDICATOR AND ACCESSORIES ENGINEERING DATA

INDICATOR

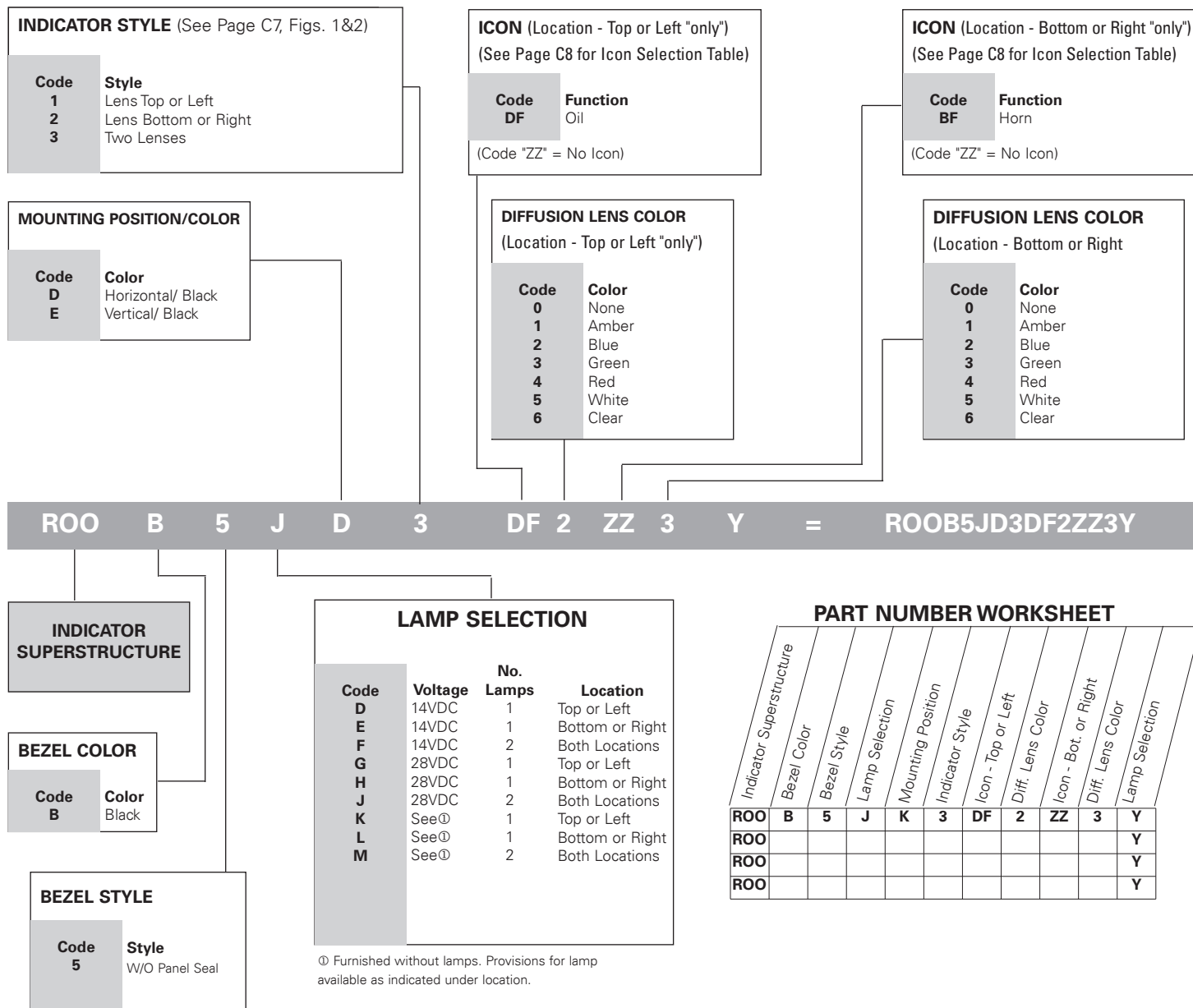


FILLER PLUG - P/N P24010

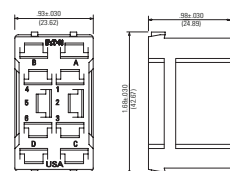


Note: For recommended panel cutout dimensions, see page C7.

"ILLUMINATOR™" SERIES INDICATOR PART NUMBERING SYSTEM



ACCESSORY ITEM INDICATOR STYLE RECOMMENDED PANEL CUTOUT



Connector Shell P/N 17-19388.

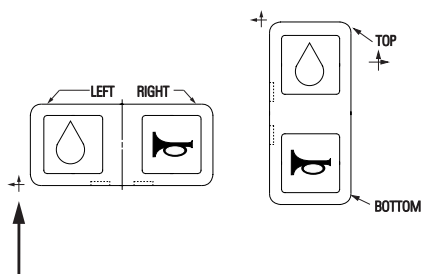
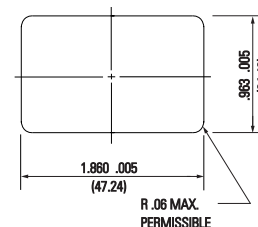


Figure 1 Horizontal Mount.

Figure 2 Vertical Mount

Mounting orientation shown on bottom of base designates top or left indicator light mounting direction.

DIMENSIONS AND PANEL THICKNESS



Recommended Metal Panel Thickness .040 (1.02) to .140 (3.56)

"ILLUMINATER™ " SERIES ICON SELECTION TABLE

Code		Description	SAE Spec. No. J1632	Code		Description	SAE Spec. No. J1632
-DF		Oil	1056	-AX		Headlights - High/Upper Beam	0082
-CW		Level Indicator	0159	-AY		Headlights - Low/Dipped Beam	0083
-DG		Temperature	0034	-AZ		Work Light	1204
-DA		On/Start	5007	-DK		Parking Lights	0240
-DB		Off/Stop	5008	-CJ		Hazard Warning Lights	0085
-BF		Horn	0244	-BB		Interior Dome Light	1421
-BT		Fast	None	-BC		Beacon	1141
-BV		Slow	None	-DL		Turn Signals	0084
-CN		Lock	1656	-DM		Front Fog Lights	0633
-CR		Unlock	None	-CE		Rear Fog Lights	0634
-DH		Rearward Moving Machine Alarm	None	-BA		Instrument Illumination	1556
-DJ		Rearward Moving Machine Alarm-CANCEL	None	-BG		Windshield-Wiper	0086
-BU		Engine-Basic Symbol	1156	-BH		Windshield Washer	0088
-CK		Engine-Electrical Preheat (Low Temperature Start Aid)	1704	-CU		Windshield - Washer & Wiper	0087
-AJ		Engine-Gas Injection (Low Temperature Start Aid)	1547	-BJ		Rear Window - Wiper	0097
-BZ		Transmission-Basic Symbol	1166	-BK		Rear Window - Washer	0099
-BL		Fuel or Fuel System Basic Symbol	0245	-DN		Rear Window - Washer & Wiper	0098
				-AA		Heater/Interior Heating	0637
				-BE		Air Conditioning/Cooling System	0027
				-BD		Ventilating/Air Circulating Fan	0089

Typical icons illustrated are per SAE Pub No.s: J-107, J-1048, and J-1449. Additional icons are available upon request.

Note: If no icon is required, enter code "ZZ".

ECONOSWITCH SEALED ROCKER SWITCHES

Econoswitch Sealed Rocker Switches With Removable Rocker Button (RB Series)

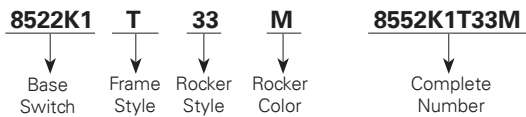
Series - 8551, 8552, 8553

FEATURES	SPECIFICATIONS	CURRENT RATINGS
<ul style="list-style-type: none"> Environmentally sealed 1, 2 and 4 pole circuitry 2 & 3 position with maintained and momentary action Rocker button is removable for decal or icon interchangeability Multi-circuits Three types of termination offered as standard Rocker button variations <ul style="list-style-type: none"> Smooth and serrated in opaque colors Transparent Translucent Panel mounting variations <ul style="list-style-type: none"> Flush panel Sub panel 	<ul style="list-style-type: none"> Watertight per MIL-STD-108E and designed to meet IP68 UL recognized and CSA certified Base compression seal Temperature Range: -50°F to +150°F (-46°C to +66 °) Life: 50,000 operations at rated load 100,00 operations mechanical life Three standard types of terminals <ul style="list-style-type: none"> Screw 6-32" UNC-2A Solder lug .125 [3,17] dia. hole Spade .250 [6,35]x.032 [0,81] thick 	

WHEN ORDERING SPECIFY

* Catalog number of base switch followed by suffix letters and numbers for mounting bracket, rocker color and style as listed in selection table.

Order Example:



Sub-Panel Style



Flush Panel Style

SELECTION TABLE

CIRCUIT WITH LEVER IN . . .			BASE CATALOG NUMBER ^②			SUFFIX NUMBERS & LETTERS - ADD TO BASE CATALOG NUMBER					
Up Position	Center Position	Down Position (ID lug) ^①				MOUNTING BRACKET		ROCKER STYLE ^③		ROCKER COLOR	
			Screw Terminals	Solder Terminals	Spade Terminals	Frame Style	Code Letter	Style	Code No.	Color	Code Letter
One Pole											
ON	OFF	ON	8551K1	8551K91	8551K31						
ON	NONE	OFF	K9	K99	K39					White	M
ON	NONE	ON	K4	K94	K34						
ON	OFF	NONE	K6	K96	K36						
ON	NONE	ON*	K5	K95	K35						
* ON	OFF	ON*	K2	K92	K32						
NONE	OFF	ON*	K7	K97	K37						
ON	NONE	OFF*	K10	K910	K310	Flush Panel	T	Serrated	32	Red	T
OFF	NONE	ON*	K11	K911	K311						
ON	OFF	ON*	K3	K93	K33						
* ON	ON	NONE	K12	K912	K312						
ON	ON	NONE	K13	K913	K313					Black	V
Two Pole											
ON	OFF	ON	8552K1	8552K91	8552K31						
ON	NONE	OFF	K9	K99	K39						
ON	NONE	ON	K4	K94	K34						
ON	OFF	NONE	K6	K96	K36						
ON	NONE	ON*	K5	K95	K35						
* ON	OFF	ON*	K2	K92	K32	Sub-Panel	W	Smooth	33	Translucent	L
NONE	OFF	ON*	K7	K97	K37						
ON	NONE	OFF*	K10	K910	K310						
OFF	NONE	ON*	K11	K911	K311						
ON	OFF	ON*	K3	K93	K33					Transparent	P
* ON	ON	NONE	K12	K912	K312						
ON	ON	NONE	K13	K913	K313						
ON	ON	ON	K14	K914	K314						
ON	ON	ON*	K15	K915	K315						
* ON	ON	ON*	K16	K916	K316						

* Momentary Contact.

① Identification lug side.

② Incomplete catalog number: add suffix letters and numbers for Mounting Brackets, Rocker Style & Color

③ Other Rocker Styles available



SAFRAN ELECTRICAL & POWER

C9