

Sensor/actuator box - SACB-8/ 8-M23 180



1692776

<https://www.phoenixcontact.com/pc/products/1692776>

Please be informed that the data shown in this PDF document is generated from our Online Catalog. Please find the complete data in the user documentation. Our General Terms of Use for Downloads are valid.



Sensor/actuator box, application: Standard, connection method: M12 socket Plastic, number of slots: 8, number of positions: 4, coding: A - standard, slot assignment: single, status display: No, Universal; master cable connection: M23 plug connection 180°, shielding: no

Your advantages

- Safety in the field, thanks to molded housing and high degree of protection

Commercial Data

Item number	1692776
Packing unit	1 pc
Minimum order quantity	1 pc
Sales Key	02
Product Key	BF3CBB
Catalog Page	Page 114 (PC-2009)
GTIN	4017918177843
Weight per Piece (including packing)	157.5 g
Weight per Piece (excluding packing)	144 g
Customs tariff number	85366990
Country of origin	DE

Technical Data

Notes

Assembly instruction:	NOTE: Observe the permissible bending radii when laying conductors, since the degree of protection may be put in jeopardy if the bending forces are too high. Alleviate mechanical loads upstream of the connector, e.g. by using cable ties.
Note on application	Unused slots are to be sealed off prior to commissioning. Suitable sealing elements are to be found under "Accessories".

Product properties

Product type	Distributor boxes with M8 to M12 slots
Number of positions	4
Application	Standard
Number of slots	8
Coding	A - standard

Material specifications

Color	green
Flammability rating according to UL 94	V0
Material of threaded sleeve	PA
Contact material	CuSn
Contact surface material	Ni/Au
Contact carrier material	PA
Material of contact, master cable side	CU alloy
Material of contact surface, master cable side	gold-plated
O-ring material	NBR
Housing material	PA

Dimensions

Dimensional drawing	
Width	54 mm
Height	34 mm
Length	155 mm

Connection data

Pin assignment

Slot/position = Wire color or connection	1 / 4 (A) = 1
	2 / 4 (A) = 2
	3 / 4 (A) = 3
	4 / 4 (A) = 4
	5 / 4 (A) = 5
	6 / 4 (A) = 6
	7 / 4 (A) = 7

Sensor/actuator box - SACB-8/ 8-M23 180



1692776

<https://www.phoenixcontact.com/pc/products/1692776>

	8 / 4 (A) = 8
	1-4 / 1 (+ 120 V) = 11
	1-4 / 3 (0 V) = 9+10
	1-4 / 5 (PE) = 12

LED signaling

Status display present	No
------------------------	----

Electrical properties

Max. operating voltage U_{max}	135 V
Nominal voltage U_N	120 V AC
	120 V DC
Rated current, total	12 A
Max. current carrying capacity per path	2 A
Current carrying capacity per slot	4 A

Cable / line

Sensor/actuator connection system	M12 socket
Connection method	M23 plug connection
Tightening torque slot sensor/actuator cable	0.4 Nm

Ambient conditions

Degree of protection	IP65
	IP67
Ambient temperature (operation)	-20 °C ... 75 °C

Sensor/actuator box - SACB-8/ 8-M23 180

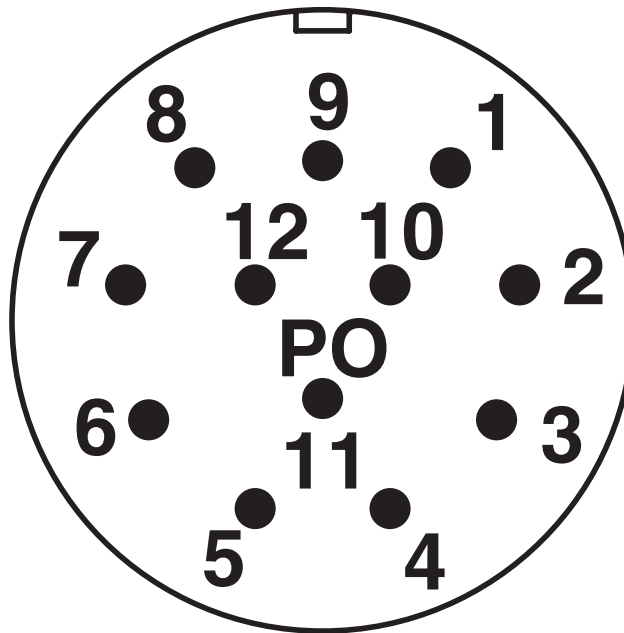


1692776

<https://www.phoenixcontact.com/pc/products/1692776>

Drawings

Schematic diagram



M23 plug connection pin, 12-pos.

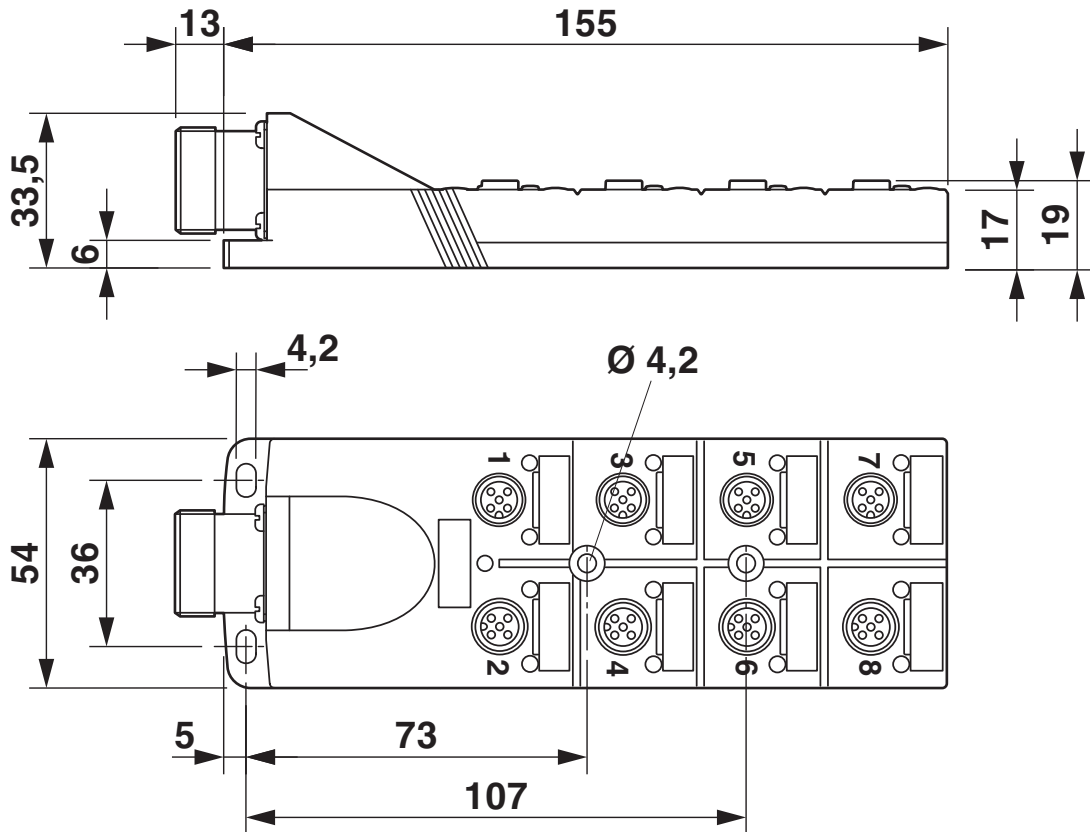
Sensor/actuator box - SACB-8/ 8-M23 180



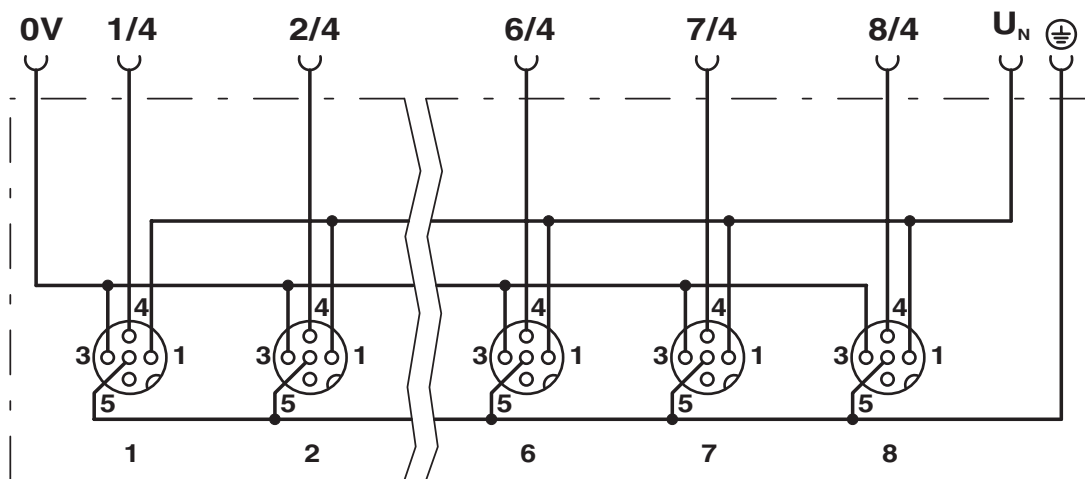
1692776

<https://www.phoenixcontact.com/pc/products/1692776>

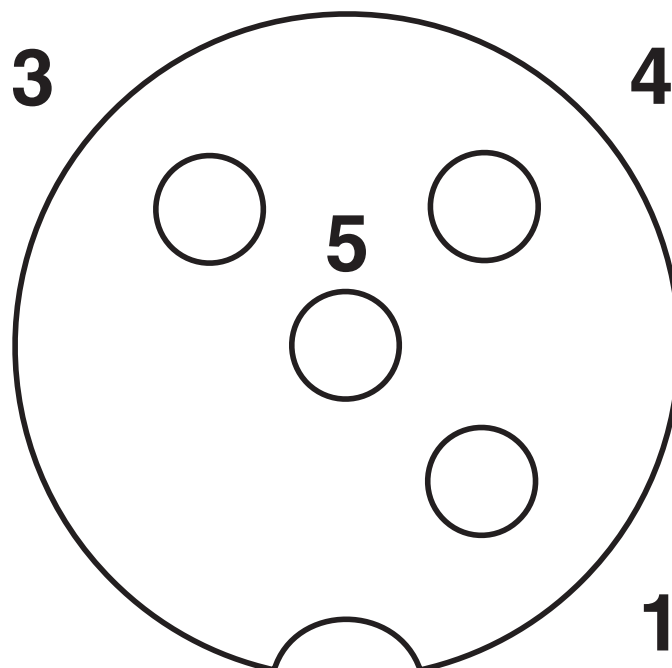
Dimensional drawing



Circuit diagram



Schematic diagram



Sensor/actuator box - SACB-8/ 8-M23 180




1692776

<https://www.phoenixcontact.com/pc/products/1692776>

Approvals

 cUL Recognized Approval ID: FILE E 118976				
	Nominal Voltage U_N	Nominal Current I_N	Cross Section AWG	Cross Section mm^2
	120 V		22 - 16	-

 UL Recognized Approval ID: FILE E 118976				
	Nominal Voltage U_N	Nominal Current I_N	Cross Section AWG	Cross Section mm^2
	120 V		22 - 16	-

 EAC Approval ID: RU C-DE.BL08.B.00511	
---	--

cULus Recognized	
-------------------------	--

Sensor/actuator box - SACB-8/ 8-M23 180



1692776

<https://www.phoenixcontact.com/pc/products/1692776>

Classifications

ECLASS

ECLASS-9.0	27440108
ECLASS-10.0.1	27440111
ECLASS-11.0	27440111

ETIM

ETIM 8.0	EC003558
----------	----------

UNSPSC

UNSPSC 21.0	31251500
-------------	----------

Sensor/actuator box - SACB-8/ 8-M23 180



1692776

<https://www.phoenixcontact.com/pc/products/1692776>

Environmental Product Compliance

REACH SVHC	Lead 7439-92-1
China RoHS	Environmentally Friendly Use Period = 50 years
	For information on hazardous substances, refer to the manufacturer's declaration available under "Downloads"

Sensor/actuator box - SACB-8/ 8-M23 180

1692776

<https://www.phoenixcontact.com/pc/products/1692776>

Accessories

Master cable

Master cable - RCK-TGUM/BL12/ 5,0PUR-U - 1684014

<https://www.phoenixcontact.com/pc/products/1684014>



Master cable, application: Sensor/actuator box, connection method: M12 socket Plastic, number of positions: 12, slot assignment: single, status display: No; master cable connection: M23 plug connection, PUR/PVC, cable length: 5 m, shielding: no

Master cable

Master cable - RCK-TGUM/BL12/10,0PUR-U - 1684027

<https://www.phoenixcontact.com/pc/products/1684027>



Master cable, application: Sensor/actuator box, connection method: M12 socket Plastic, number of positions: 12, slot assignment: single, status display: No; master cable connection: M23 plug connection, PUR/PVC, cable length: 10 m, shielding: no

Sensor/actuator box - SACB-8/ 8-M23 180

1692776

<https://www.phoenixcontact.com/pc/products/1692776>

Master cable

Master cable - RCK-TWUM/BL12/ 5,0PUR-U - 1684030

<https://www.phoenixcontact.com/pc/products/1684030>



Master cable, application: Sensor/actuator box, connection method: M12 socket Plastic, number of positions: 12, slot assignment: single, status display: No; master cable connection: M23 plug connection, PUR/PVC, cable length: 5 m, shielding: no

Master cable

Master cable - RCK-TWUM/BL12/10,0PUR-U - 1684043

<https://www.phoenixcontact.com/pc/products/1684043>



Master cable, application: Sensor/actuator box, connection method: M12 socket Plastic, number of positions: 12, slot assignment: single, status display: No; master cable connection: M23 plug connection, PUR/PVC, cable length: 10 m, shielding: no

Sensor/actuator box - SACB-8/ 8-M23 180

1692776

<https://www.phoenixcontact.com/pc/products/1692776>

Cable connector

Cable connector - V-RC/TGUM 11/KVD 11/LBL 12 - 1000041

<https://www.phoenixcontact.com/pc/products/1000041>



Cable connector, number of positions: 12, status display: No; master cable connection: M23 screw locking, shielding: no

Cable connector

Cable connector - V-RC/TWUM 11/KVD 11/LBL 12 - 1000043

<https://www.phoenixcontact.com/pc/products/1000043>



Cable connector, number of positions: 12, status display: No; master cable connection: M23 screw locking, shielding: no

Sensor/actuator box - SACB-8/ 8-M23 180

1692776

<https://www.phoenixcontact.com/pc/products/1692776>

Pipe spanner

Pipe spanner - PLUSCON-RCS - 1665062

<https://www.phoenixcontact.com/pc/products/1665062>



Pipe spanner

Cable connector

Cable connector - CA-12S1N8A8007 - 1619708

<https://www.phoenixcontact.com/pc/products/1619708>



M23, Cable connector, CA, straight, shielded: yes, Screw locking, No. of pos.: 12, Direction of rotation: Standard, type of contact: Socket, Crimp connection, cable diameter range: 6 mm ... 10 mm, coding:N, Alternative product in accordance with RoHS II without Exemption 6c (Pb < 0.1 %) item no.: 1243760

Sensor/actuator box - SACB-8/ 8-M23 180

1692776

<https://www.phoenixcontact.com/pc/products/1692776>

Cable connector

Cable connector - CA-12S1N8A8008 - 1619645

<https://www.phoenixcontact.com/pc/products/1619645>



M23, Cable connector, CA, straight, shielded: yes, Screw locking, No. of pos.: 12, Direction of rotation: Standard, type of contact: Socket, Crimp connection, cable diameter range: 10 mm ... 14.5 mm, coding:N, Alternative product in accordance with RoHS II without Exemption 6c (Pb < 0.1 %) item no.: 1243734

Protective cap

Protective cap - MSK 2 - 1665907

<https://www.phoenixcontact.com/pc/products/1665907>



Protective cap, degree of protection: IP67, when in locked state, color: silver, Alternative product in accordance with RoHS II without Exemption 6c (Pb < 0.1 %) item no.: 1245641

Sensor/actuator box - SACB-8/ 8-M23 180

1692776

<https://www.phoenixcontact.com/pc/products/1692776>

Sealing cap

Sealing cap - KSK 1 - 1685013

<https://www.phoenixcontact.com/pc/products/1685013>

Plastic sealing cap, for unoccupied M23 connectors



Screw plug

Screw plug - PROT-M12 - 1680539

<https://www.phoenixcontact.com/pc/products/1680539>

An M12 screw plug for the unoccupied M12 sockets of the sensor/actuator cable, boxes and flush-type connectors



Sensor/actuator box - SACB-8/ 8-M23 180

1692776

<https://www.phoenixcontact.com/pc/products/1692776>

Zack marker strip

Zack marker strip - ZBN 18:UNBEDRUCKT - 2809128

<https://www.phoenixcontact.com/pc/products/2809128>



Zack marker strip, Strip, white, unlabeled, can be labeled with: CMS-P1-PLOTTER, PLOTMARK, mounting type: snapped, for terminal block width: 18 mm, lettering field size: 18 x 5 mm, Number of individual labels: 5

Torque screwdriver

Torque screwdriver - TSD 04 SAC - 1208429

<https://www.phoenixcontact.com/pc/products/1208429>



Torque screwdriver, with preset torque of 0.4 Nm and 4 mm hexagonal drive for M12 connectors

Sensor/actuator box - SACB-8/ 8-M23 180

1692776

<https://www.phoenixcontact.com/pc/products/1692776>

Tool

Tool - SAC BIT M12-D15 - 1208432

<https://www.phoenixcontact.com/pc/products/1208432>



Nut for assembling sensor/actuator cables with M12 connector and M12 connectors for assembly, with a knurl diameter of 15 mm, for 4 mm hexagonal drive

Tool

Tool - SACC BIT M12-D20 - 1208445

<https://www.phoenixcontact.com/pc/products/1208445>



Nut for assembling M12 connectors for assembly with a knurl diameter of 20 mm, for 4 mm hexagonal drive

Phoenix Contact 2022 © - all rights reserved
<https://www.phoenixcontact.com>

PHOENIX CONTACT GmbH & Co. KG
Flachsmarktstraße 8
D-32825 Blomberg
+49 (0) 5235-3 00
info@phoenixcontact.com