

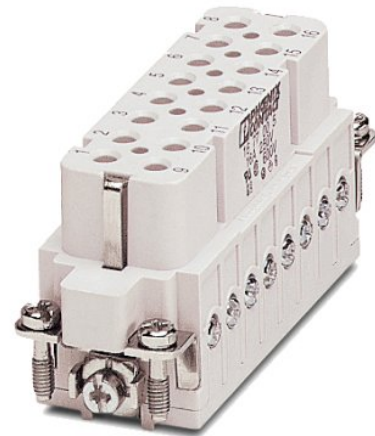


Extract from the online catalog

HC-A 16-EBUS-32

Order No.: 1677047

The illustration shows version HC-A 16-EBUS



<http://eshop.phoenixcontact.de/phoenix/treeViewClick.do?UID=1677047>

HEAVYCON female insert, A16 series, 16-pos., screw connection, numbering from 17-32

Commercial data	
EAN	4017918129668
Pack	10 pcs.
Customs tariff	85366990
Weight/Piece	0.08135 KG
Catalog page information	Page 423 (PC-2009)

Product notes

WEEE/RoHS-compliant since:
02/17/2006

<http://www.download.phoenixcontact.com>
Please note that the data given here has been taken from the online catalog. For comprehensive information and data, please refer to the user documentation. The General Terms and Conditions of Use apply to Internet downloads.

Technical data

General data	
Note	For HC-D25 / HC-D50 housing, crimp contact CK2,5-ED (crimp contacts not included in scope of supply)
Connection method	Screw connection

HC-A 16-EBUS-32 Order No.: 1677047

<http://eshop.phoenixcontact.de/phoenix/treeViewClick.do?UID=1677047>

Tightening torque	0.5 Nm
Ambient temperature (operation)	-40 °C ... 125 °C (including heating up of contacts)
Pollution degree	3
Surge voltage category	III
Constructional and testing regulations	DIN VDE 0627/86
	DIN VDE 0110/02.79
	DIN VDE 0110-1/04.97
	IEC 60664-1, DIN IEC 60512
	IEC 60352
Number of positions	16
Insertion/withdrawal cycles	≥ 500
Design	A16
Connection in acc. with standard	IEC / EN
Conductor cross section	0.5 mm ² ... 2.5 mm ²
Connection cross section AWG	20 ... 14
Stripping length of the individual wire	7 mm
Assembly instructions	Connectors may be operated only when there is no load/voltage.

Material data

Inflammability class acc. to UL 94	V0
Contact material	Copper alloy
Contact surface material	Ag
Contact carrier material	PA

Electrical characteristics

Rated voltage (III/3)	250 V
Rated surge voltage	4 kV
Rated current	16 A

Certificates / Approvals



Certification CSA, GOST, UL

CSA

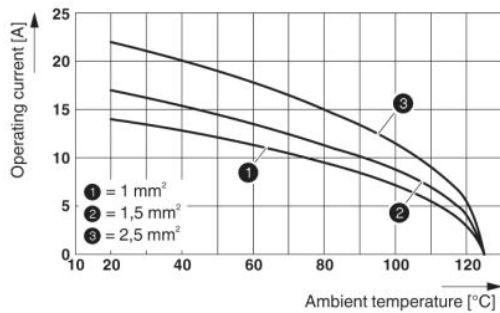
Nominal voltage U _N	600 V
--------------------------------	-------

HC-A 16-EBUS-32 Order No.: 1677047
http://eshop.phoenixcontact.de/phoenix/treeViewClick.do?UID=1677047

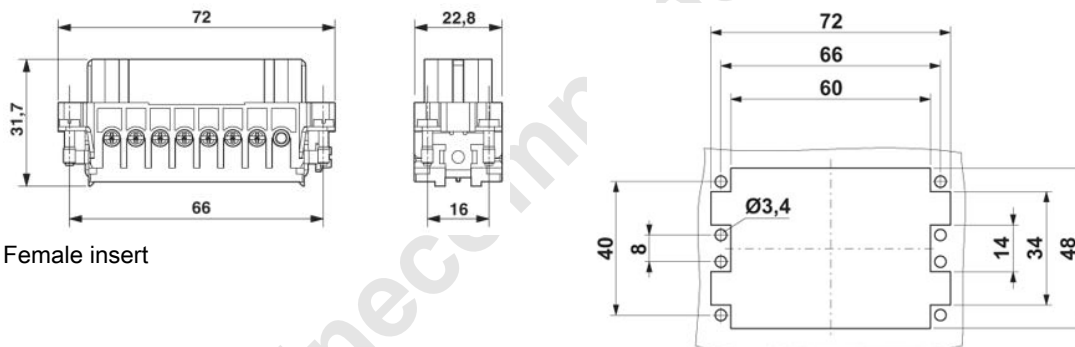
Nominal current I_N	10 A
UL	
AWG/kcmil	20-13

Drawings

Diagram

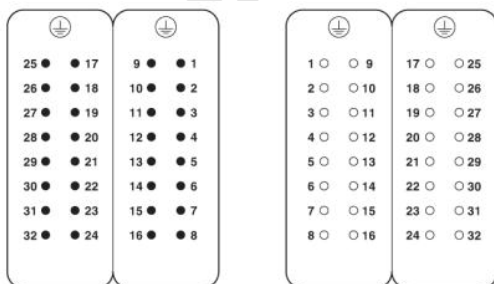


Dimensioned drawing



Female insert

Schematic diagram



HC-A 16-EBUS-32 Order No.: 1677047
<http://eshop.phoenixcontact.de/phoenix/treeViewClick.do?UID=1677047>

Address

PHOENIX CONTACT GmbH & Co. KG
Flachsmarktstr. 8
32825 Blomberg, Germany
Phone +49 5235 3 00
Fax +49 5235 3 41200
<http://www.phoenixcontact.de>



© 2009 Phoenix Contact
Technical modifications reserved;

onlinecomponents.com