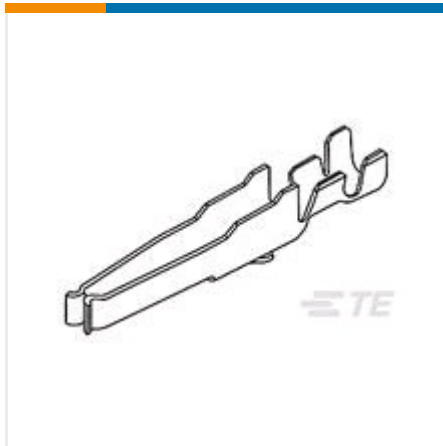




CONNECTORS

RACK & PANEL CONTACTS



✓ Active

TE CONNECTIVITY (TE)

IEC-F F.CONT.COSI

EUROCARD | Eurocard , IAC

166460-2

TE Internal Number: 166460-2

EU RoHS Compliant

EU ELV Compliant

Contact Type Socket

Contact Configuration Snap-In

Length (mm) 22.2

Contact Mating Area Plating Material Gold

Connector & Contact Terminates To Wire & Cable

[↓ PRODUCT DRAWING](#)
English

[↓ 3D PDF](#)

DOCUMENTATION

Product Drawings

Crimp-On/Snap-In Tab Receptacle Strir

PDF

English

CAD Files

3D PDF

PDF

3D

Customer View Model

2D_DXF.ZIP

English

Customer View Model

3D_IGS.ZIP

English

Customer View Model

3D_STP.ZIP

English

FEATURES



Please review product documents or [contact us](#) for the latest agency approval information.

Please Note: Use the Product Drawing for all design activity.

Product Type Features

DIN Level I

Connector & Contact Terminates To Wire & Cable

Product Type Contact

Body Features

Body Style Straight

Contact Features

Contact Angle Straight

Contact Type Socket

Contact Configuration Snap-In

Contact Mating Area Plating Material Gold

Contact Base Material Phosphor Bronze

Contact Mating Area Plating Thickness (µm) 1.25

Termination Features

Termination Method to Wire/Cable Crimp

Mechanical Attachment

Contact Retention in Housing Crimp Snap-In

Dimensions

Length (mm) 22.2

Wire Range 26 – 20 AWG [.12 – .6 mm²]

Wire Insulation Diameter 1.1 – 1.8 mm [.043 – .071 in]

Operation/Application

For Use With Type F Vertical Housing

Packaging Features

Packaging Method Strip

PRODUCT COMPLIANCE



Statement of Compliance

Statement of Compliance

PDF
