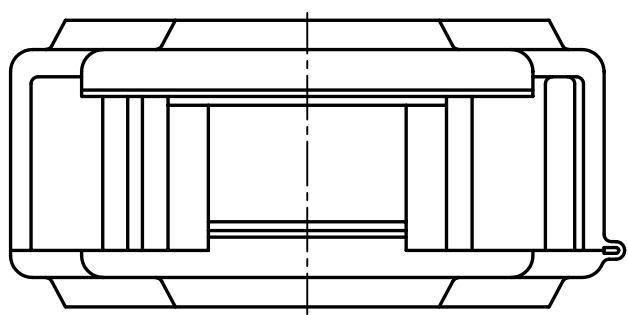
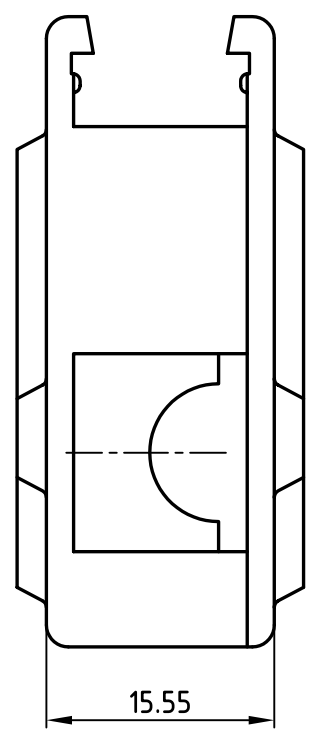
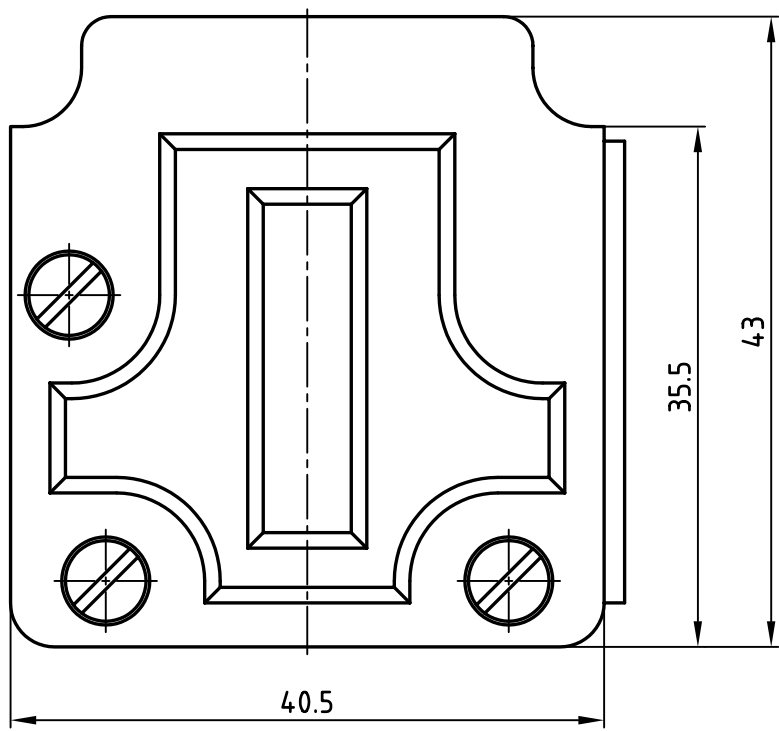


used for: D-SUB



APPROVAL # FREIGABE # DEBLOCAGE # AUTORIZACION # APPROVAL

CUSTOMER APPROVAL DATE:

NAME: TITLE:

COMPANY NAME:

APPROVAL # FREIGABE # DEBLOCAGE # AUTORIZACION # APPROVAL

Directive 2002/95/EC
"RoHS"
Compliant

THIS DRAWING MAY NOT BE COPIED OR REPRODUCED IN ANY WAY, AND MAY NOT BE PASSED ON TO A THIRD PARTY WITHOUT WRITTEN PERMISSION.
OWNERSHIP AND COPYRIGHT OF CONEC GmbH
DO NOT ALTER CAD DRAWING BY HAND

tolerance		dim. in mm	
2006	date	name	
drawn	09.02.	Lehmenkühler	
appd.	09.02.	Mickenbecker	
norm			
d-old			
a	Origin		
rev.	description	date	name



scale:	2:1	
material:	PP; black	
title:	PLASTIC HOOD 25pos. WITH TWO ENTRIES straight and side hinged version	
dwg no:	AutoCAD	DIN-A
	16K1A1747	4
part no:	165X13239XE	
		sh: 1/1