

Patch cable - VS-04-2X2X26C7/7-SDA/OE/1,0



1655771

<https://www.phoenixcontact.com/us/products/1655771>

Please be informed that the data shown in this PDF document is generated from our Online Catalog. Please find the complete data in the user documentation. Our General Terms of Use for Downloads are valid.



Assembled USB cable, shielded, color: RAL 5021 (water blue), PUR outer sheath, USB type A/standard on open cable end, length: 1 m

Commercial Data

Item number	1655771
Packing unit	1 pc
Minimum order quantity	1 pc
Note	Made to Order (non-returnable)
Sales Key	A08
Product Key	ABNAEC
Catalog Page	Page 452 (C-2-2019)
GTIN	4017918993863
Weight per Piece (including packing)	75.2 g
Weight per Piece (excluding packing)	75 g
Customs tariff number	85444290
Country of origin	DE

Patch cable - VS-04-2X2X26C7/7-SDA/OE/1,0



1655771

<https://www.phoenixcontact.com/us/products/1655771>

Technical Data

Product properties

Product type	Data plug
Number of positions	4
Shielded	yes

Insulation characteristics

Degree of pollution	2
---------------------	---

Electrical properties

Rated voltage (III/3)	125 V
Rated current	1 A
Transmission medium	Copper

Material specifications

Housing material	PA
------------------	----

Connector

Insertion/withdrawal cycles	≥ 500
-----------------------------	-------

Cable / line

Cable length	1.00 m
Cable structure	2x2xAWG26/7 + 2xAWG20/19; S/FTP
External cable diameter	6.70 mm
Outer sheath, material	PUR
External sheath, color	water blue RAL 5021
Conductor material	Bare Cu litz wires
Conductor structure signal line	7x 0.15 mm
AWG signal line	26
Conductor structure, voltage supply	19x 0.20 mm
AWG power supply	20
Wire diameter incl. insulation	1 mm (Signal line)
Wave impedance	100 Ω ±5 % (Signal line)
Smallest bending radius, fixed installation	≥ 35 mm
Smallest bending radius, movable installation	≥ 35 mm
Smallest bending radius, fixed installation	≥ 35 mm
Smallest bending radius, movable installation	≥ 35 mm
Ambient temperature (operation)	-20 °C ... 60 °C (cable, fixed installation) 0 °C ... 50 °C (Cable, flexible installation)

Environmental and real-life conditions

Ambient conditions

Degree of protection	IP20
----------------------	------

Patch cable - VS-04-2X2X26C7/7-SDA/OE/1,0



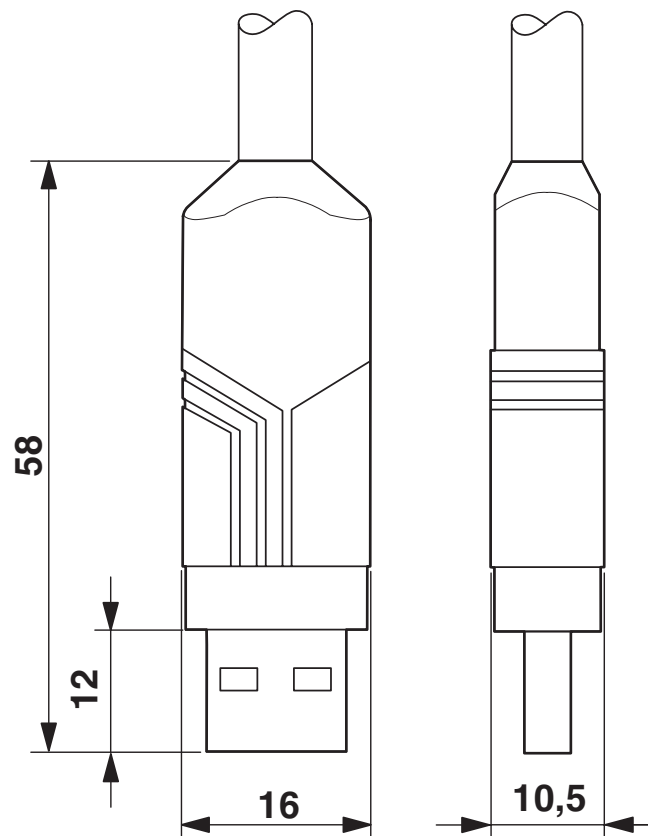
1655771

<https://www.phoenixcontact.com/us/products/1655771>

Degree of protection	IP20
Ambient temperature (operation)	-20 °C ... 60 °C (cable, fixed installation)
	0 °C ... 50 °C (Cable, flexible installation)
	Plug / socket

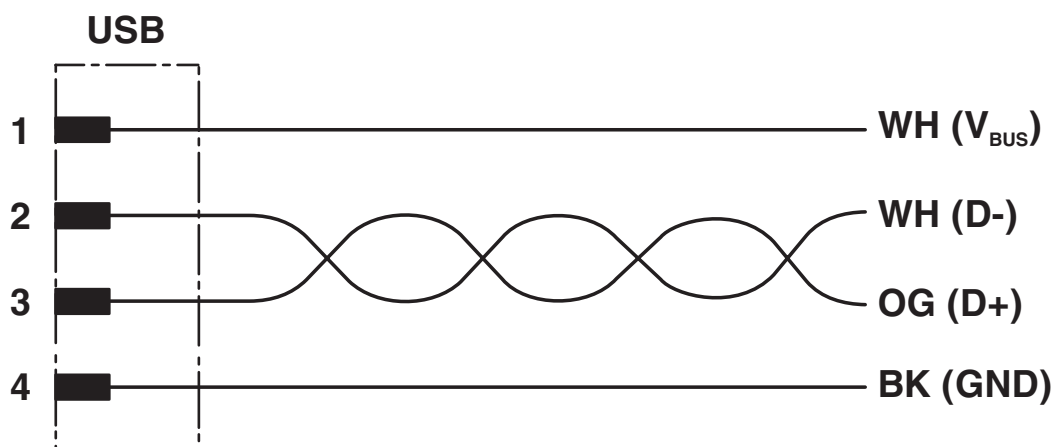
Drawings

Dimensional drawing



USB connector, type A, Standard

Circuit diagram



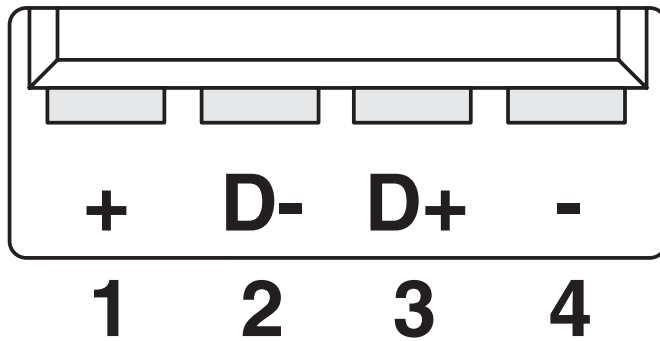
Patch cable - VS-04-2X2X26C7/7-SDA/OE/1,0

1655771

<https://www.phoenixcontact.com/us/products/1655771>



Schematic diagram



Pin assignment plug USB, type A

Patch cable - VS-04-2X2X26C7/7-SDA/OE/1,0



1655771

<https://www.phoenixcontact.com/us/products/1655771>

Approvals



EAC

Approval ID: 19060508

Patch cable - VS-04-2X2X26C7/7-SDA/OE/1,0



1655771

<https://www.phoenixcontact.com/us/products/1655771>

Classifications

ECLASS

ECLASS-9.0	27060390
ECLASS-10.0.1	27060390
ECLASS-11.0	27060390

ETIM

ETIM 8.0	EC000748
----------	----------

UNSPSC

UNSPSC 21.0	26121600
-------------	----------

Patch cable - VS-04-2X2X26C7/7-SDA/OE/1,0



1655771

<https://www.phoenixcontact.com/us/products/1655771>

Environmental Product Compliance

China RoHS	Environmentally friendly use period: unlimited = EFUP-e
	No hazardous substances above threshold values

Phoenix Contact 2022 © - all rights reserved
<https://www.phoenixcontact.com>

Phoenix Contact USA
586 Fulling Mill Road
Middletown, PA 17057, United States
(+717) 944-1300
info@phoenixcon.com