

HDC-C-HE-BM0.5AU**Weidmüller Interface GmbH & Co. KG**

Klingenbergstraße 26

D-32758 Detmold

Germany

www.weidmueller.com



Crimps provide a electrical and mechanical connection between wire and contact that is both secure and reliable. The optimal crimp connection is gas-tight and corrosion-resistant.

General ordering data

Version	Heavy-duty connectors, Crimp contact, HE, HEE, HQ, MixMate, Female, Conductor cross-section, max.: 0.5, turned, Copper alloy
Order No.	1651470000
Type	HDC-C-HE-BM0.5AU
GTIN (EAN)	4008190400149
Qty.	100 pc(s).

Creation date March 12, 2024 1:43:11 PM CET

Catalogue status 09.03.2024 / We reserve the right to make technical changes.

HDC-C-HE-BM0.5AU**Weidmüller Interface GmbH & Co. KG**

Klingenbergstraße 26

D-32758 Detmold

Germany

www.weidmueller.com

Technical data**Dimensions and weights**

Diameter	4.5 mm	Net weight	1.52 g
----------	--------	------------	--------

General data

Conductor cross-section, max.	0.5 mm ²	Contact diameter, male Ø	2.5 mm
Contact material	Copper alloy	Cross-section for connected wire	0.5 mm ²
Material	Copper alloy	Plugging cycles	≥ 500
Production methods	turned	Series	HE
Stripping length, rated connection	7.5 mm	Surface finish	gold
Surface layer thickness, max.	1.25 µm	Surface layer thickness, min.	0.75 µm
Type	Female	Type of connection	Crimp connection
Version insert	HE, HEE, HQ, MixMate	Volume resistance	≤2 mΩ

Classifications

ETIM 6.0	EC000796	ETIM 7.0	EC000796
ETIM 8.0	EC000796	ETIM 9.0	EC000796
ECLASS 9.0	27-44-02-04	ECLASS 9.1	27-44-02-04
ECLASS 10.0	27-44-02-04	ECLASS 11.0	27-44-02-04
ECLASS 12.0	27-44-02-04	ECLASS 13.0	27-44-02-04

Environmental Product Compliance

REACH SVHC	Lead 7439-92-1
SCIP	6eabd5ae-2d6b-409e-8bdf-87c27ee10e40

Approvals

Approvals



ROHS	Conform
UL File Number Search	UL Website
Certificate No. (cURus)	E92202

Downloads

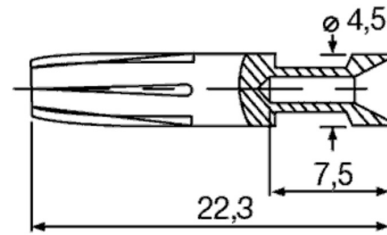
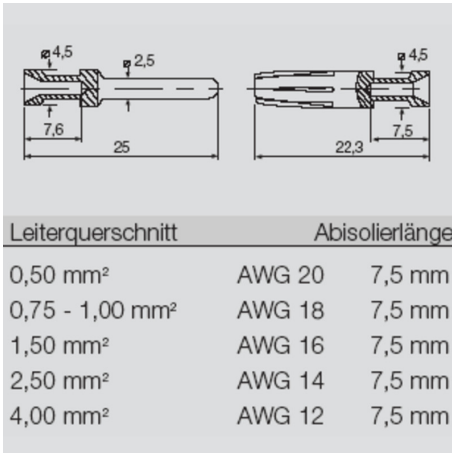
Engineering Data	CAD data – STEP
Catalogues	Catalogues in PDF-format
Brochures	FL FIELDWIRING EN FL FIELDWIRING EN

HDC-C-HE-BM0.5AU

Weidmüller Interface GmbH & Co. KG
 Klingenbergstraße 26
 D-32758 Detmold
 Germany

www.weidmueller.com

Drawings



HDC-C-HE-BM0.5AU**Weidmüller Interface GmbH & Co. KG**

Klingenbergstraße 26

D-32758 Detmold

Germany

www.weidmueller.com

Accessories**Crimping tools****Crimping tools for turned contacts**

- Ratchet guarantees precise crimping
- Release option in the event of incorrect operation
- With stop for exact positioning of the contacts.

General ordering data

Type	CTX CM 1.6/2.5	Version
Order No.	9018490000	Pressing tool, Crimping tool for contacts, 0.14mm ² , 4mm ² , W crimp
GTIN (EAN)	4008190884598	
Qty.	1 pc(s).	
Type	CTIN CM 1.6/2.5	Version
Order No.	9205430000	Pressing tool, Crimping tool for contacts, 0.14mm ² , 6mm ² , 4-indent
GTIN (EAN)	4032248733446	crimp
Qty.	1 pc(s).	

Contact removal tools

Weidmüller offers a variety of crimping tools, contact removal tools, and fibre optic tools.

General ordering data

Type	REMOVAL TOOL HE	Version
Order No.	1866750000	Tools, Contact Removal Tool
GTIN (EAN)	4032248437078	
Qty.	1 pc(s).	