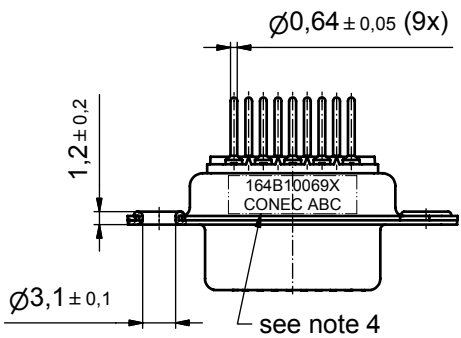
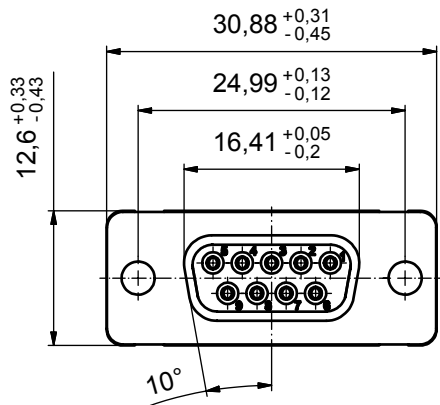
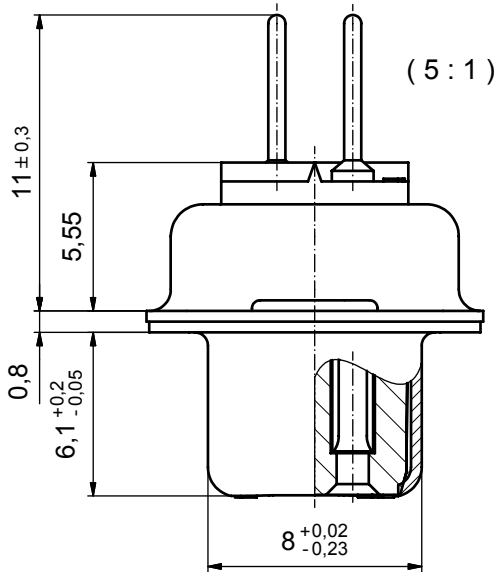
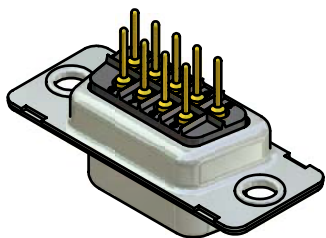
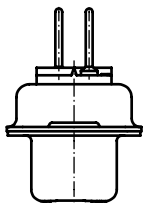


P.C.B. HOLE DRILLINGS
(P.C.B. TOP SIDE)



see note 4



Directive 2002/95/EC
RoHS
Compliant

NOTES:

- METALSHELLS: STEEL; min. 315µin TIN over 40-80µin NICKEL
- INSULATORS: PBT GF UL 94 V-0, BLACK
- CONTACTS: COPPER ALLOY
PLATING: 20µin HARD GOLD over min. 50µin NICKEL
- CONNECTOR IS PART MARKED: 164B10069X CONEC ABC

APPROVAL # FREIGABE # DEBLOCAGE # AUTORIZACION # APPROVAL

CUSTOMER APPROVAL DATE:

NAME: TITLE:

COMPANY NAME:

APPROVAL # FREIGABE # DEBLOCAGE # AUTORIZACION # APPROVAL

finish:				tolerance		dim. in mm	scale: 2:1 (5:1)	
see notes							material: see notes	
DO NOT ALTER CAD DRAWING BY HAND				date	name		title: D-SUB FEMALE 9pos. SOLDER PIN STRAIGHT	
				drawn	30.06.10	Schmidt		
				appd.	30.06.10	Fischer		
				norm				
				d-old			dwg no: Inventor 10	DIN-A3
a	Origin			CONEC®		16K2A1911		sh: 1
rev.	description	date	name			part no: 164B10069X		

dwg no: Inventor 10		DIN-A3
16K2A1911		sh: 1
part no: 164B10069X		