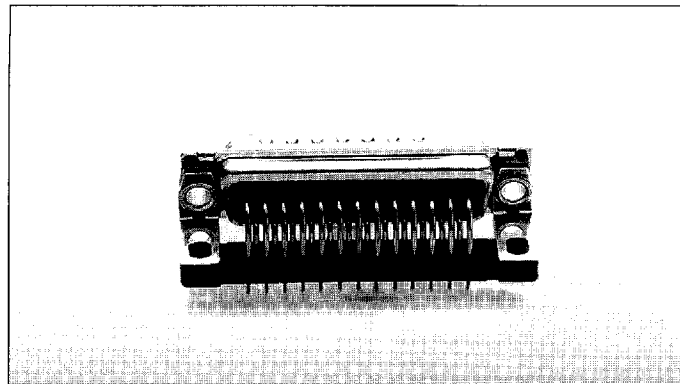


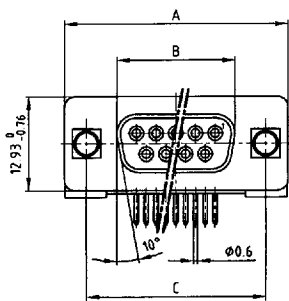
## D-Subminiature connectors



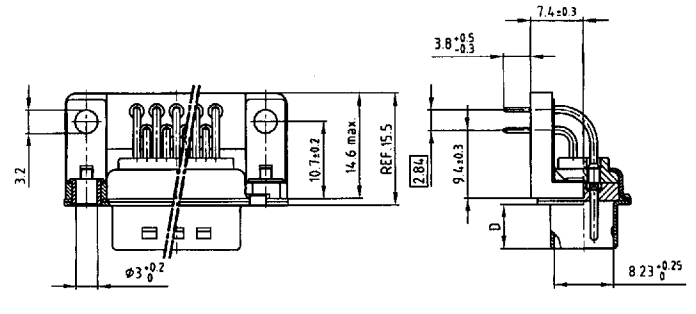
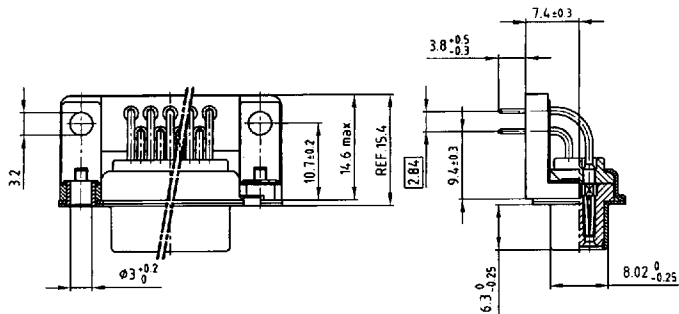
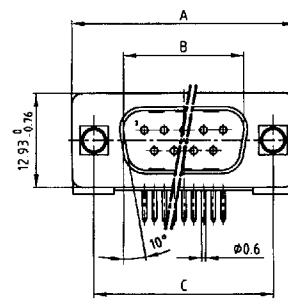
•37 inch

Solder pin angled with riveted mounting and grounding bracket

Socket connector



Plug connector



Kat 1 i 10A

No. of pos.	A - 0,76	B - 0,25	C
9	31,19	16,46	25,00 <sup>+0,12</sup> / <sub>-0,13</sub>
15	39,52	24,79	33,30 <sup>+0,15</sup> / <sub>-0,13</sub>
25	53,42	38,50	47,04 <sup>+0,13</sup> / <sub>-0,13</sub>
37	69,70	54,96	63,50 <sup>+0,13</sup> / <sub>-0,13</sub>

Kat 1 i 11A

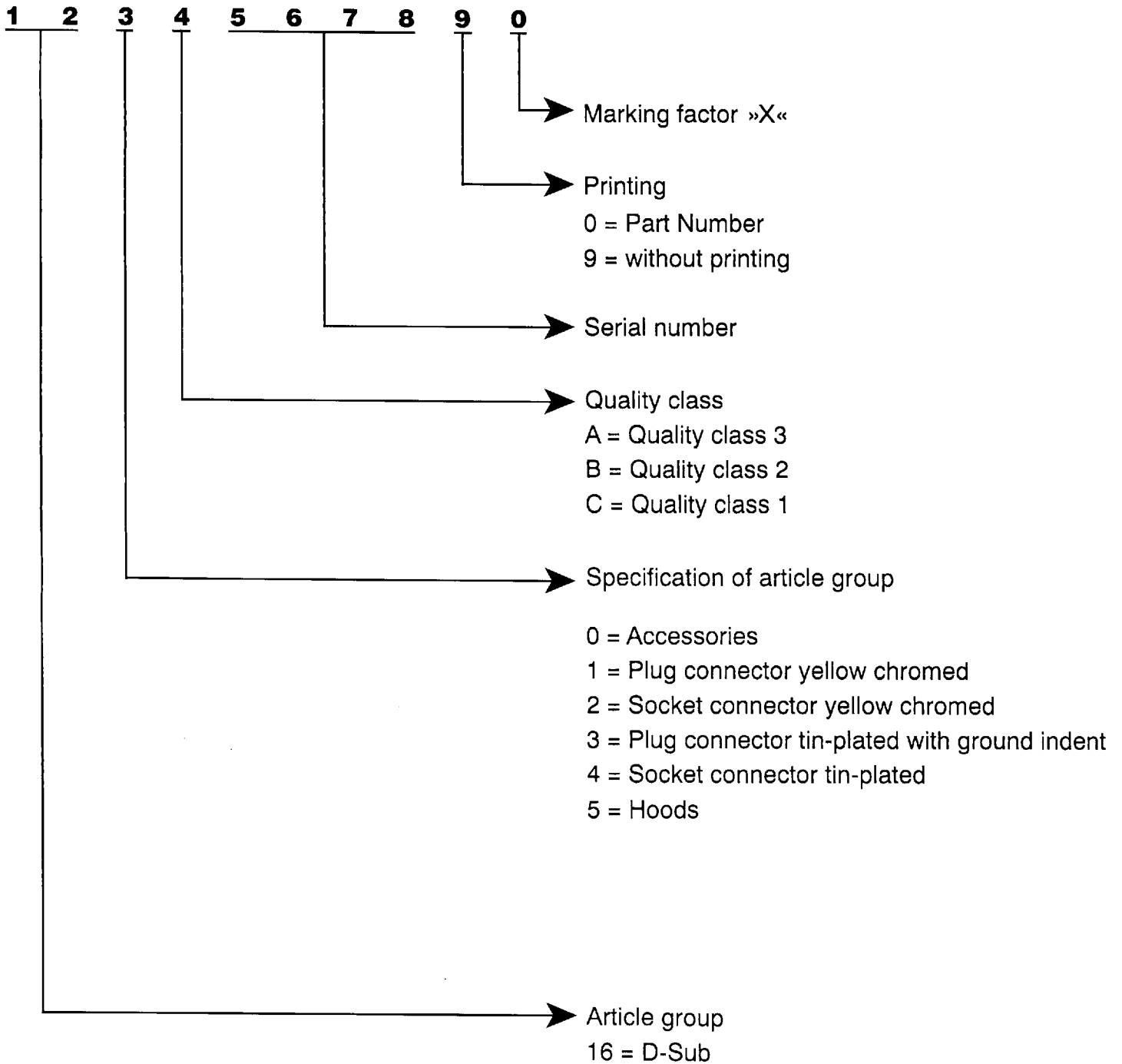
No. of pos.	A - 0,76	B <sup>+0,25</sup>	C	D - 0,30
9	31,19	16,79	25,00 <sup>+0,12</sup> / <sub>-0,13</sub>	6,12
15	39,52	25,12	33,30 <sup>+0,15</sup> / <sub>-0,13</sub>	6,12
25	53,42	38,84	47,04 <sup>+0,13</sup> / <sub>-0,13</sub>	5,99
37	69,70	55,30	63,50 <sup>+0,13</sup> / <sub>-0,13</sub>	5,99

## Part numbers

No. of Pos.	Socket connector tin-plated – solder pin angled
9	CDF 09 ABZKNESN 164 A 12469 X
15	CDF 15 ABZKNESN 164 A 124479 X
25	CDF 25 ABZKNESN 164 A 12489 X
37	CDF 37 ABZKNESN 164 A 12499 X

No. of Pos.	Plug connector tin-plated with ground indent – solder pin angled
9	CDS 09 AFBZKNESN 163 A 14069 X
15	CDS 15 AFBZKNESN 163 A 14079 X
25	CDS 25 AFBZKNESN 163 A 14089 X
37	CDS 37 AFBZKNESN 163 A 14099 X

### Part Number



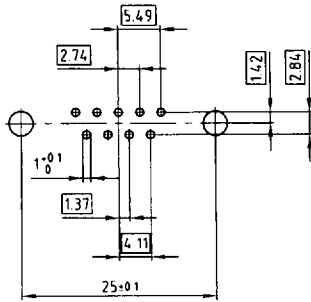
### Order example

Plug connector Solder bucket 25 pos. without printing	
Quality class	Part Number
3	CDS 25 L <b>161 A 10039 X</b>
2	CDS 25 L <b>161 B 10039 X</b>
1	CDS 25 L <b>161 C 10039 X</b>

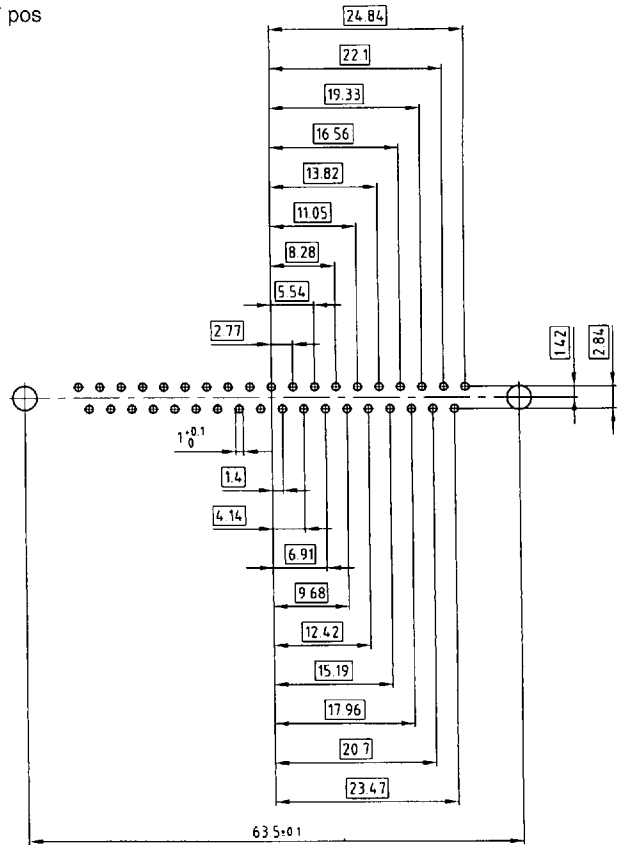
9017935 0000071 237

# Hole pattern for straight and angled solder pins D-Sub standard

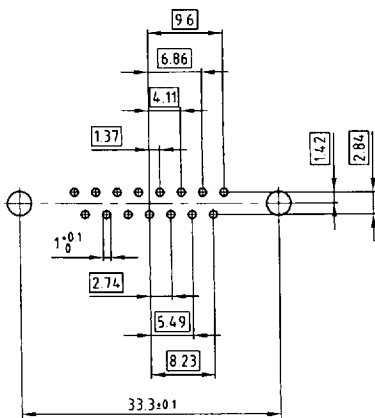
9 pos



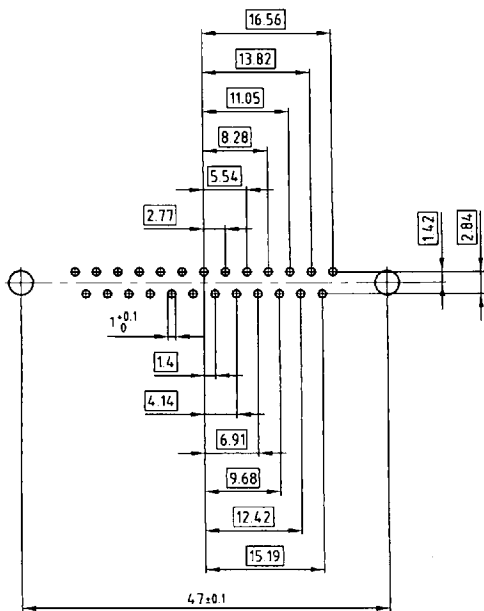
37 pos



15 pos

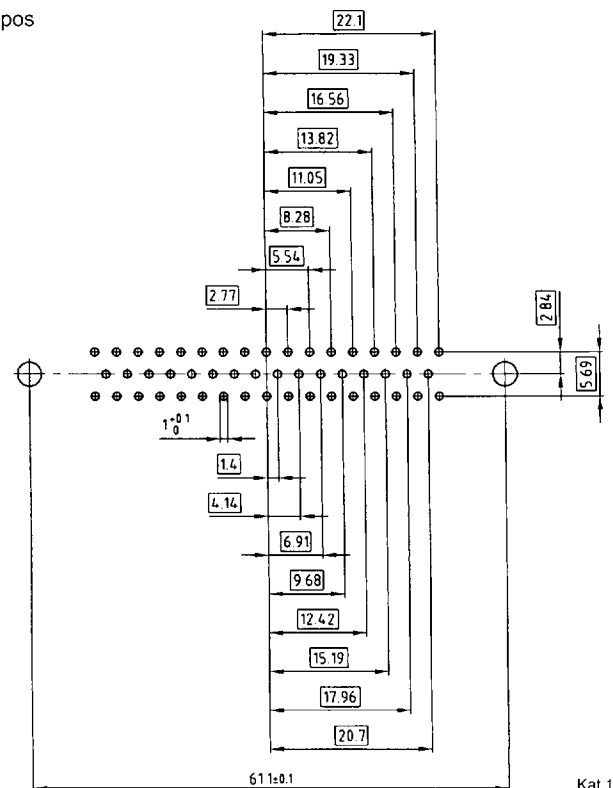


25 pos



Kat 1 i U3A

50 pos



Kat 1 i U4A

Technical Data	D-Sub Standard	D-Sub High Density
Initial contact resistance	≤ 10 mΩ	≤ 10 mΩ
Initial insulation resistance	Quality class 1 ≥ 5GΩ Quality class 2 ≥ 5GΩ Quality class 3 ≥ 5GΩ	Quality class 1 ≥ 5GΩ Quality class 2 ≥ 5GΩ Quality class 3 ≥ 5GΩ
Clearance distance	contact–contact ≥ 1.0 mm contact–ground ≥ 1.2 mm	≥ 0.6 mm
Creepage distance	contact–contact ≥ 1.0 mm contact–ground ≥ 1.2 mm	≥ 0.6 mm
Test voltage V. r. m. s./NM	1000 V	1000 V
Working voltage/Insulation group* * nach SEV 50 V – acc. to SEV 50 V	125 V ≈	60 V ≈
Working current 20° C	5 A max.	25 A max.
Operating temperature	- 55° C – + 125° C	- 55° C – + 125° C
Moulding material	Polyester GF UL 94 V-O	PA 6.6 GF 25 UL 94 V-O
Contact material	Copper alloy	Copper alloy
Contact finish	hard-gold-plated over nickel	hard-gold-plated over nickel
Shell	Sheet steel, zinc lined and yellow chromate Sheet steel, nickel underneath and tin-plated	Sheet steel, nickel underneath and tin-plated
Insertion and withdrawal forces	9-polig/way 30 N 15-polig/way 50 N 25-polig/way 83 N 37-polig/way 123 N 50-polig/way 167 N	15-polig/way 50 N 26-polig/way 84 N 44-polig/way 120 N 62-polig/way 170 N 78-polig/way 200 N
Quality classes	Quality class 1 Quality class 2 Quality class 3	500 mating cycles 200 mating cycles 50 mating cycles