

1645568-1 ✓ ACTIVE

Z-PACK | Z-PACK 2mm HM

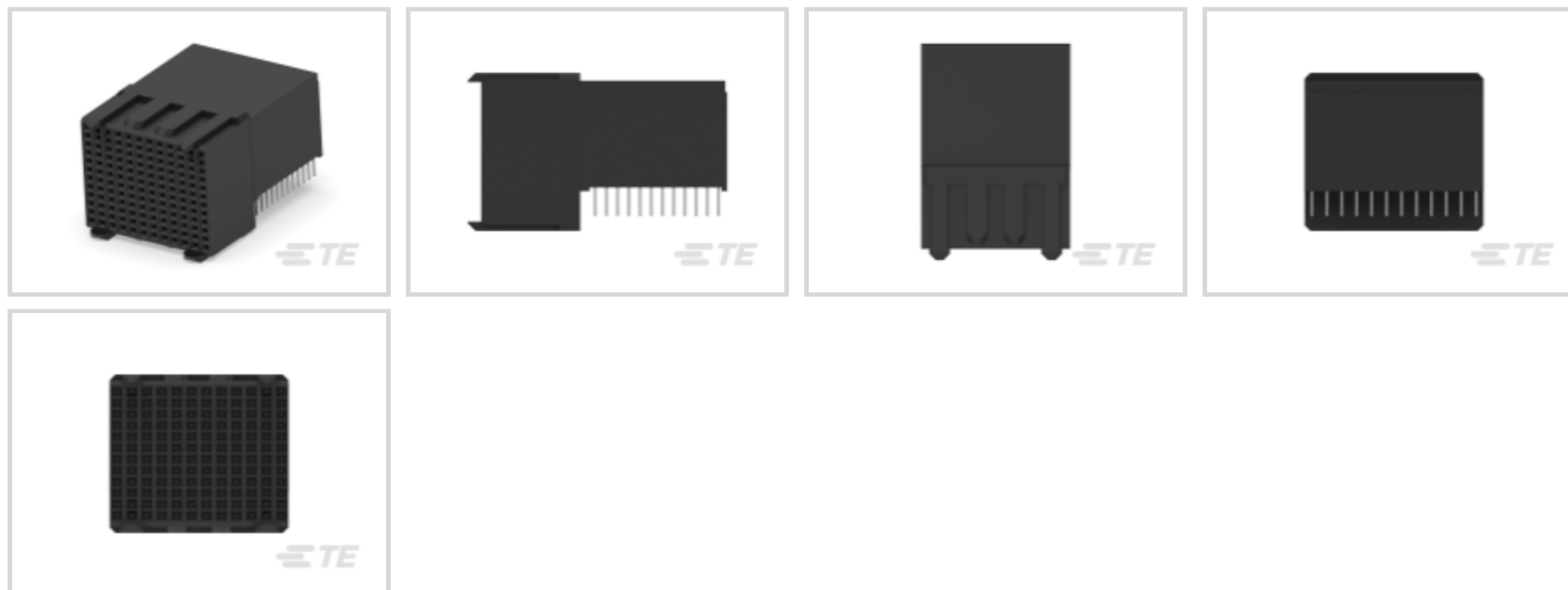
TE Internal #: 1645568-1

Z-PACK 2mm HM, High Speed Backplane Connectors, Board-to-Board, 144 Position, Row-to-Row Spacing 1.5 mm [.059 in], Mating Alignment

[View on TE.com >](#)



Connectors > PCB Connectors > Backplane Connectors > High Speed Connectors



Connector System: **Board-to-Board**

Number of Positions: **144**

Row-to-Row Spacing: **1.5 mm [.059 in]**

Mating Alignment: **With**

Mating Alignment Type: **Polarization**

Features

Product Type Features

Connector System	Board-to-Board
PCB Connector Assembly Type	PCB Mount Receptacle
Sealable	No
Connector & Contact Terminates To	Printed Circuit Board

Configuration Features

Number of Signal Positions	144
Number of Positions	144
Number of Rows	12
Number of Columns	12
PCB Mount Orientation	Right Angle
Guide Location	Unguided

Contact Features

Contact Current Rating (Max)	1 A
------------------------------	-----

Mechanical Attachment



Mating Alignment	With
Mating Alignment Type	Polarization
Connector Mounting Type	Board Mount

Housing Features

Number of Shrouded Sides	0
Centerline (Pitch)	1.5 mm [.059 in]

Dimensions

Row-to-Row Spacing	1.5 mm [.059 in]
--------------------	------------------

Usage Conditions

Operating Temperature Range	-55 – 85 °C [-67 – 185 °F]
-----------------------------	----------------------------

Operation/Application

Circuit Application	Signal
---------------------	--------

Packaging Features

Packaging Method	Tube
------------------	------

Product Compliance

[For compliance documentation, visit the product page on TE.com>](#)

EU RoHS Directive 2011/65/EU	Compliant
EU ELV Directive 2000/53/EC	Compliant
China RoHS 2 Directive MIIT Order No 32, 2016	No Restricted Materials Above Threshold
EU REACH Regulation (EC) No. 1907/2006	Current ECHA Candidate List: JUN 2020 (209) Not Yet Reviewed
Halogen Content	Not Low Halogen - contains Br or Cl > 900 ppm.
Solder Process Capability	Not applicable for solder process capability

Product Compliance Disclaimer

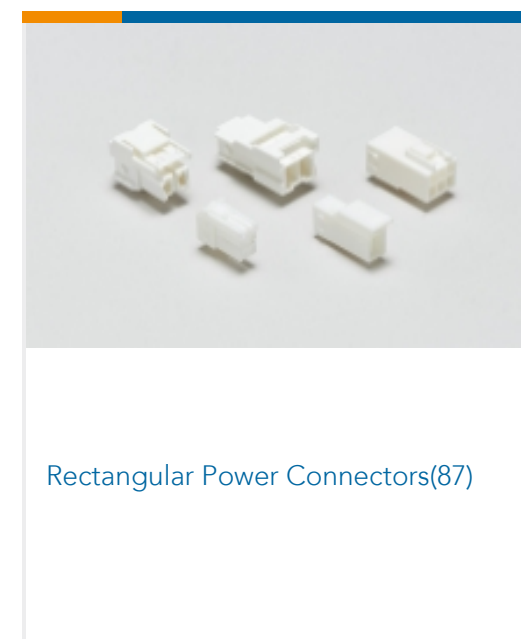
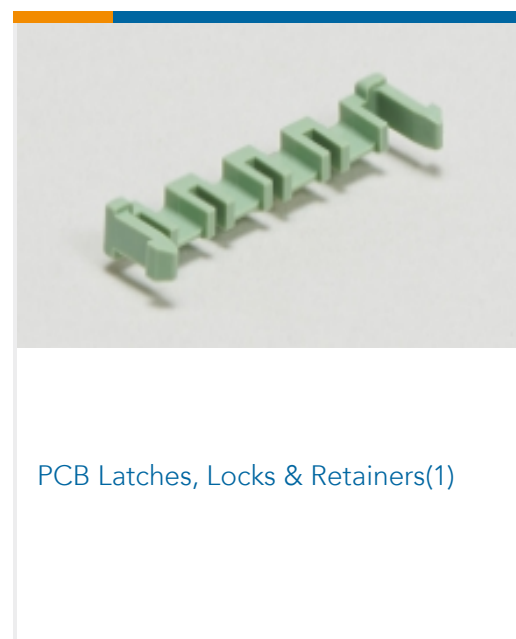
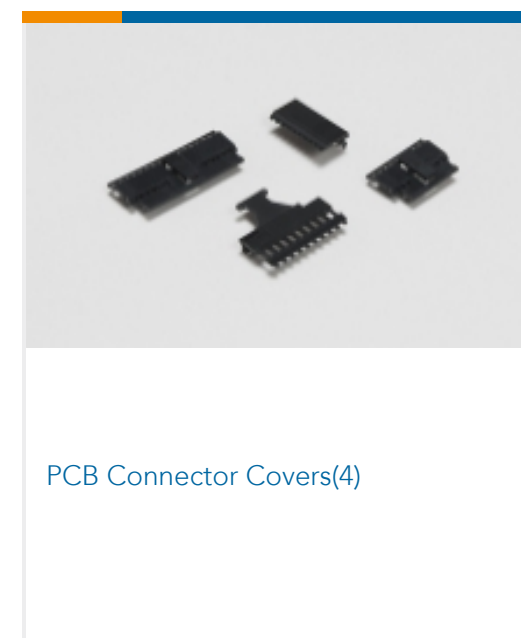
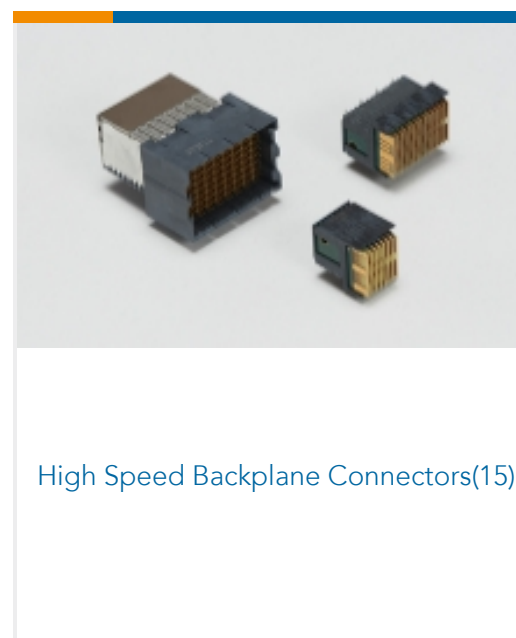
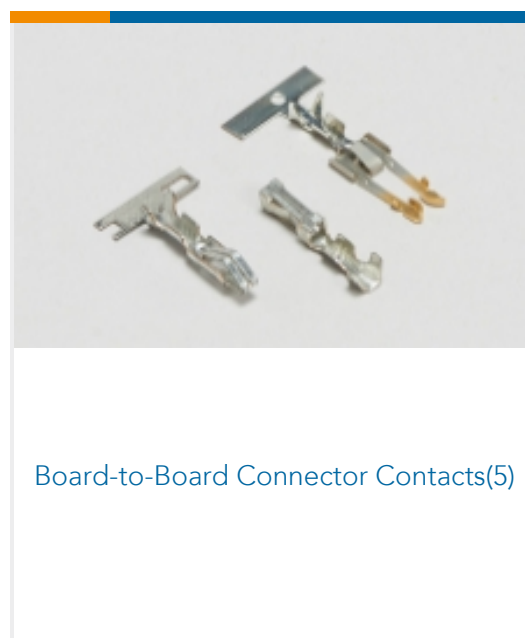
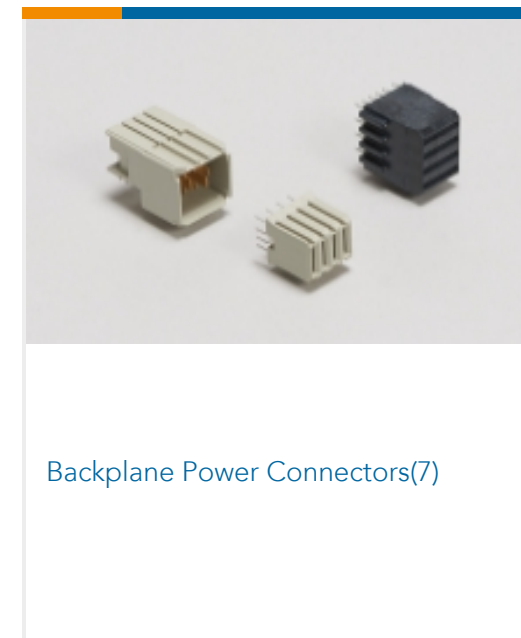
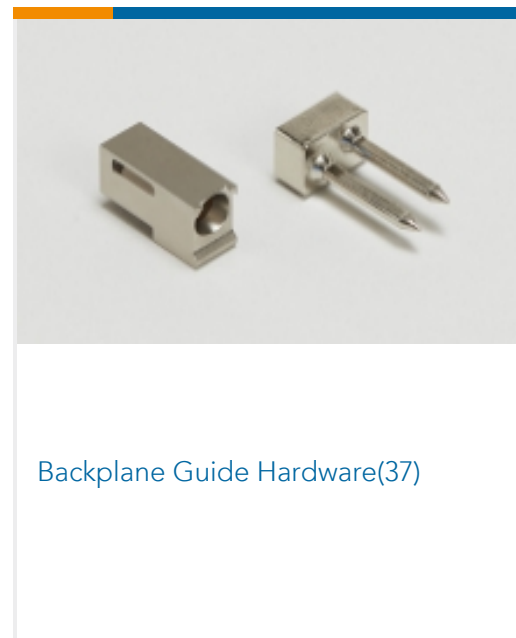
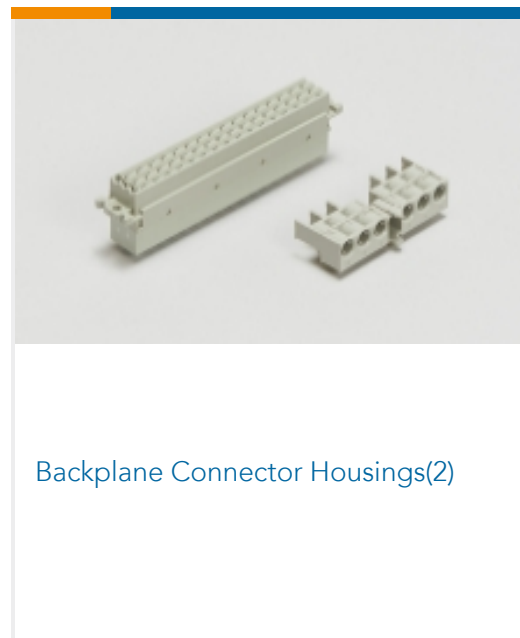
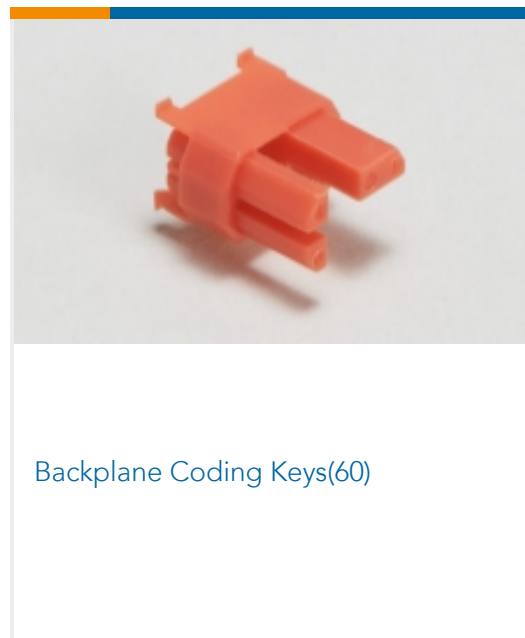
This information is provided based on reasonable inquiry of our suppliers and represents our current actual knowledge based on the information they provided. This information is subject to change. The part numbers that TE has identified as EU RoHS compliant have a maximum concentration of 0.1% by weight in homogenous materials for lead, hexavalent chromium, mercury, PBB, PBDE, DBP, BBP, DEHP, DIBP, and 0.01% for cadmium, or qualify for an exemption to these limits as defined in the Annexes of Directive 2011/65/EU (RoHS2). Finished electrical and electronic equipment products will be CE marked as required by Directive 2011/65/EU. Components may not be CE marked. Additionally, the part numbers that TE has identified as EU ELV compliant have a maximum concentration of 0.1% by weight in homogenous materials for lead, hexavalent chromium, and mercury, and 0.01% for cadmium, or qualify for an exemption to these limits as defined in the Annexes of Directive 2000/53/EC (ELV). Regarding the REACH Regulations, TE's information on SVHC in articles for this part number is still based on the European Chemical Agency (ECHA) 'Guidance on requirements for substances in articles' (Version: 2, April 2011), applying the 0.1% weight on weight concentration threshold at the finished

product level. TE is aware of the European Court of Justice ruling of September 10th, 2015 also known as O5A (Once An Article Always An Article) stating that, in case of 'complex object', the threshold for a SVHC must be applied to both the product as a whole and simultaneously to each of the articles forming part of its composition. TE has evaluated this ruling based on the new ECHA "Guidance on requirements for substances in articles" (June 2017, version 4.0) and will be updating its statements accordingly.

Compatible Parts



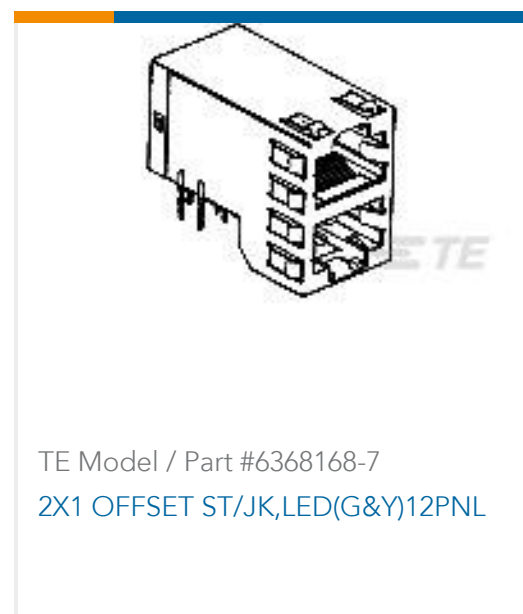
Also in the Series | Z-PACK 2mm HM



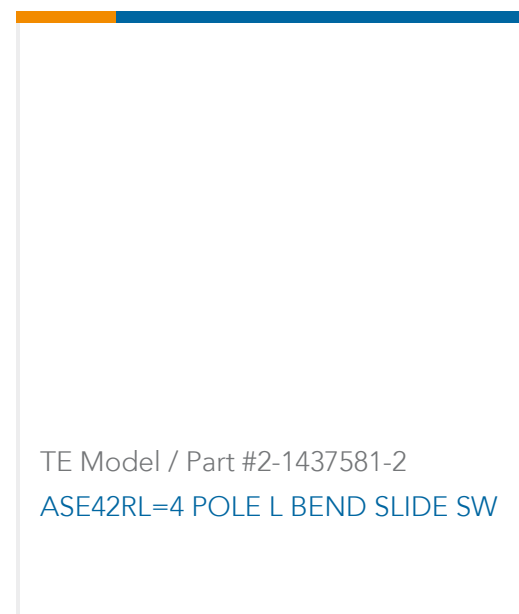
Customers Also Bought



TE Model / Part #4-1879138-9
RN 0603 5K11 0.1% 10PPM 5K RL



TE Model / Part #6368168-7
2X1 OFFSET ST/JK,LED(G&Y)12PNL



TE Model / Part #2-1437581-2
ASE42RL=4 POLE L BEND SLIDE SW



TE Model / Part #7-1879269-7
RP 2A 40R2 0.1% 15PPM 1K RL



TE Model / Part #2170199-1
1XN XFP CAGES



TE Model / Part #3-1744163-4
04P MTA100 HDR ASSY SM 30AU LF



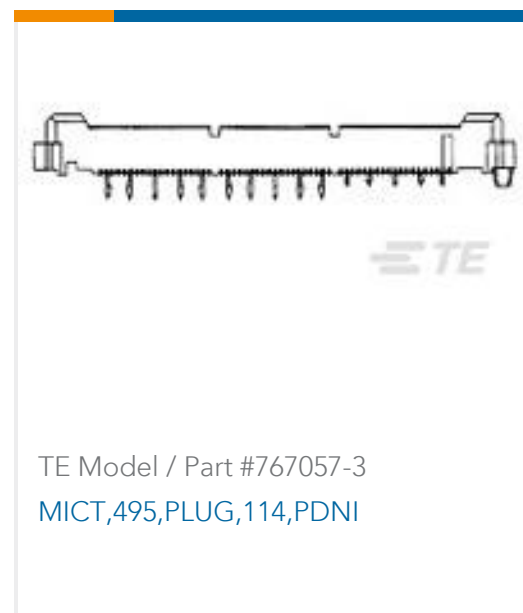
TE Model / Part #1645569-1
12 ROW HM RA REC ASY 072P LFT



TE Model / Part #1645570-1
12 ROW HM RA REC ASY 072P RGHT



TE Model / Part #87283-2
02 MODI HDR SRST .156CL



TE Model / Part #767057-3
MICT,495,PLUG,114,PDNI

Documents

Product Drawings

[12 ROW HM RA REC ASY 144P CTR](#)

English

CAD Files

[3D PDF](#)

3D

Customer View Model

[ENG_CVM_CVM_1645568-1_A_c-1645568-1-a.2d_dxf.zip](#)

English

Customer View Model

[ENG_CVM_CVM_1645568-1_A_c-1645568-1-a.3d_igs.zip](#)

English

Customer View Model

[ENG_CVM_CVM_1645568-1_A_c-1645568-1-a.3d_stp.zip](#)

English

By downloading the CAD file I accept and agree to the [Terms and Conditions](#) of use.

Product Specifications



Application Specification

English

Instruction Sheets

Instruction Sheet (U.S.)

English