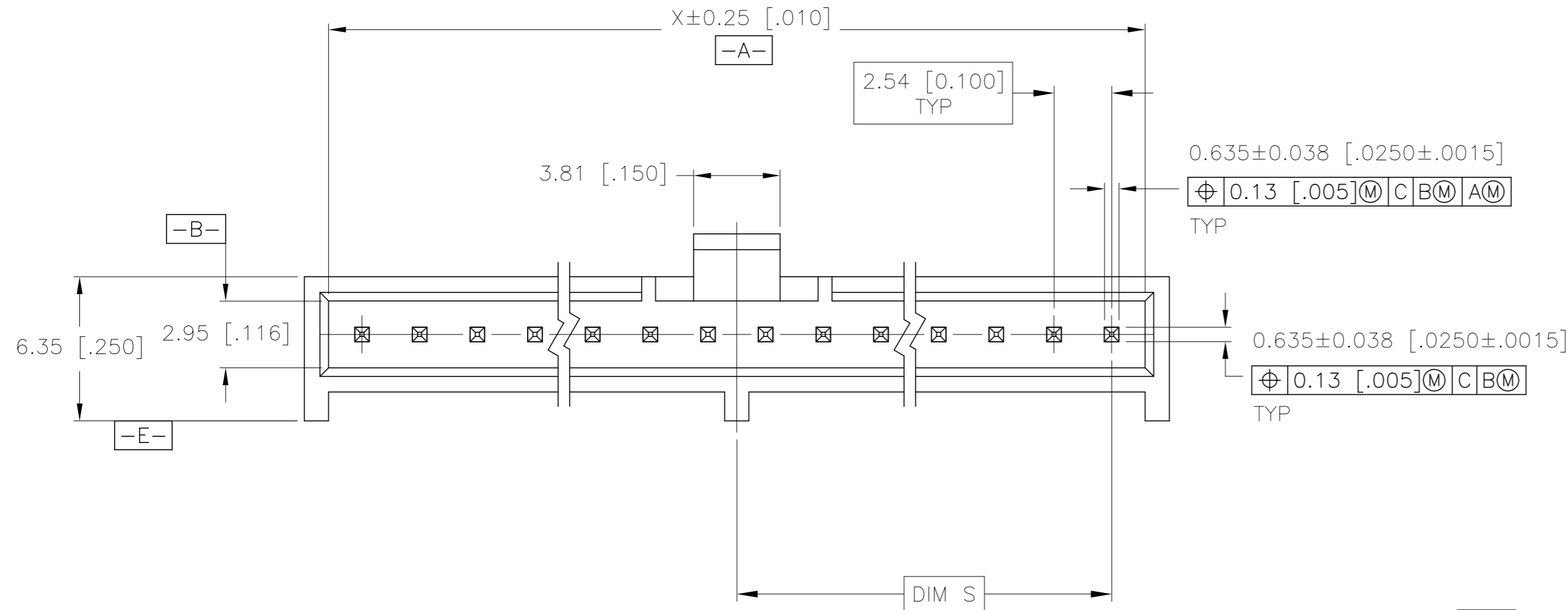
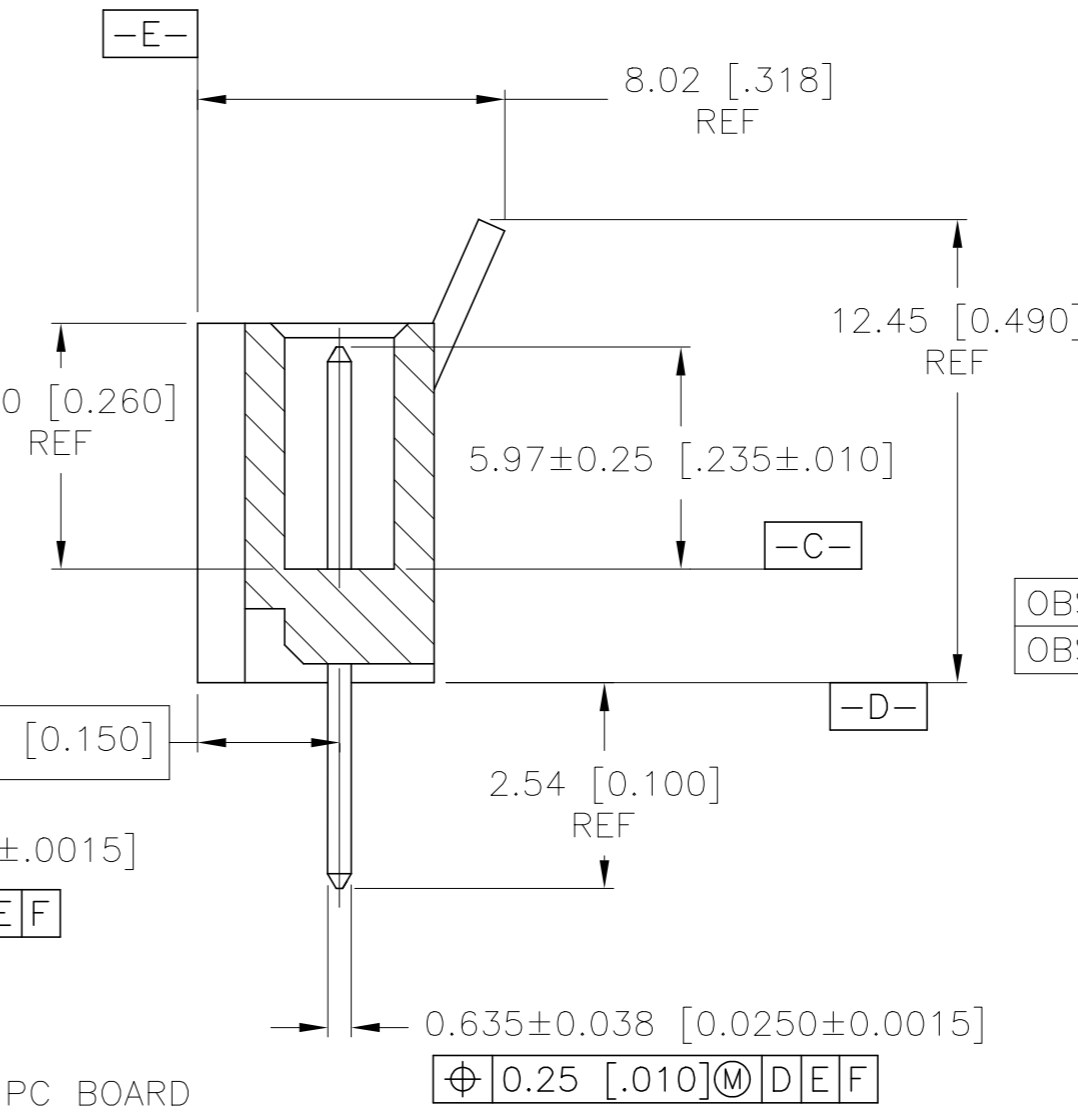
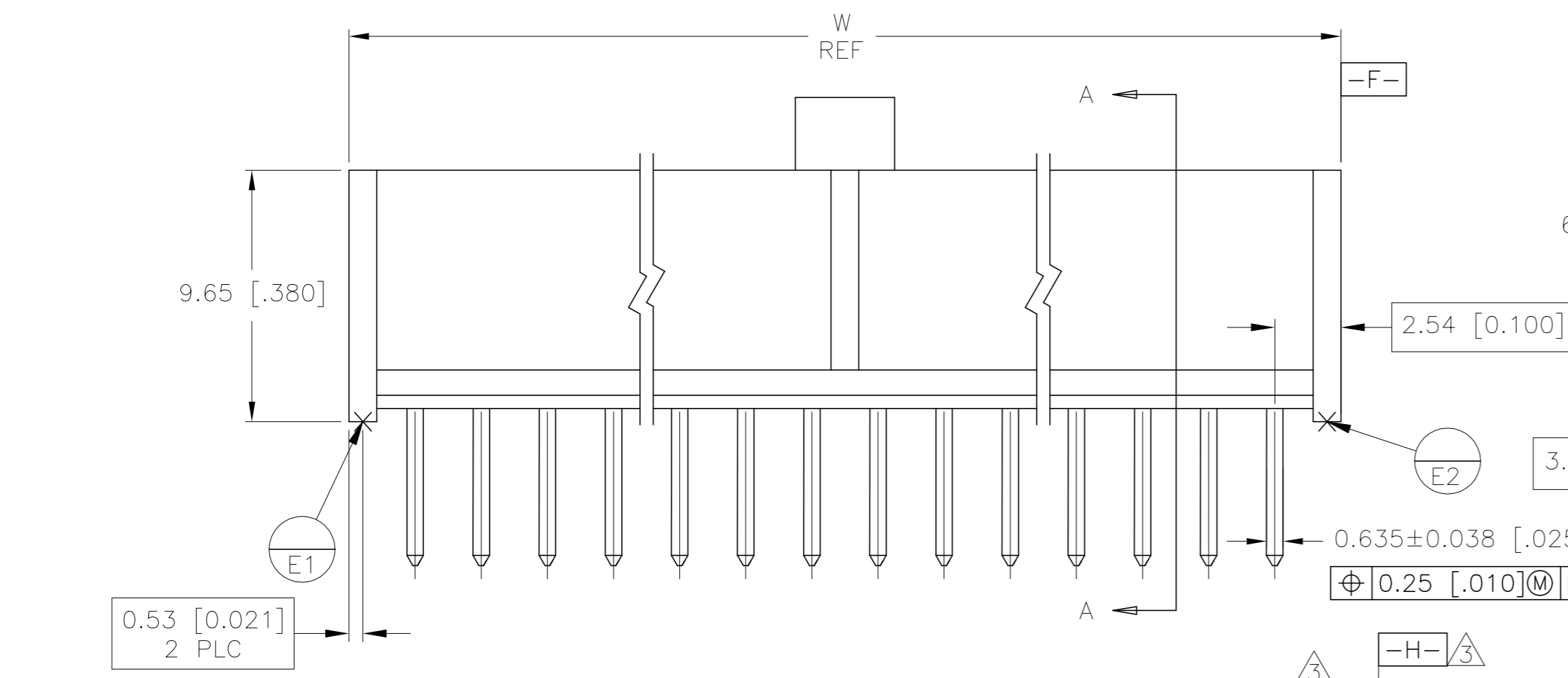


THIS DRAWING IS UNPUBLISHED. RELEASED FOR PUBLICATION --, 2019.
 © COPYRIGHT 2019 TE Connectivity Ltd. ALL RIGHTS RESERVED.

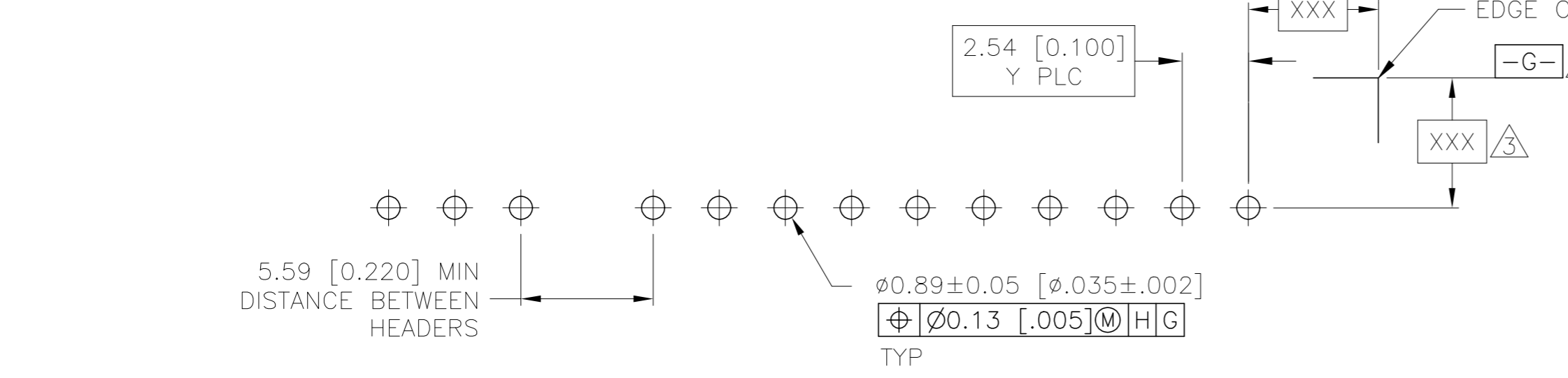
REVISIONS					
P	LTR	DESCRIPTION	DATE	DWN	APVD
	D1	REVISED PER ECO-19-011737	30JUL2019	JMS	CM



- 1 HOUSING: HI-TEMP NYLON, 94V-0 RATED, COLOR NATURAL. CONTACTS: PHOSPHOR BRONZE.
- 2 CONTACTS: TIN AND GOLD OVER NICKEL UNDERPLATE.
- 3 DATUMS AND BASIC DIMENSIONS TO BE ESTABLISHED BY CUSTOMER.
- 4 MINOR BLACK BLEMISHES, FROM THE ADDITION OF THE FLAME RETARDANT COMPOUND, ARE ACCEPTABLE.



OBSOLETE	FPH-0921G HI-TEMP	1642446-9
OBSOLETE	FPH-0721G HI-TEMP	1642446-7
	FPH-1021G HI-TEMP	1642446-1
	CUSTOMER NUMBER	PART NUMBER



OBSOLETE	8	23.26 [0.916]	25.40 [1.000]	10.16 [0.400]	9	1642446-9
OBSOLETE	6	18.18 [0.716]	20.32 [0.800]	7.62 [0.300]	7	1642446-7
	9	25.80 [1.016]	27.94 [1.100]	11.43 [0.450]	10	1642446-1
	Y	X	W	S	NO OF POS	PART NUMBER

THIS DRAWING IS A CONTROLLED DOCUMENT.

DIMENSIONS: mm	TOLERANCES UNLESS OTHERWISE SPECIFIED:	DWN K.PETERSON 13NOV2003	
	0 PLC ± -	CHK H.SMITH 13NOV2003	
	1 PLC ± -	APVD H.SMITH 13NOV2003	
	2 PLC ± 0.13[.005]	NAME	
MATERIAL	FINISH	APPLICATION SPEC	HEADER ASSY, FLEXPAC SYSTEM SINGLE ROW, HI-TEMP
		WEIGHT 0.000000	SIZE A2 CAGE CODE 00779 DRAWING NO C=1642446 RESTRICTED TO -
		CUSTOMER DRAWING	SCALE NTS SHEET 1 of 1 REV D1

RECOMMENDED PC BOARD LAYOUT

Mouser Electronics

Authorized Distributor

Click to View Pricing, Inventory, Delivery & Lifecycle Information:

[TE Connectivity:](#)

[1642446-1](#)