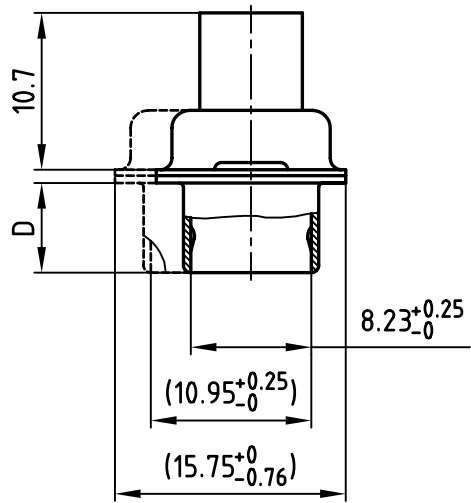
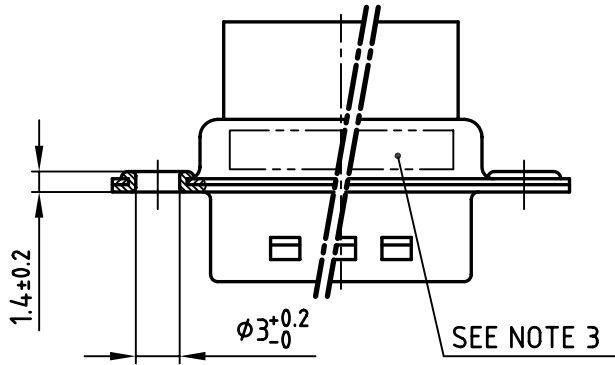
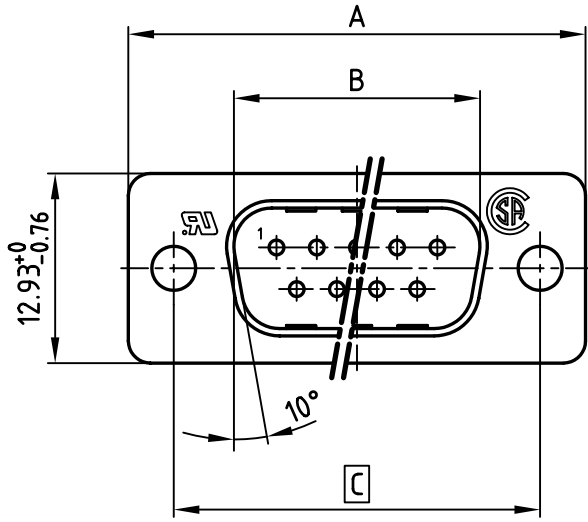


used for: D-SUB



**NOTES:**

1. METALSHELLS: STEEL; min. 320µ" TIN
2. INSULATORS: PBT GF UL 94 V-0, BLACK
3. CONNECTOR IS PART MARKED: PART-NO. CONEC Y/WW
4.  = CRITICAL DIMENSION: SPC

Dimensions in (---) = 50pos.

No. of Pos.	A -0.76	B +0.25	C	D -0.3	Part-NO.
9	31.19	16.79	25.00 <sup>+0.12</sup> / <sub>-0.13</sub>	6.12	163X10019X
15	39.52	25.12	33.30 <sup>+0.15</sup> / <sub>-0.1</sub>	6.12	163X10029X (163X10029X-G)
25	53.42	38.84	47.04 ±0.13	5.99	163X10039X
37	69.70	55.30	63.50 ±0.13	5.99	163X10049X
50	67.31	52.68	61.10 <sup>+0.14</sup> / <sub>-0.11</sub>	5.99	163X10059X



THIS DRAWING MAY NOT BE COPIED OR REPRODUCED IN ANY WAY, AND MAY NOT BE PASSED ON TO A THIRD PARTY WITHOUT WRITTEN PERMISSION.  
 OWNERSHIP AND COPYRIGHT OF CONEC GmbH  
 DO NOT ALTER CAD DRAWING BY HAND

tolerance			
2001	date	name	
drawn	11.04.	Parei	
appd.	11.04.	E. Mickenbecker	
norm	DIN 41652		
d-old	KAT1105A		
rev.	description	date	name

scale:	2:1		
material:	SEE NOTES		
title:	D-SUB Plug connector CRIMP STYLE 9 - 50 pos.		
dwg no:	AutoCAD 2000	DIN-A	
	16K1A178A	4	
		sh: 1/1	
part no:	SEE TABLE		