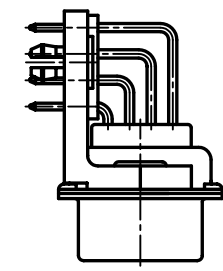
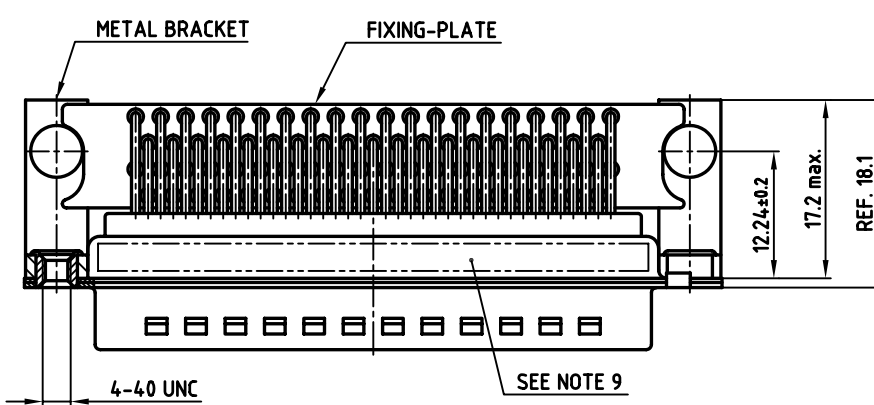
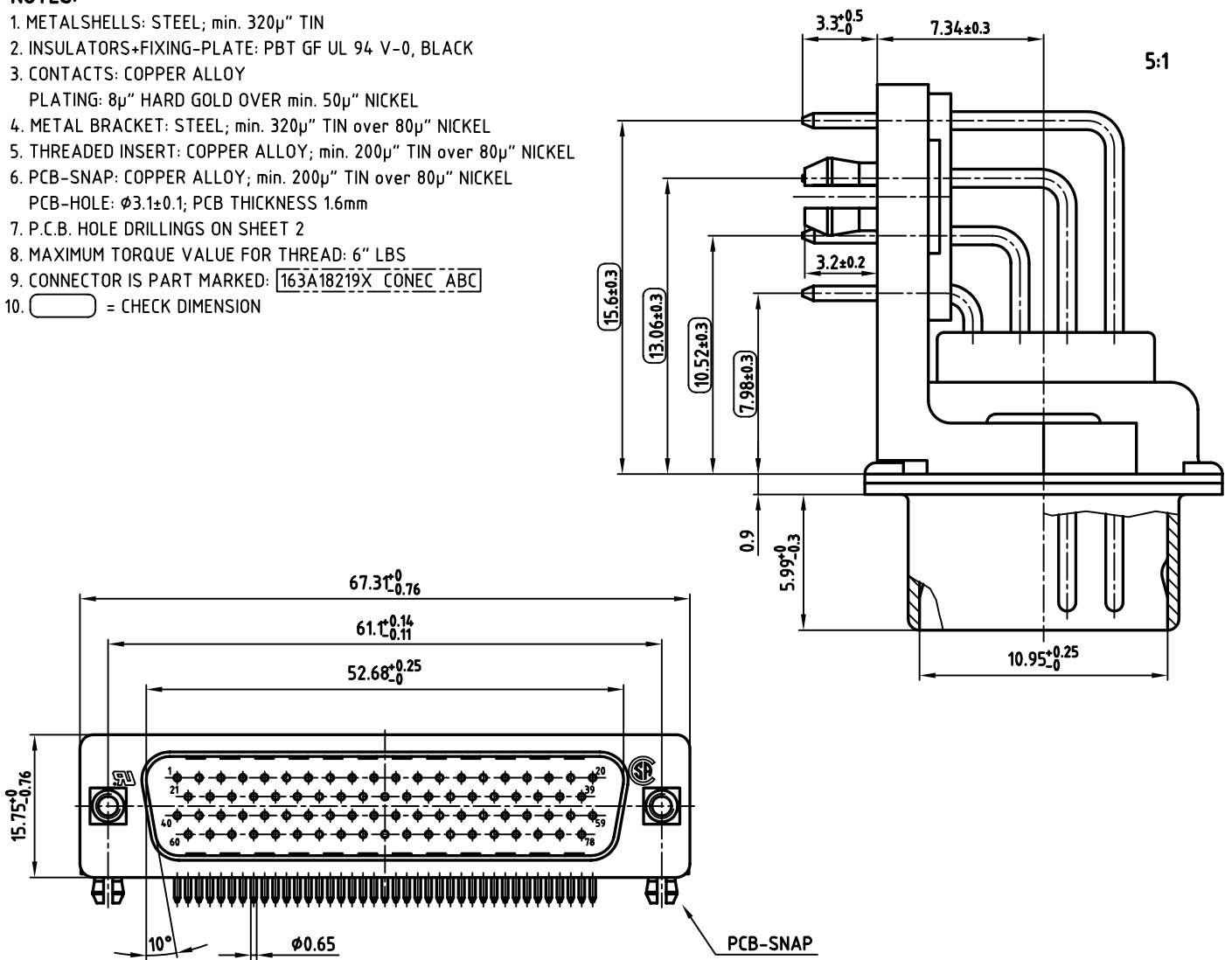


**NOTES:**

1. METALSHELLS: STEEL; min. 320µ" TIN
2. INSULATORS+FIXING-PLATE: PBT GF UL 94 V-0, BLACK
3. CONTACTS: COPPER ALLOY  
PLATING: 8µ" HARD GOLD OVER min. 50µ" NICKEL
4. METAL BRACKET: STEEL; min. 320µ" TIN over 80µ" NICKEL
5. THREADED INSERT: COPPER ALLOY; min. 200µ" TIN over 80µ" NICKEL
6. PCB-SNAP: COPPER ALLOY; min. 200µ" TIN over 80µ" NICKEL  
PCB-HOLE:  $\phi 3.1 \pm 0.1$ ; PCB THICKNESS 1.6mm
7. P.C.B. HOLE DRILLINGS ON SHEET 2
8. MAXIMUM TORQUE VALUE FOR THREAD: 6" LBS
9. CONNECTOR IS PART MARKED: 163A18219X CONEC ABC
10.    = CHECK DIMENSION

used for: D-SUB HD



Directive 2002/95/EC  
RoHS  
Compliant

APPROVAL * FREIGABE * DEBLOCAGE * AUTORIZACION * APPROVAL	
CUSTOMER APPROVAL DATE:	
NAME:	TITLE:
COMPANY NAME:	
APPROVAL * FREIGABE * DEBLOCAGE * AUTORIZACION * APPROVAL	

THIS DRAWING MAY NOT BE COPIED OR REPRODUCED IN ANY WAY, AND MAY NOT BE PASSED ON TO A THIRD PARTY, WITHOUT WRITTEN PERMISSION. OWNERSHIP AND COPYRIGHT OF CONEC Gmbh DO NOT ALTER CAD DRAWING BY HAND			
a	Origin	date	name

tolerance	dim. in mm	scale:	2:1 (5:1)
		material:	SEE NOTES
2006	date	name	<b>D-SUB HD MALE 90°</b> 78pos. 0.350inch threaded insert, metal bracket, fixing-plate, clip
drawn	14.02.	Lehmenkühler	
appd.	14.02.	Mickenbecker	
		norm	DIN 41652
		d-old	
		dwg no:	AutoCAD 2004
			DIN-A
			3
			sh:1/2
		part no:	163A18219X

6

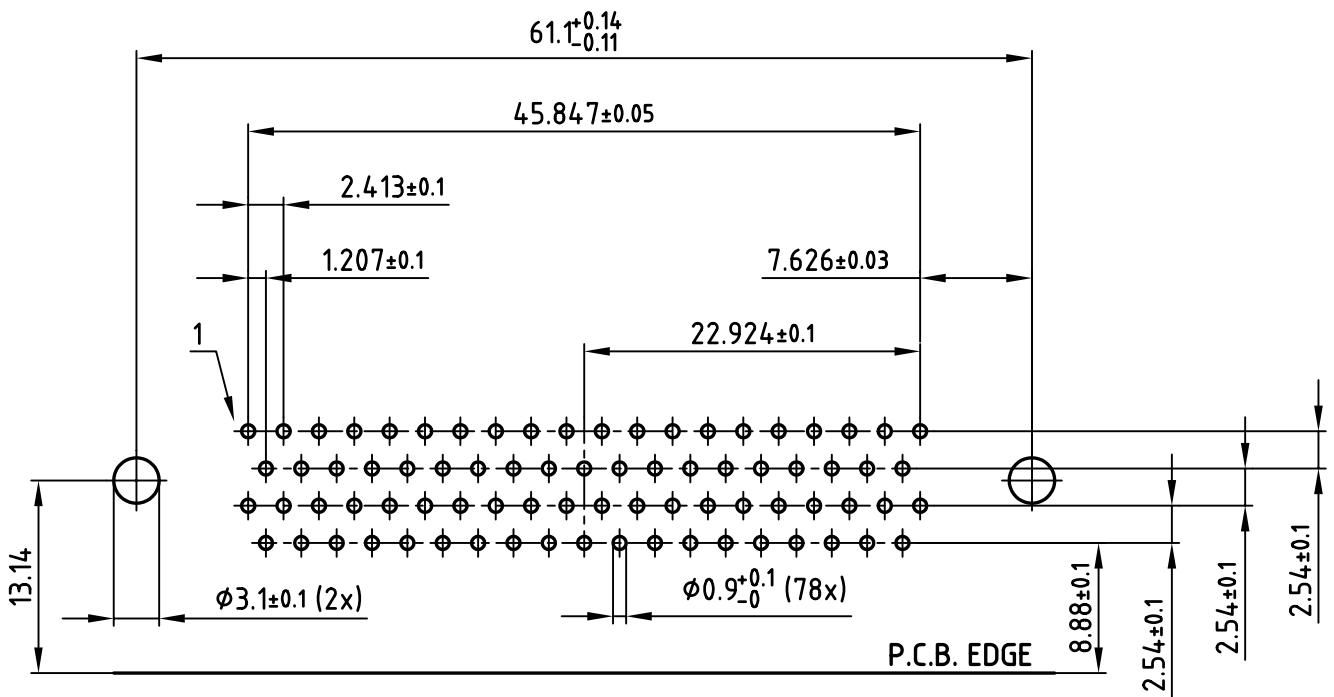
5

4

2

1

used for: D-SUB HD



APPROVAL # FREIGABE # DEBLOCAGE # AUTOR/ZACION # APPROVAL

CUSTOMER APPROVAL DATE:

NAME: TITLE:

COMPANY NAME:

APPROVAL # FREIGABE # DEBLOCAGE # AUTOR/ZACION # APPROVAL

THIS DRAWING MAY NOT BE COPIED OR REPRODUCED IN ANY WAY, AND MAY NOT BE PASSED ON TO A THIRD PARTY WITHOUT WRITTEN PERMISSION. OWNERSHIP AND COPYRIGHT OF CONEC GmbH DO NOT ALTER CAD DRAWING BY HAND

tolerance			
2006	date	name	
drawn	14.02.	Lehmenkühler	
appd.	14.02.	Mickenbecker	
norm	DIN 41652		
d-old			
a	Origin		
rev.	description	date	name



scale:	2:1
material:	SEE SHEET 1
title:	P.C.B. HOLE DRILLINGS D-SUB HD MALE 90° 78pos. 0.350inch threaded insert,metal bracket,fixing-plate,clip
dwg no:	AutoCAD 2004
	DIN-A 4
	sh:2/2
part no:	SEE SHEET 1