

Cable gland - KV-M-M50-GD-(10)

1636512

<https://www.phoenixcontact.com/pc/products/1636512>

Please be informed that the data shown in this PDF document is generated from our Online Catalog. Please find the complete data in the user documentation. Our General Terms of Use for Downloads are valid.



HEAVYCON M50 cable screw connection, metal, panel feed-through for data plug, with separable grommet, 1 x 10 mm hole diameter; inside diameter 37 mm

Commercial Data

Item number	1636512
Packing unit	5 pc
Minimum order quantity	1 pc
Product Key	BF7DAX
Catalog Page	Page 706 (C-2-2019)
GTIN	4046356028240
Weight per Piece (including packing)	212.11 g
Weight per Piece (excluding packing)	212.11 g
Customs tariff number	74122000
Country of origin	DE

Cable gland - KV-M-M50-GD-(10)

1636512

<https://www.phoenixcontact.com/pc/products/1636512>

Technical Data

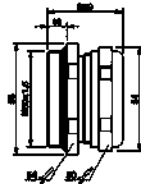
Product properties

Product type	Full screw connection
Application	for data connectors
No. of conductors	1
Manufacturer	Pflitsch
Manufacturer Designation	25056 dpmk 1/10
Shielded	no

Characteristics

Conductor sealing range	9.50 mm ... 10.00 mm
-------------------------	----------------------

Dimensions

Dimensional drawing	
Height	58 mm
Length	39 mm
Length of the connecting thread	10 mm
Wrench size, union nut	50 mm
Wrench size, support	54 mm
Hexagon angular dimension	58 mm
Thread type connection side	M50 x 1.5
Thread pitch	1.5 mm

Internal dimensions

Internal diameter	37 mm
-------------------	-------

Material specifications

Color	silver
Sealing material	NBR (O-ring) TPE
Material for screw connection	Nickel-plated brass

Cable / line

External cable diameter	9.5 mm ... 10 mm
Halogen-free	no

Environmental and real-life conditions

Ambient conditions

Cable gland - KV-M-M50-GD-(10)



1636512

<https://www.phoenixcontact.com/pc/products/1636512>

Degree of protection	IP65
Ambient temperature (operation)	-40 °C ... 125 °C

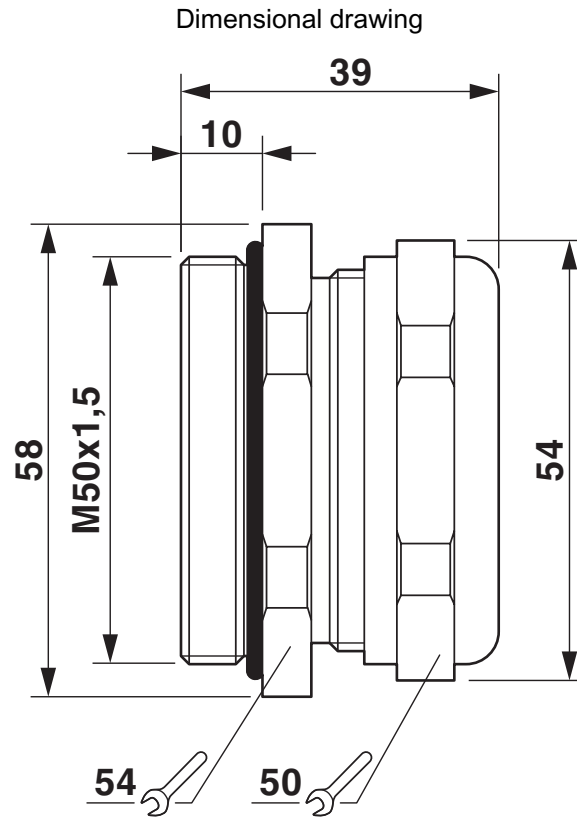
Cable gland - KV-M-M50-GD-(10)

1636512

<https://www.phoenixcontact.com/pc/products/1636512>



Drawings



Cable gland - KV-M-M50-GD-(10)



1636512

<https://www.phoenixcontact.com/pc/products/1636512>

Classifications

ECLASS

ECLASS-9.0	27144432
ECLASS-10.0.1	27144432
ECLASS-11.0	27144432

ETIM

ETIM 8.0	EC000441
----------	----------

UNSPSC

UNSPSC 21.0	39121300
-------------	----------

Cable gland - KV-M-M50-GD-(10)



1636512

<https://www.phoenixcontact.com/pc/products/1636512>

Environmental Product Compliance

REACH SVHC	Lead 7439-92-1
China RoHS	Environmentally Friendly Use Period = 50 years
	For information on hazardous substances, refer to the manufacturer's declaration available under "Downloads"

Phoenix Contact 2023 © - all rights reserved

<https://www.phoenixcontact.com>

PHOENIX CONTACT GmbH & Co. KG

Flachsmarktstraße 8

D-32825 Blomberg

+49 (0) 5235-3 00

info@phoenixcontact.com