

163092-1 ✓ ACTIVE

AMP | AMP Type III+

TE Internal #: 163092-1

Socket Contact, Tin, Size 16 Contact Size, 26 – 24 AWG Wire Size, .12 – .2 mm<sup>2</sup> Wire Size, Crimp, Brass, Power & Signal, AMP Type III+

[View on TE.com >](#)



Connectors > Contacts > Connector Contacts > Pin and Socket Contacts, Type III, LP EMEA



Contact Type: **Socket**

Contact Mating Area Plating Material: **Tin**

Wire Contact Termination Area Plating Material: **Tin**

Contact Retention Within Housing: **With**

Contact Size: **Size 16**

[All Pin and Socket Contacts, Type III, LP EMEA \(27\)](#)

## Features

### Product Type Features

Discrete Wire Type	Stranded
--------------------	----------

### Contact Features

Mating Pin Diameter	1.57 mm[.062 in]
Contact Underplating Material Thickness	1.27 µm[50 µin]
Wire Contact Termination Area Plating Thickness	2.03 µm[80 µin]
Wire Contact Termination Area Plating Material Finish	Bright
Contact Mating Area Plating Material Thickness	2.03 µm[80 µin]
Contact Mating Area Plating Material Finish	Bright
Contact Orientation	Straight
Contact Underplating Material	Nickel
Contact Type	Socket
Contact Mating Area Plating Material	Tin
Wire Contact Termination Area Plating Material	Tin



Contact Retention Within Housing	With
----------------------------------	------

Contact Size	Size 16
--------------	---------

Contact Base Material	Brass
-----------------------	-------

Contact Current Rating (Max)	13 A
------------------------------	------

### Termination Features

Termination Method to Wire & Cable	Crimp
------------------------------------	-------

Product Terminates To	Wire & Cable
-----------------------	--------------

### Mechanical Attachment

Wire Insulation Support	With
-------------------------	------

### Dimensions

Compatible Insulation Diameter Range	.89 – 1.4 mm [.035 – .055 in]
--------------------------------------	-------------------------------

Wire Size	.12 – .2 mm <sup>2</sup>
-----------	--------------------------

### Usage Conditions

Operating Temperature Range	-55 – 90 °C [-67 – 194 °F]
-----------------------------	----------------------------

### Operation/Application

Circuit Application	Power & Signal
---------------------	----------------

### Packaging Features

Packaging Quantity	200
--------------------	-----

Packaging Method	Bag, Loose Piece
------------------	------------------

### Product Compliance

[For compliance documentation, visit the product page on TE.com>](#)

EU RoHS Directive 2011/65/EU	Compliant
------------------------------	-----------

EU ELV Directive 2000/53/EC	Compliant
-----------------------------	-----------

China RoHS 2 Directive MIIT Order No 32, 2016	No Restricted Materials Above Threshold
---	---

EU REACH Regulation (EC) No. 1907/2006	Current ECHA Candidate List: JUNE 2024 (241) Candidate List Declared Against: JAN 2024 (240) Does not contain REACH SVHC
--	--

Halogen Content	Low Halogen - Br, Cl, F, I < 900 ppm per homogenous material. Also BFR/CFR/PVC Free
-----------------	---

Solder Process Capability	Not applicable for solder process capability
---------------------------	--

## Product Compliance Disclaimer

This information is provided based on reasonable inquiry of our suppliers and represents our current actual knowledge based on the information they provided. This information is subject to change. The part numbers that TE has identified as EU RoHS compliant have a maximum concentration of 0.1% by weight in homogenous materials for lead, hexavalent chromium, mercury, PBB, PBDE, DBP, BBP, DEHP, DIBP, and 0.01% for cadmium, or qualify for an exemption to these limits as defined in the Annexes of Directive 2011/65/EU (RoHS2). Finished electrical and electronic equipment products will be CE marked as required by Directive 2011/65/EU. Components may not be CE marked. Additionally, the part numbers that TE has identified as EU ELV compliant have a maximum concentration of 0.1% by weight in homogenous materials for lead, hexavalent chromium, and mercury, and 0.01% for cadmium, or qualify for an exemption to these limits as defined in the Annexes of Directive 2000/53/EC (ELV). Regarding the REACH Regulation, the information TE provides on SVHC in articles for this part number is based on the latest European Chemicals Agency (ECHA) 'Guidance on requirements for substances in articles' posted at this URL: <https://echa.europa.eu/guidance-documents/guidance-on-reach>

## Compatible Parts



TE Part # 91515-1  
CCII TYPE III+ MNL PIN SKT 30-20  
ASSY



TE Part # 58495-2  
PROCRIMPER DIE ASSY MULTIMATE



TE Part # 58495-1  
PRO CRIMPER ASSY MULTIMATE



TE Part # 539972-1  
EXTRACTION TOOL



TE Part # 305183  
EXTRACT TOOL TYPE 2 20-16



TE Part # 200893-2  
INSERTION TOOL CONT



TE Part # 2384426-2  
SDE F TYPE III+ 0.56-0.12mm2 DIE SET



TE Part # 2384426-1  
SDE F TYPE III+ 0.56-0.12mm2 ASSY



TE Part # 169400  
CERTI-LOK FRAME W/O DIES

Also in the Series | **AMP Type III+**



Connector Contacts(409)

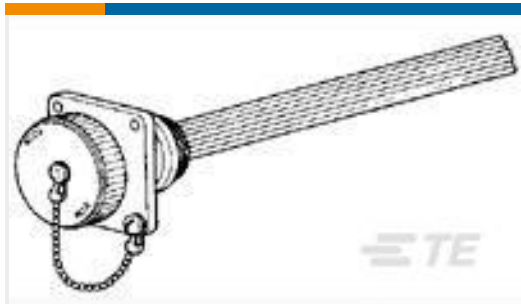


Insertion & Extraction Tools(4)

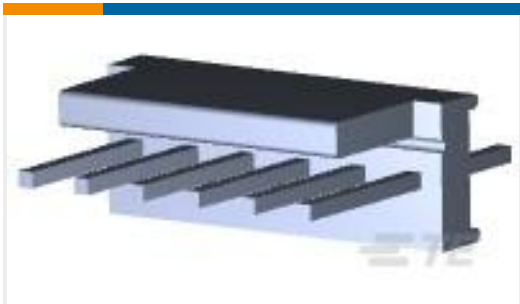
## Customers Also Bought



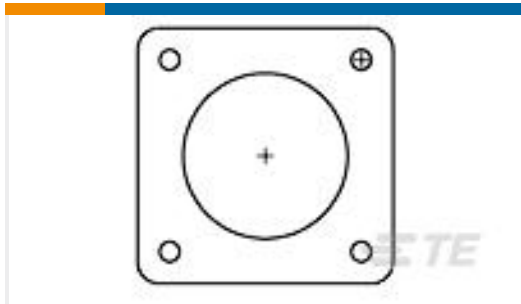
TE Part #934922-000  
RMW-75/22-1200/ADH-0



TE Part #208800-1  
SEALING CAP ASSY,SZ 11,CPC



TE Part #640454-6  
06P MTA100 HDR ASSY SQ STR POL



TE Part #81665-3  
ECONOSEAL, FLANGE GASKET



TE Part #1623460-1  
CRG1206 1% 220R



TE Part #1623403-1  
CRG1206 1% 100R



TE Part #1623197-1  
CRG0805 1% 33K



TE Part #1326018-1  
.64MM,32P UNSEALED PLUG ASSY,A



TE Part #1326018-2  
.64MM,32P UNSEALED PLUG ASSY,B

## Documents

### Product Drawings

062 SOC.ASS. TYP3+

English

062 SOC.ASS. TYP3+

English

### CAD Files

3D PDF

3D



### Customer View Model

[ENG\\_CVM\\_CVM\\_163092-1\\_Y.2d\\_dxf.zip](#)

English

### Customer View Model

[ENG\\_CVM\\_CVM\\_163092-1\\_Y.3d\\_igs.zip](#)

English

### Customer View Model

[ENG\\_CVM\\_CVM\\_163092-1\\_Y.3d\\_stp.zip](#)

English

By downloading the CAD file I accept and agree to the [Terms and Conditions](#) of use.

## Product Specifications

[Product Specification](#)

English