

AC charging cable - EV-TAG3PK-1AC32A-4,0M6,0EHBK01



1628021

<https://www.phoenixcontact.com/pc/products/1628021>

Please be informed that the data shown in this PDF document is generated from our Online Catalog. Please find the complete data in the user documentation. Our General Terms of Use for Downloads are valid.



CHARX connect comfort, Mobile AC charging cable, with vehicle charging connector and infrastructure charging plug, for charging electric vehicles (EV) with alternating current (AC) via type 1 vehicle charging inlets, with protective cap, with locking option for padlock, Type 1, Type 2, IEC 62196-2, SAE J1772, C-Line, housing: black, gray, PHOENIX CONTACT logo, cable: 4 m, black, spiraled

Product Description

Mobile AC charging cable with vehicle charging connector and infrastructure charging plug for charging electric vehicles (EV) with alternating current (AC) via type 1 vehicle charging inlets, compatible with type 2 infrastructure charging sockets at charging stations for e-mobility (EVSE)

Your advantages

- Complete product range
- Convenient handling due to the ergonomic, triple award-winning design
- Available with your logo on request – for consistent branding of your charging station
- Longitudinal water tightness reliably prevents water ingress
- Developed and produced in accordance with the IATF 16949 automotive standard and ISO 9001
- Tested in accordance with automotive standards LV124, LV214, and LV215-2
- Tested in accordance with EV Ready 37 requirements
- Laser-marked mating face in accordance with DIN EN 17186

Commercial Data

Item number	1628021
Packing unit	1 pc
Minimum order quantity	1 pc
Product Key	XWBAEE
Catalog Page	Page 32 (C-7-2019)
GTIN	4055626377339
Weight per Piece (including packing)	3,027 g
Weight per Piece (excluding packing)	2,962 g
Customs tariff number	85444290
Country of origin	PL

AC charging cable - EV-TAG3PK-1AC32A-4,0M6,0EHBK01



1628021

<https://www.phoenixcontact.com/pc/products/1628021>

Technical Data

Product properties

Product type	AC charging cable
Application	for charging electric vehicles (EV) with alternating current (AC) via type 1 vehicle charging inlets compatible with type 2 infrastructure charging sockets at charging stations for electromobility (EVSE)
Type	Mobile AC charging cable with vehicle charging connector and infrastructure charging plug
Design	with protective cap with locking option for padlock
Locking type	Locking option for actuating lever with 4 mm U-lock
Affixed logo	PHOENIX CONTACT logo
Charging mode	Mode 3, Case B
Charging standard	Type 1 Type 2

Electrical properties

Type of signal transmission	Pulse width modulation
Note on the connection method	Crimp connection, cannot be disconnected
Coding	480 Ω (Lever actuated) 150 Ω (Lever not actuated)
Type of charging current	AC single-phase
Charging power	8 kW
Charging current	32 A

Power contact

Number	3 (L1, N, PE)
Rated voltage	250 V AC
Rated current	32 A

Signal contact

Number	2 (CP, CS)
Rated voltage	30 V AC
Rated current	2 A

Dimensions

Width	58 mm
Height	131.8 mm
Depth	233.4 mm

Vehicle charging connector

Width	58 mm
Height	151.1 mm

AC charging cable - EV-TAG3PK-1AC32A-4,0M6,0EHBK01



1628021

<https://www.phoenixcontact.com/pc/products/1628021>

Depth	236.1 mm
-------	----------

Vehicle charging connector

Width	58 mm
Height	151.1 mm
Depth	236.1 mm

Infrastructure charging plug

Width	58 mm
Height	131.8 mm
Depth	233.4 mm

Material specifications

Color (Housing)	black (9005)
Color (Handle area)	black (9005)
Color (Actuating element)	silver gray (7001)
Color (Mating face)	black (9005)
Color (Protective cap)	black (9005)
Color (Cable)	black (9005)
Material (Vehicle charging connector)	Plastic
Material (Infrastructure charging plug)	Plastic
Material (Cable outer sheath)	TPE-U
Material (Contact surface)	Silver

Cable / line

Cable length	4 m
Wiring standards/regulations	prEN 50620 / DIN EN 50620
Wiring certifications	VDE
Cable type	Class 5
Cable type	spiraled
Cable structure	3 x 6.0 mm ² + 1 x 0.5 mm ²
External cable diameter	12.8 mm ±0.4 mm
Outer sheath, material	TPE-U
Block length	0.63 m ±10 %
Coil diameter	60 mm ±10 %
Effective length	max. 4 m ±5 %
Cable resistance	≤ 0.0033 Ω/m (based on a power core, at an ambient temperature of 20°C)

Mechanical properties

Bending radius	min. 76.8 mm (6x diameter)
----------------	----------------------------

Mechanical data

Insertion/withdrawal cycles	> 10000
Insertion force	< 75 N
Withdrawal force	< 75 N

AC charging cable - EV-TAG3PK-1AC32A-4,0M6,0EHBK01



1628021

<https://www.phoenixcontact.com/pc/products/1628021>

Environmental and real-life conditions

Ambient conditions

Degree of protection Vehicle charging inlet	IP44 (plugged in; when plugged in and ready to operate, the degree of protection is only ensued if both plug-in components are original products from Phoenix Contact or suitable standard-compliant products)
Degree of protection Infrastructure charging plug	IP44 (plugged in; when plugged in and ready to operate, the degree of protection is only ensued if both plug-in components are original products from Phoenix Contact or suitable standard-compliant products)
Degree of protection Protective cap	IP54
Ambient temperature (operation)	-30 °C ... 50 °C
Ambient temperature (storage/transport)	-40 °C ... 80 °C
Altitude	5000 m (above sea level)

Standards and regulations

Standards

Standards/regulations	IEC 62196-2
	SAE J1772

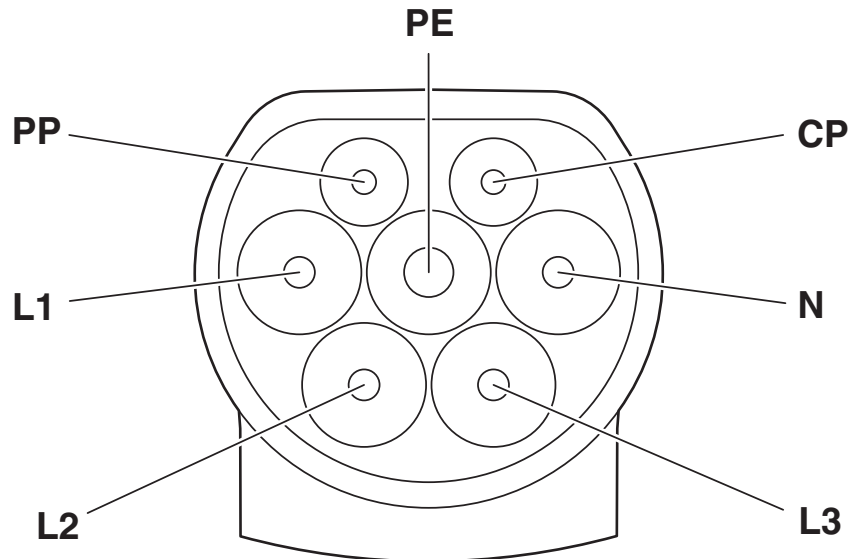
AC charging cable - EV-TAG3PK-1AC32A-4,0M6,0EHBK01

1628021

<https://www.phoenixcontact.com/pc/products/1628021>

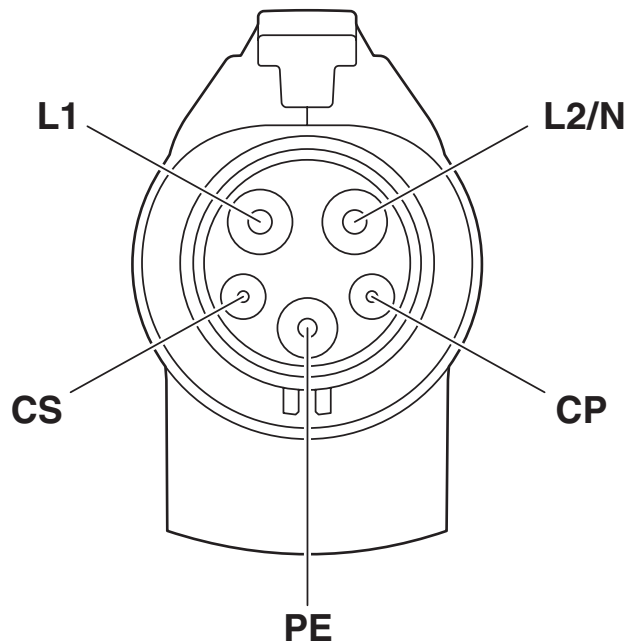
Drawings

Connection diagram



Pin assignment of Infrastructure Plug

Connection diagram



Pin assignment of the Vehicle Connector

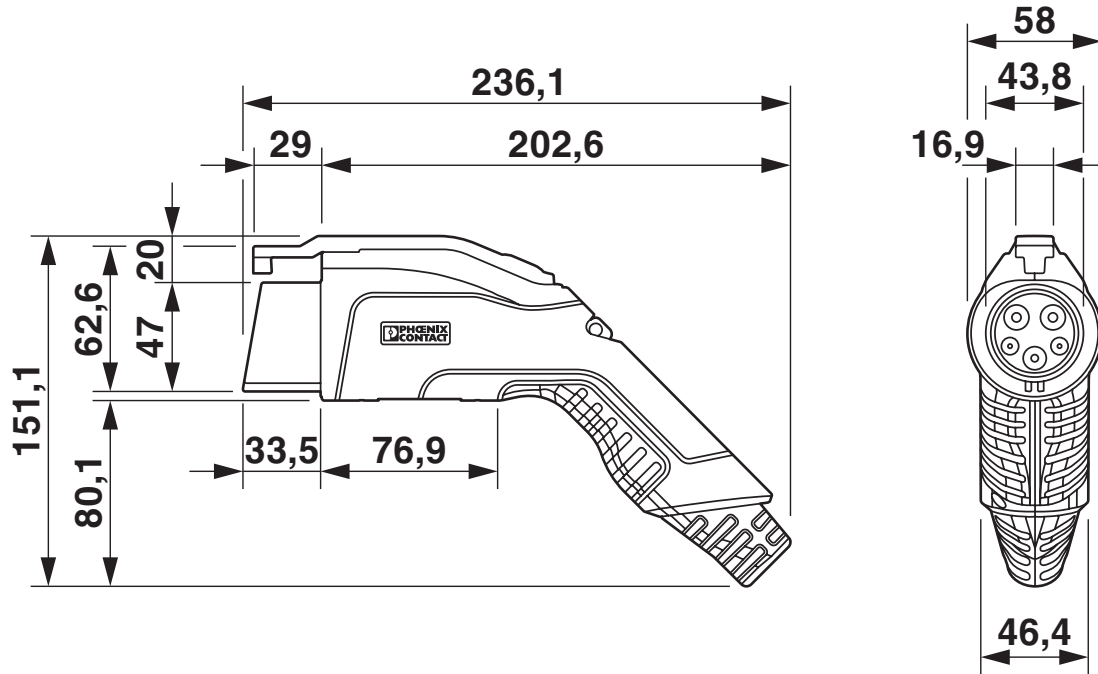
AC charging cable - EV-TAG3PK-1AC32A-4,0M6,0EHBK01



1628021

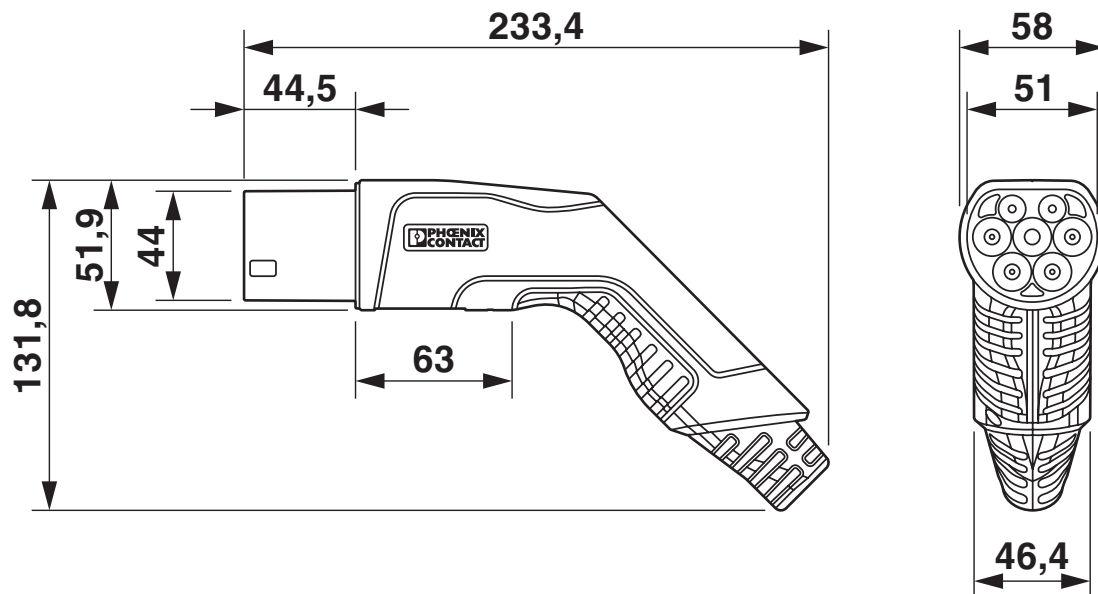
<https://www.phoenixcontact.com/pc/products/1628021>

Dimensional drawing



Vehicle connector

Dimensional drawing



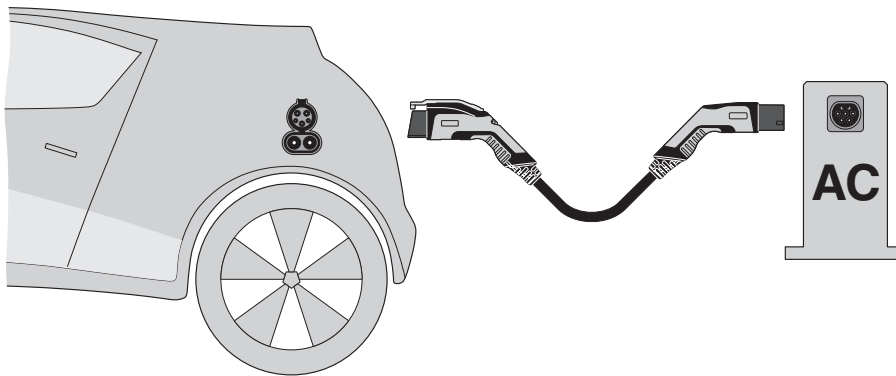
Infrastructure plug

AC charging cable - EV-TAG3PK-1AC32A-4,0M6,0EHBK01

1628021

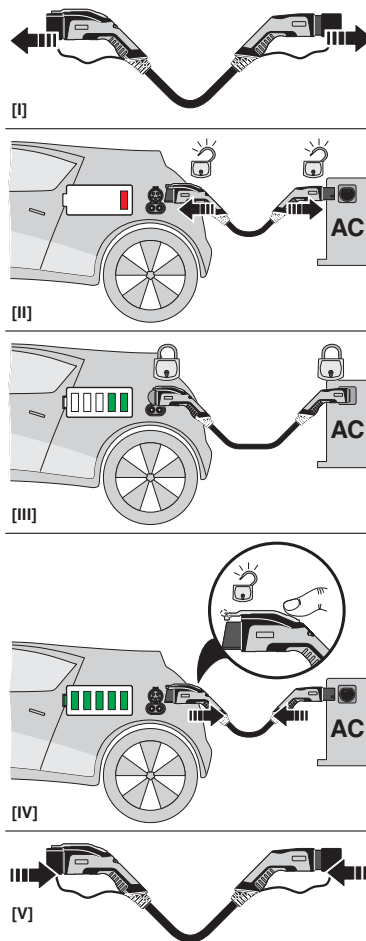
<https://www.phoenixcontact.com/pc/products/1628021>

Schematic diagram



Terminology definition

Schematic diagram



Operating instructions

AC charging cable - EV-TAG3PK-1AC32A-4,0M6,0EHBK01



1628021

<https://www.phoenixcontact.com/pc/products/1628021>

Approvals

 IECEE CB Scheme Approval ID: DE1-65897	Nominal Voltage U_N	Nominal Current I_N	Cross Section AWG	Cross Section mm^2
	250 V	32 A	-	-

 VDE Zeichengenehmigung Approval ID: 40045426	Nominal Voltage U_N	Nominal Current I_N	Cross Section AWG	Cross Section mm^2
	250 V	32 A	-	-

AC charging cable - EV-TAG3PK-1AC32A-4,0M6,0EHBK01



1628021

<https://www.phoenixcontact.com/pc/products/1628021>

Classifications

ECLASS

ECLASS-9.0	27144705
ECLASS-10.0.1	27144705
ECLASS-11.0	27144705

ETIM

ETIM 8.0	EC002897
----------	----------

UNSPSC

UNSPSC 21.0	39121500
-------------	----------

AC charging cable - EV-TAG3PK-1AC32A-4,0M6,0EHBK01



1628021

<https://www.phoenixcontact.com/pc/products/1628021>

Environmental Product Compliance

REACH SVHC	Lead 7439-92-1
China RoHS	Environmentally Friendly Use Period = 10;
	For information on hazardous substances, refer to the manufacturer's declaration available under "Downloads"

AC charging cable - EV-TAG3PK-1AC32A-4,0M6,0EHBK01

1628021

<https://www.phoenixcontact.com/pc/products/1628021>

Accessories

Charging connector holder

Charging connector holder - EV-T1AC-PARK - 1624139

<https://www.phoenixcontact.com/pc/products/1624139>



CHARX connect accessories, Charging connector holder, Accessories, for vehicle charging connectors on charging stations (EVSE), Type 1, SAE J1772, Front mounting, D-Line, C-Line, housing: black

Infrastructure charging socket set

Infrastructure charging socket set - EV-T2M3SO12-3P-P-SET - 1164422

<https://www.phoenixcontact.com/pc/products/1164422>



CHARX connect modular, Infrastructure charging socket set, for charging electric vehicles (EV) with alternating current (AC), with temperature sensors, with LED status indicator within the protective cover, with rear protective cap for strain relief and touch protection, Type 2, IEC 62196-2, 32 A / 480 V (AC), without single-core wires, length: 0.5 m, locking actuator: 12 V, 3-pos., Rear panel mounting, M5 thread, P-Line, housing: black, PHOENIX CONTACT logo

AC charging cable - EV-TAG3PK-1AC32A-4,0M6,0EHBK01

1628021

<https://www.phoenixcontact.com/pc/products/1628021>

Infrastructure charging socket set

Infrastructure charging socket set - EV-T2M3SO12-4P-P-SET - 1164423

<https://www.phoenixcontact.com/pc/products/1164423>



CHARX connect modular, Infrastructure charging socket set, for charging electric vehicles (EV) with alternating current (AC), with temperature sensors, with LED status indicator within the protective cover, with rear protective cap for strain relief and touch protection, Type 2, IEC 62196-2, 32 A / 480 V (AC), without single-core wires, length: 0.5 m, locking actuator: 12 V, 4-pos., Rear panel mounting, M5 thread, P-Line, housing: black, PHOENIX CONTACT logo

Infrastructure charging socket set

Infrastructure charging socket set - EV-T2M3SO12-3P-BL-SET - 1268358

<https://www.phoenixcontact.com/pc/products/1268358>



CHARX connect modular, Infrastructure charging socket set, for charging electric vehicles (EV) with alternating current (AC), with LED status indicator within the protective cover, with rear protective cap for strain relief and touch protection, Type 2, IEC 62196-2, 32 A / 480 V (AC), without single-core wires, length: 0.5 m, locking actuator: 12 V, 3-pos., Rear panel mounting, M5 thread, B-Line, housing: black, PHOENIX CONTACT logo

AC charging cable - EV-TAG3PK-1AC32A-4,0M6,0EHBK01

1628021

<https://www.phoenixcontact.com/pc/products/1628021>

Infrastructure charging socket set

Infrastructure charging socket set - EV-T2M3SO12-4P-BL-SET - 1268355

<https://www.phoenixcontact.com/pc/products/1268355>



CHARX connect modular, Infrastructure charging socket set, for charging electric vehicles (EV) with alternating current (AC), with LED status indicator within the protective cover, with rear protective cap for strain relief and touch protection, Type 2, IEC 62196-2, 32 A / 480 V (AC), without single-core wires, length: 0.5 m, locking actuator: 12 V, 4-pos., Rear panel mounting, M5 thread, B-Line, housing: black, PHOENIX CONTACT logo

Infrastructure charging socket set

Infrastructure charging socket set - EV-T2M3SO12-3P-B-SET - 1164420

<https://www.phoenixcontact.com/pc/products/1164420>



CHARX connect modular, Infrastructure charging socket set, for charging electric vehicles (EV) with alternating current (AC), with rear protective cap for strain relief and touch protection, Type 2, IEC 62196-2, 32 A / 480 V (AC), without single-core wires, length: 0.5 m, locking actuator: 12 V, 3-pos., Rear panel mounting, M5 thread, B-Line, housing: black, PHOENIX CONTACT logo

AC charging cable - EV-TAG3PK-1AC32A-4,0M6,0EHBK01

1628021

<https://www.phoenixcontact.com/pc/products/1628021>

Infrastructure charging socket set

Infrastructure charging socket set - EV-T2M3SO12-4P-B-SET - 1164417

<https://www.phoenixcontact.com/pc/products/1164417>

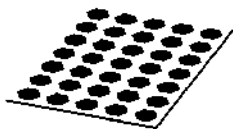


CHARX connect modular, Infrastructure charging socket set, for charging electric vehicles (EV) with alternating current (AC), with rear protective cap for strain relief and touch protection, Type 2, IEC 62196-2, 32 A / 480 V (AC), without single-core wires, length: 0.5 m, locking actuator: 12 V, 4-pos., Rear panel mounting, M5 thread, B-Line, housing: black, PHOENIX CONTACT logo

Label

Label - EV-LABEL-B - 1309758

<https://www.phoenixcontact.com/pc/products/1309758>



CHARX connect accessories, Label, Accessories, for AC charging cable, DIN EN 17186, C-Line, PHOENIX CONTACT logo, Marking B for AC type 1 vehicle charging connectors with metric charging cable and type 1 vehicle charging inlets

AC charging cable - EV-TAG3PK-1AC32A-4,0M6,0EHBK01



1628021

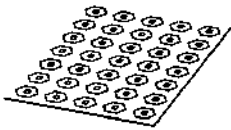
<https://www.phoenixcontact.com/pc/products/1628021>

Label

Label - EV-LABEL-C-SO - 1315521

<https://www.phoenixcontact.com/pc/products/1315521>

CHARX connect modular, Label, Accessories, for AC charging cables and infrastructure charging sockets, DIN EN 17186, B-Line, P-Line, Marking C for AC type 2 infrastructure charging plugs and type 2 infrastructure charging sockets



Phoenix Contact 2023 © - all rights reserved

<https://www.phoenixcontact.com>

PHOENIX CONTACT GmbH & Co. KG

Flachsmarktstraße 8

D-32825 Blomberg

+49 (0) 5235-3 00

info@phoenixcontact.com