

Crimp contact - RC-15P2020



1623777

<https://www.phoenixcontact.com/in/products/1623777>

Please be informed that the data shown in this PDF document is generated from our Online Catalog. Please find the complete data in the user documentation. Our General Terms of Use for Downloads are valid.



Crimp contact, turned, contact diameter: 1 mm, crimp range: 0.14 mm² ... 0.56 mm²

Your advantages

- Crimping connection: vibration- and temperature-resistant assembly
- High tensile strength of the connection
- Low contact resistance
- Easy production monitoring

Crimp contact - RC-15P2020



1623777

<https://www.phoenixcontact.com/in/products/1623777>

Commercial Data

Item number	1623777
Packing unit	100 pc
Minimum order quantity	100 pc
Sales Key	ABR
Product Key	ABREBC
Catalog Page	Page 105 (C-2-2019)
GTIN	4055626190266
Weight per Piece (including packing)	0.356 g
Weight per Piece (excluding packing)	0.334 g
Customs tariff number	85366990
Country of origin	DE

Crimp contact - RC-15P2020



1623777

<https://www.phoenixcontact.com/in/products/1623777>

Technical Data

Product properties

Product type	Crimp contact
Contact type	turned
Series	RC

Electrical properties

Contact

Contact diameter	1 mm
Min. cross section	0.14 mm ²
Max. cross section	0.56 mm ²

Dimensions

Mechanical characteristics

Contact diameter	1 mm
------------------	------

Crimp contact - RC-15P2020

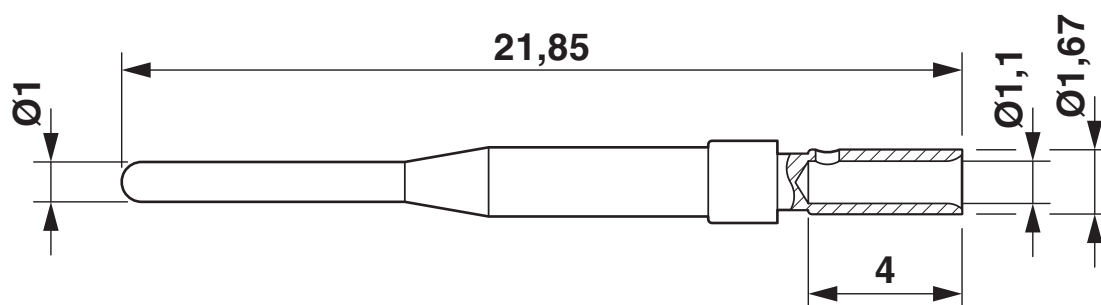
1623777

<https://www.phoenixcontact.com/in/products/1623777>



Drawings

Dimensional drawing



Crimp contact - RC-15P2020



1623777

<https://www.phoenixcontact.com/in/products/1623777>

Classifications

ECLASS

ECLASS-9.0	27440204
ECLASS-10.0.1	27440204
ECLASS-11.0	27440204

ETIM

ETIM 8.0	EC000796
----------	----------

UNSPSC

UNSPSC 21.0	39121500
-------------	----------

Crimp contact - RC-15P2020

1623777

<https://www.phoenixcontact.com/in/products/1623777>



Environmental Product Compliance

REACH SVHC	Lead 7439-92-1
China RoHS	Environmentally Friendly Use Period = 50 years
	For information on hazardous substances, refer to the manufacturer's declaration available under "Downloads"

Crimp contact - RC-15P2020

1623777

<https://www.phoenixcontact.com/in/products/1623777>



Accessories

Contact insertion and removal tool

Contact insertion and removal tool - RC-Z2097 - 1604251

<https://www.phoenixcontact.com/in/products/1604251>



Positioning and contact removal tool for RC crimp contacts for pin / socket, diameter 1 mm

Contact insertion and removal tool

Contact insertion and removal tool - RC-Z2494 - 1614123

<https://www.phoenixcontact.com/in/products/1614123>



Positioning and removal tool for RC crimp contacts, pin/socket diameter: 1 mm

Crimp contact - RC-15P2020

1623777

<https://www.phoenixcontact.com/in/products/1623777>



Crimp locator

Crimp locator - RC-Z2540 - 1624504

<https://www.phoenixcontact.com/in/products/1624504>



Locator for RC-Z2514 and RC-Z2504 crimping pliers, for crimping turned RC contacts, diameter of 1.0 mm and 1.5 mm

Crimping pliers

Crimping pliers - RC-Z2504 - 1613822

<https://www.phoenixcontact.com/in/products/1613822>



Crimping pliers for turned RC crimp contacts, diameter 1 mm / diameter 1.5 mm / diameter 2 mm for a litz wire cross section of 0.14 mm² ... 2.5 mm²

Crimp contact - RC-15P2020

1623777

<https://www.phoenixcontact.com/in/products/1623777>



Crimping pliers with digital display

Crimping pliers with digital display - RC-Z2514 - 1614590

<https://www.phoenixcontact.com/in/products/1614590>



Crimping pliers for turned RC crimp contacts \varnothing 1 mm / \varnothing 1.5 mm / \varnothing 2 mm, litz wire cross section of 0.08 mm² ... 2.5 mm²

Phoenix Contact 2022 © - all rights reserved

<https://www.phoenixcontact.com>

PHOENIX CONTACT (I) Pvt. Ltd.

A-58/2, Okhla Industrial Area, Phase - II, New Delhi-110 020

+91.1275.71420

info@phoenixcontact.co.in