

Device connector, front mounting - CA-09P1N8AAD00



1621735

<https://www.phoenixcontact.com/pc/products/1621735>

Please be informed that the data shown in this PDF document is generated from our Online Catalog. Please find the complete data in the user documentation. Our General Terms of Use for Downloads are valid.



Device connector, front mounting, RC, angled rotatable, shielded: yes, for standard and SPEEDCON interlock, M23, No. of pos.: 8+1, Direction of rotation: Standard, type of contact: Pin, Crimp connection, Axial O-ring, 4x Ø 3.2, coding:N

Your advantages

- Easy connection, thanks to infinitely adjustable cable outlet direction up to 310°
- Safe use in the field, thanks to high degree of protection
- Connector for flexible on-site assembly
- Consistent EMC protection for reliable transmission of signals
- Crimping connection: vibration- and temperature-resistant assembly

Device connector, front mounting - CA-09P1N8AAD00



1621735

<https://www.phoenixcontact.com/pc/products/1621735>

Commercial Data

Item number	1621735
Packing unit	1 pc
Minimum order quantity	1 pc
Note	Made to Order (non-returnable)
Product Key	ABRBFK
Catalog Page	Page 104 (C-2-2019)
GTIN	4046356963688
Weight per Piece (including packing)	122.2 g
Weight per Piece (excluding packing)	122 g
Customs tariff number	85366990
Country of origin	DE

1621735

<https://www.phoenixcontact.com/pc/products/1621735>

Technical Data

Notes

Order information:	Order crimp contacts 8 x Ø 1 mm, 1 x Ø 2 mm separately
--------------------	--

Product properties

Product type	Circular connectors (device side)
--------------	-----------------------------------

Connector

Insulating body

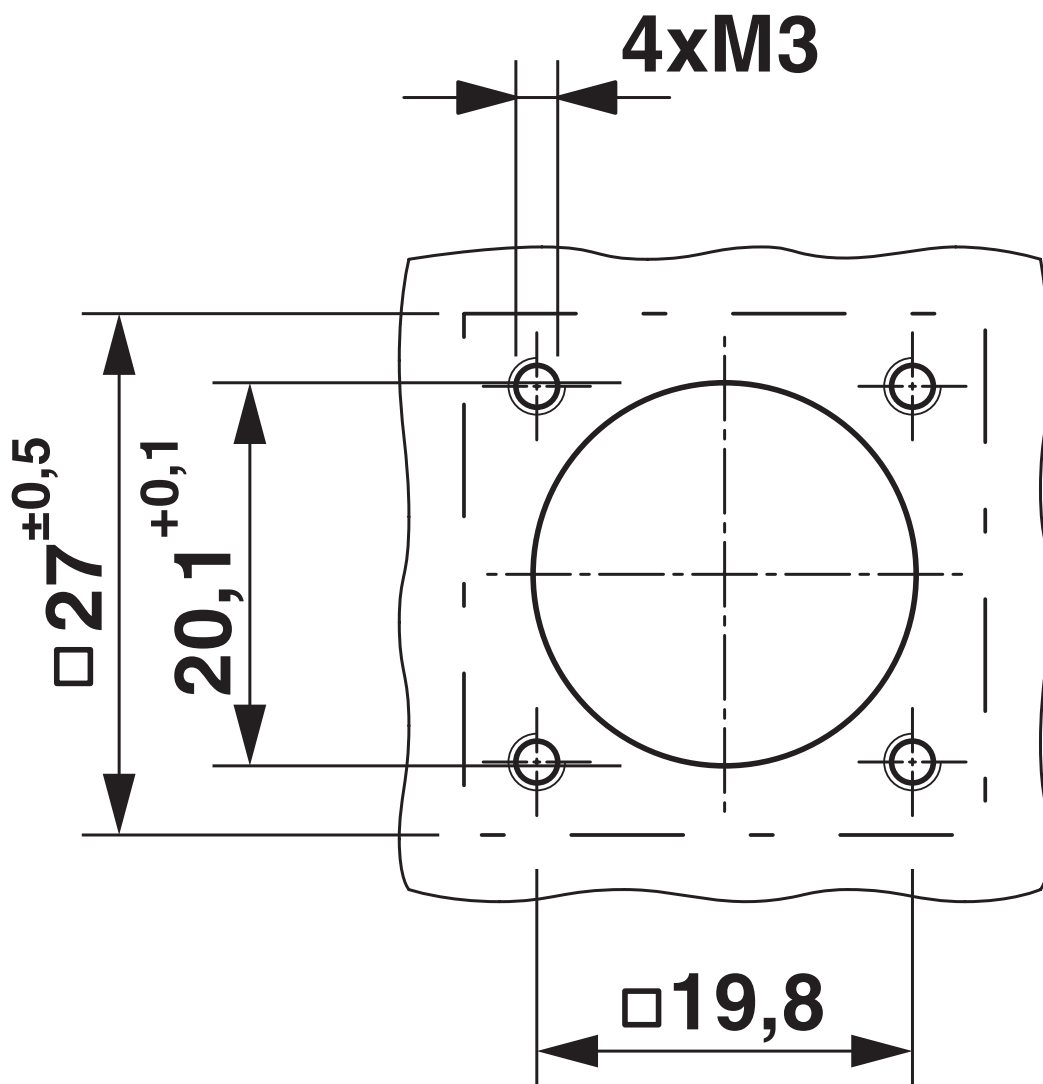
Note	Order information: Order crimp contacts 8 x Ø 1 mm, 1 x Ø 2 mm separately
Coding	N
Insulation body material	PA 6.6
Connection method	Crimp connection
Contact type	Pin
Application	Signal
Number of positions	9
Direction of rotation	Standard
Connection profile	8+1
Contact diameter	2 mm
Min. cross section	1 mm ² 1 mm ²
Max. cross section	2.5 mm ² 2.5 mm ²
Rated surge voltage	1.5 kV 1.5 kV
Overvoltage category	III III
Degree of pollution	3 3

Housing

Type of locking	for standard and SPEEDCON interlock
Thread type	M23
Degree of protection	IP67
Housing material	Turned parts: copper zinc alloy (CuZn), die-cast parts: zinc (GD-Zn)

Drawings

Dimensional drawing



Installation dimensions

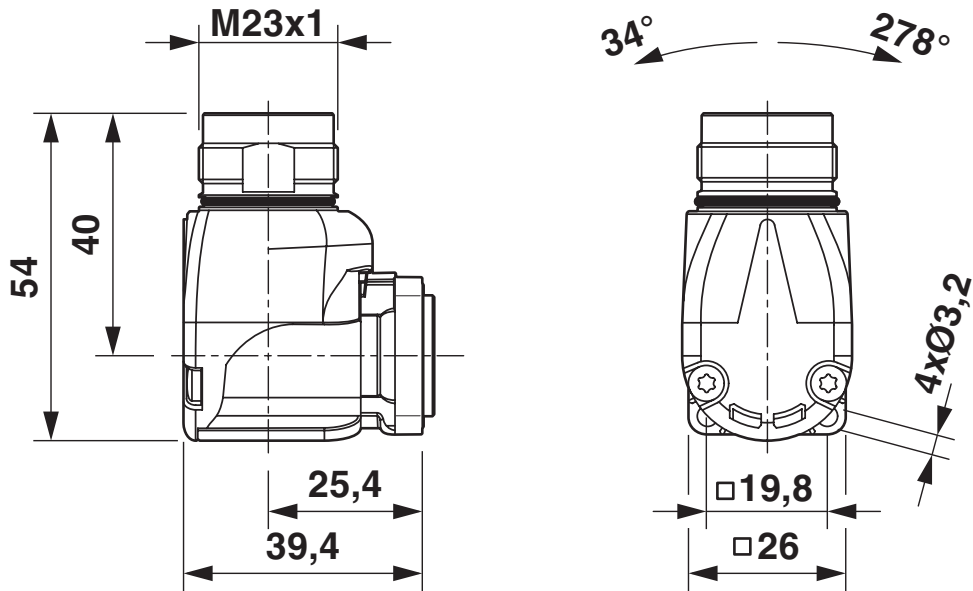
Device connector, front mounting - CA-09P1N8AAD00



1621735

<https://www.phoenixcontact.com/pc/products/1621735>

Dimensional drawing



Dimensional drawing


Device connector, front mounting - CA-09P1N8AAD00




1621735

<https://www.phoenixcontact.com/pc/products/1621735>

Approvals

 cUL Recognized Approval ID: E335019-20141210				
	Nominal Voltage U_N	Nominal Current I_N	Cross Section AWG	Cross Section mm^2
Power	48 V	12 A	- 14	-
Signal	48 V	4 A	- 20	-

 UL Recognized Approval ID: E335019-20141210				
	Nominal Voltage U_N	Nominal Current I_N	Cross Section AWG	Cross Section mm^2
Power	48 V	20 A	- 14	-
Signal	48 V	6 A	- 20	-

cULus Recognized				
-------------------------	--	--	--	--

Device connector, front mounting - CA-09P1N8AAD00



1621735

<https://www.phoenixcontact.com/pc/products/1621735>

Classifications

ECLASS

ECLASS-9.0	27379201
ECLASS-10.0.1	27371392
ECLASS-11.0	27371392

ETIM

ETIM 8.0	EC002498
----------	----------

UNSPSC

UNSPSC 21.0	39121100
-------------	----------

Device connector, front mounting - CA-09P1N8AAD00



1621735

<https://www.phoenixcontact.com/pc/products/1621735>

Environmental Product Compliance

China RoHS	Environmentally friendly use period: unlimited = EFUP-e
	No hazardous substances above threshold values

1621735

<https://www.phoenixcontact.com/pc/products/1621735>

Accessories

Crimp contact

Crimp contact - RC-5CP2000 - 1603513

<https://www.phoenixcontact.com/pc/products/1603513>



Crimp contact, turned, contact diameter: 2 mm, crimp range: 1 mm² ... 1.5 mm²

Crimp contact

Crimp contact - RC-11P2000 - 1596770

<https://www.phoenixcontact.com/pc/products/1596770>



Crimp contact, turned, Single contact, contact diameter: 1 mm, crimp range: 0.08 mm² ... 0.22 mm²

Device connector, front mounting - CA-09P1N8AAD00



1621735

<https://www.phoenixcontact.com/pc/products/1621735>

Crimp contact

Crimp contact - RC-5AP2000 - 1603505

<https://www.phoenixcontact.com/pc/products/1603505>



Crimp contact, turned, contact diameter: 2 mm, crimp range: 1.5 mm² ... 2.5 mm²

Crimp contact

Crimp contact - RC-12P2000 - 1597862

<https://www.phoenixcontact.com/pc/products/1597862>



Crimp contact, turned, Single contact, contact diameter: 1 mm, crimp range: 0.14 mm² ... 0.56 mm²

Device connector, front mounting - CA-09P1N8AAD00



1621735

<https://www.phoenixcontact.com/pc/products/1621735>

Crimp contact

Crimp contact - RC-5SP2000 - 1603529

<https://www.phoenixcontact.com/pc/products/1603529>



Crimp contact, turned, contact diameter: 2 mm, crimp range: 0.5 mm² ... 0.75 mm²

Crimp contact

Crimp contact - RC-1KP2000 - 1602996

<https://www.phoenixcontact.com/pc/products/1602996>



Crimp contact, turned, Single contact, contact diameter: 1 mm, crimp range: 0.5 mm² ... 1 mm²

Device connector, front mounting - CA-09P1N8AAD00



1621735

<https://www.phoenixcontact.com/pc/products/1621735>

Protective cap

Protective cap - SF-Z0019 - 1607449

<https://www.phoenixcontact.com/pc/products/1607449>



Plastic protection cap, with eye, IP40 for connectors with M23 external thread, RF, SF series

Crimp contact

Crimp contact - RC-22P2000 - 1603321

<https://www.phoenixcontact.com/pc/products/1603321>



Crimp contact, rolled, Single contact, contact diameter: 1 mm, crimp range: 0.22 mm² ... 0.56 mm², Single contact

Device connector, front mounting - CA-09P1N8AAD00



1621735

<https://www.phoenixcontact.com/pc/products/1621735>

Protective cap

Protective cap - RC-Z2059 - 1604225

<https://www.phoenixcontact.com/pc/products/1604225>

Plastic protection cap for connectors with M23 external thread



Crimp contact

Crimp contact - RC-22P2300 - 1603324

<https://www.phoenixcontact.com/pc/products/1603324>



Crimp contact, rolled, Taped articles, number of pieces per reel: 500, contact diameter: 1 mm, crimp range: 0.22 mm² ... 0.56 mm²

Device connector, front mounting - CA-09P1N8AAD00



1621735

<https://www.phoenixcontact.com/pc/products/1621735>

Plastic anti-static dust protection cap

Plastic anti-static dust protection cap - RC-Z2469 - 1611797

<https://www.phoenixcontact.com/pc/products/1611797>



Plastic protection cap, antistatic, for RF, SF, CA, RC series connectors, with M23 external thread

Crimp contact

Crimp contact - RC-22P2400 - 1603325

<https://www.phoenixcontact.com/pc/products/1603325>



Crimp contact, rolled, number of pieces per reel: 10000, contact diameter: 1 mm, crimp range: 0.22 mm² ... 0.56 mm²

Device connector, front mounting - CA-09P1N8AAD00



1621735

<https://www.phoenixcontact.com/pc/products/1621735>

Metal protective cap

Metal protective cap - RC-Z2104 - 1604260

<https://www.phoenixcontact.com/pc/products/1604260>



Metal protection cap for signal connectors with M23 external thread

Crimp contact

Crimp contact - RC-21P2000 - 1603310

<https://www.phoenixcontact.com/pc/products/1603310>



Crimp contact, rolled, Single contact, contact diameter: 1 mm, crimp range: 0.08 mm² ... 0.22 mm², Single contact

Device connector, front mounting - CA-09P1N8AAD00



1621735

<https://www.phoenixcontact.com/pc/products/1621735>

Color-coding

Color-coding - RF-Z0017 - 1620624

<https://www.phoenixcontact.com/pc/products/1620624>

Color-coding, color: green



Crimp contact

Crimp contact - RC-21P2300 - 1603313

<https://www.phoenixcontact.com/pc/products/1603313>



Crimp contact, rolled, Taped articles, number of pieces per reel: 500, contact diameter: 1 mm, crimp range: 0.08 mm² ... 0.22 mm²

Device connector, front mounting - CA-09P1N8AAD00



1621735

<https://www.phoenixcontact.com/pc/products/1621735>

Color-coding

Color-coding - RF-Z0018 - 1620625

<https://www.phoenixcontact.com/pc/products/1620625>

Color-coding, color: orange



Crimp contact

Crimp contact - RC-21P2400 - 1611637

<https://www.phoenixcontact.com/pc/products/1611637>



Crimp contact, rolled, number of pieces per reel: 10000, contact diameter: 1 mm, crimp range: 0.08 mm² ... 0.22 mm²

Device connector, front mounting - CA-09P1N8AAD00



1621735

<https://www.phoenixcontact.com/pc/products/1621735>

Color-coding

Color-coding - RF-Z0019 - 1620626

<https://www.phoenixcontact.com/pc/products/1620626>

Color-coding, color: anthracite



Phoenix Contact 2022 © - all rights reserved

<https://www.phoenixcontact.com>

PHOENIX CONTACT GmbH & Co. KG

Flachsmarktstraße 8

D-32825 Blomberg

+49 (0) 5235-3 00

info@phoenixcontact.com