

Cable connector - SH-8ESC58A8LDLS



1621517

<https://www.phoenixcontact.com/pc/products/1621517>

Please be informed that the data shown in this PDF document is generated from our Online Catalog. Please find the complete data in the user documentation. Our General Terms of Use for Downloads are valid.



Cable connector, SH, straight long, shielded: yes, SPEEDCON locking, M23, No. of pos.: 4+4+4+PE / 3+N+PE, Direction of rotation: Standard, type of contact: Socket, Crimp connection, cable diameter range: 7.5 mm ... 18 mm, coding:N

Your advantages

- Transmission of signals, data, and power in just a single connector
- CAT5 data interface for up to 100 Mbps
- Reduced connection time with optional SPEEDCON fast locking system
- Safe use in the field, thanks to high degree of protection
- Consistent EMC protection for reliable connection solutions in the industrial environment

Cable connector - SH-8ESC58A8LDLS



1621517

<https://www.phoenixcontact.com/pc/products/1621517>

Commercial Data

| | |
|--------------------------------------|--------------------------------|
| Item number | 1621517 |
| Packing unit | 1 pc |
| Minimum order quantity | 1 pc |
| Note | Made to Order (non-returnable) |
| Product Key | ABRCFH |
| Catalog Page | Page 118 (C-2-2019) |
| GTIN | 4046356936323 |
| Weight per Piece (including packing) | 139.1 g |
| Weight per Piece (excluding packing) | 127.1 g |
| Customs tariff number | 85366990 |
| Country of origin | DE |

Technical Data

Notes

Safety note

| | |
|--------------------|---|
| <p>Safety note</p> | <p>WARNING: The connectors may not be plugged in or disconnected under load. Ignoring the warning or improper use may damage persons and/or property.</p> <ul style="list-style-type: none"> • WARNING: Commission properly functioning products only. The products must be regularly inspected for damage. Decommission defective products immediately. Replace damaged products. Repairs are not possible. • WARNING: Only electrically qualified personnel may install and operate the product. They must observe the following safety notes. The qualified personnel must be familiar with the basics of electrical engineering. They must be able to recognize and prevent danger. The relevant symbol on the packaging indicates that only personnel familiar with electrical engineering are allowed to install and operate the product. • The products are suitable for applications in plant, controller, and electrical device engineering. • When operating the connectors in outdoor applications, they must be separately protected against environmental influences. • Assembled products may not be manipulated or improperly opened. • Only use mating connectors that are specified in the technical data of the standards listed (e.g. the ones listed in the product accessories online at phoenixcontact.com/products). • When using the product in direct connection with third-party manufacturers, the user is responsible. • For operating voltages > 50 V AC, conductive connector housings must be grounded • Ensure that the protective or functional ground has been properly connected. • VDE 0100/1.97 § 411.1.3.2 and DIN EN 60 204/11.98 § 14.1.3 are applicable when combining several circuits in a cable and/or connector • Only use tools recommended by Phoenix Contact • The installation notes/Design In documents online on the download page at phoenixcontact.com/products must be observed for this product. • Operate the connector only when it is fully plugged in and interlocked. • Ensure that when laying the cable, the tensile load on the connectors does not exceed the upper limit specified in the standards. • Observe the minimum bending radius of the cable. Lay the cable without twisting it. • The connector warms up in normal operation. Depending on the ambient conditions, the surface of the connector can continue to warm up. In this case, the user is responsible for posting warnings (e.g. DIN EN ISO 13732-1:2008-12). |
|--------------------|---|

Cable connector - SH-8ESC58A8LDLS



1621517

<https://www.phoenixcontact.com/pc/products/1621517>

Product properties

| | |
|--------------|---------------------------------|
| Product type | Circular connector (cable-side) |
|--------------|---------------------------------|

Ambient conditions

| | |
|---------------------------------|--|
| Ambient temperature (operation) | -40 °C ... 115 °C (see derating curve) |
|---------------------------------|--|

Connector

Insulating body

| | |
|-------------------------------------|--|
| Note | Order information: Crimp contacts, 4x Ø 0.8 mm, 4x Ø 1 mm, 5x Ø 2 mm, order separately |
| Protection against electric shock | IEC 61984 and VDE 0623 |
| Data rate | 100 Mbps |
| Coding | N |
| Insulation body material | PA 6.6 |
| Insertion/withdrawal cycles | 100 |
| Connection method | Crimp connection |
| Contact type | Socket |
| Application | Hybrid |
| Number of positions | 13 |
| Direction of rotation | Standard |
| Connection profile | 4+4+4+PE / 3+N+PE |
| Contact diameter | 2 mm |
| Max. cross section | 4 mm ² 4 mm ² |
| Note | for max. connection cross section for max. connection cross section |
| Rated surge voltage | 6 kV 6 kV |
| Rated voltage (II/3) power contact | 850 V DC 850 V DC |
| Rated voltage (III/3) power contact | 630 V AC |

Housing

| | |
|----------------------|-----------------------|
| Type of locking | SPEEDCON locking |
| Thread type | M23 |
| Degree of protection | IP67 IP68 IP69K |
| Housing material | Metal |

Seal

| | |
|-------------------------|------------------|
| External cable diameter | 7.5 mm ... 18 mm |
|-------------------------|------------------|

Cable connector - SH-8ESC58A8LDLS

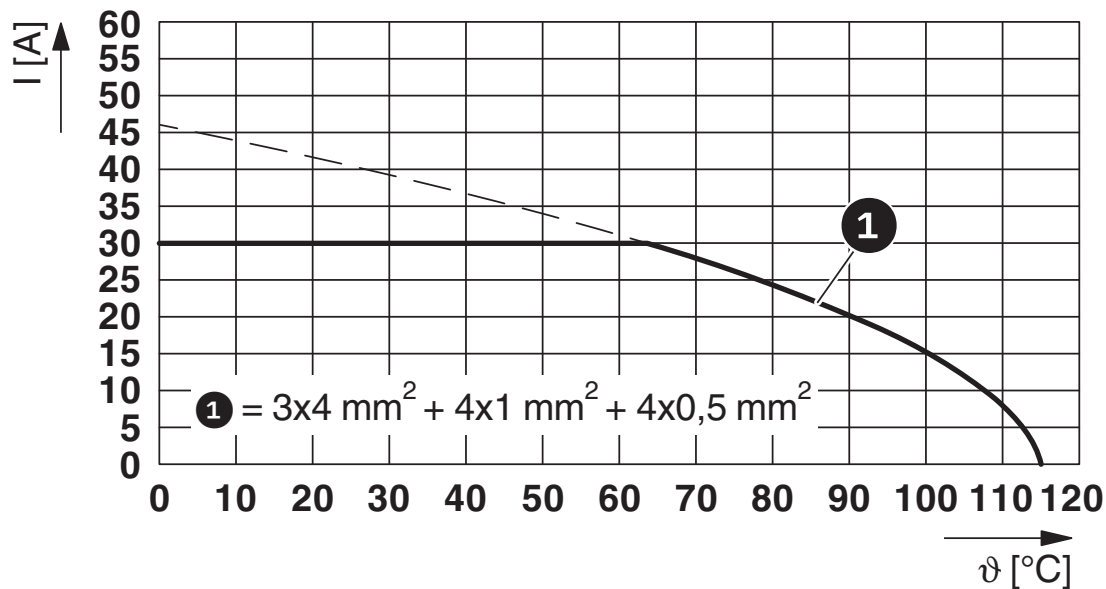


1621517

<https://www.phoenixcontact.com/pc/products/1621517>

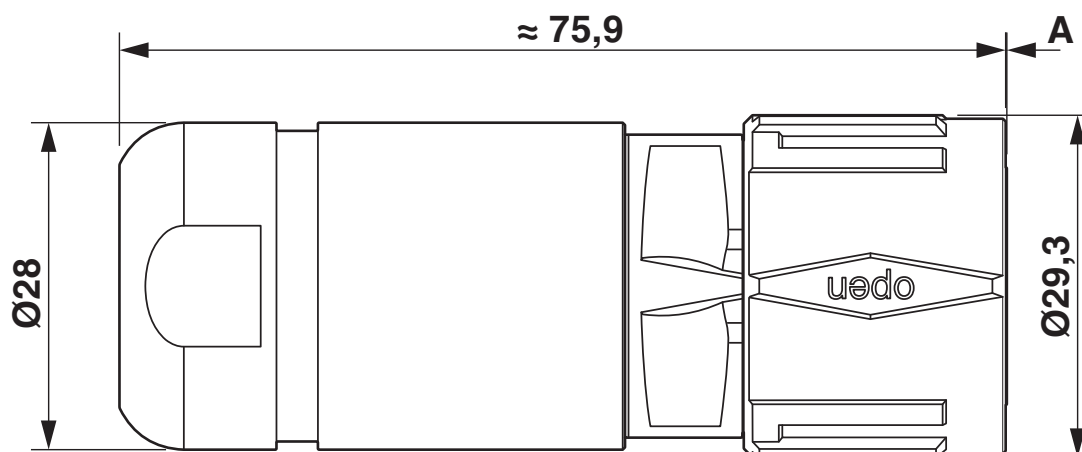
Drawings

Diagram



I = current strength, ϑ = ambient temperature, power contacts A-C: 3 x up to 30 A, signal contacts: 4 x 2 A constant, data contacts: 4 x 1 A constant

Dimensional drawing



Pin version: dimension A = 0.2 mm, socket version: dimension A = 0 mm


Cable connector - SH-8ESC58A8LDLS





1621517

<https://www.phoenixcontact.com/pc/products/1621517>

Approvals

|  cUL Recognized Approval ID: E153698-20181206 | | | | |
|--|-----------------------|-----------------------|-------------------|-----------------------------|
| | Nominal Voltage U_N | Nominal Current I_N | Cross Section AWG | Cross Section mm^2 |
| Power | 600 V | 21.4 A | - 12 | - |
| Control | 50 V | 4 A | - 18 | - |

|  UL Recognized Approval ID: E153698-20181206 | | | | |
|---|-----------------------|-----------------------|-------------------|-----------------------------|
| | Nominal Voltage U_N | Nominal Current I_N | Cross Section AWG | Cross Section mm^2 |
| Power | 600 V | 24 A | - 12 | - |
| Control | 50 V | 4 A | - 18 | - |

|  EAC Approval ID: B.01687 | |
|---|--|
|---|--|

| cULus Recognized | |
|-------------------------|--|
|-------------------------|--|

Cable connector - SH-8ESC58A8LDLS



1621517

<https://www.phoenixcontact.com/pc/products/1621517>

Classifications

ECLASS

| | |
|---------------|----------|
| ECLASS-9.0 | 27440102 |
| ECLASS-10.0.1 | 27440102 |
| ECLASS-11.0 | 27440102 |

ETIM

| | |
|----------|----------|
| ETIM 8.0 | EC002635 |
|----------|----------|

UNSPSC

| | |
|-------------|----------|
| UNSPSC 21.0 | 39121400 |
|-------------|----------|

Cable connector - SH-8ESC58A8LDLS



1621517

<https://www.phoenixcontact.com/pc/products/1621517>

Environmental Product Compliance

| | |
|------------|--|
| REACH SVHC | Lead 7439-92-1 |
| China RoHS | Environmentally Friendly Use Period = 50 years |
| | For information on hazardous substances, refer to the manufacturer's declaration available under "Downloads" |

Cable connector - SH-8ESC58A8LDLS

1621517

<https://www.phoenixcontact.com/pc/products/1621517>

Accessories

Square mounting flange

Square mounting flange - SF-Z0068 - 1620927

<https://www.phoenixcontact.com/pc/products/1620927>



Square mounting flange, 4xM3, flange dimensions: 38 mm x 38 mm, series: SF

Crimp contact

Crimp contact - SF-08KS010 - 1621571

<https://www.phoenixcontact.com/pc/products/1621571>



Crimp contact, turned, contact diameter: 0.8 mm, crimp range: 0.08 mm² ... 0.25 mm²

Cable connector - SH-8ESC58A8LDLS



1621517

<https://www.phoenixcontact.com/pc/products/1621517>

Hybrid cable

Hybrid cable - KC-88014311/1,00 - 1623127

<https://www.phoenixcontact.com/pc/products/1623127>

Hybrid cable, length: 1 m, color of outer sheath: orange RAL 2003



Crimp contact

Crimp contact - SF-08KS020 - 1621573

<https://www.phoenixcontact.com/pc/products/1621573>

Crimp contact, turned, contact diameter: 0.8 mm, crimp range: 0.34 mm² ... 0.5 mm²



Cable connector - SH-8ESC58A8LDLS

1621517

<https://www.phoenixcontact.com/pc/products/1621517>

Hybrid cable

Hybrid cable - KC-88014311/100,00 - 1623039

<https://www.phoenixcontact.com/pc/products/1623039>

Hybrid cable, length: 100 m, color of outer sheath: orange RAL 2003



Crimp contact

Crimp contact - ST-10KS010 - 1618239

<https://www.phoenixcontact.com/pc/products/1618239>

Crimp contact, turned, Single contact, contact diameter: 1 mm, crimp range: 0.06 mm² ... 0.25 mm²



Cable connector - SH-8ESC58A8LDLS

1621517

<https://www.phoenixcontact.com/pc/products/1621517>

Hybrid cable

Hybrid cable - KC-88014311/20,00 - 1622080

<https://www.phoenixcontact.com/pc/products/1622080>

Hybrid cable, length: 20 m, color of outer sheath: orange RAL 2003



Crimp contact

Crimp contact - ST-10KS035 - 1618464

<https://www.phoenixcontact.com/pc/products/1618464>

Crimp contact, turned, contact diameter: 1 mm, crimp range: 0.25 mm² ... 1 mm²



Cable connector - SH-8ESC58A8LDLS

1621517

<https://www.phoenixcontact.com/pc/products/1621517>

Sample set

Sample set - M23 HYBRID_CONTACT-SAMPLE-SET - 1623252

<https://www.phoenixcontact.com/pc/products/1623252>



Sample set consisting of 4x Ø 1.0 mm, 4x Ø 0.8 mm, 5x Ø 2.0 mm socket and pin contacts for M23 hybrid connectors. Contacts included: 1621573, 1618464, 1621577, 1621575, 1618458, 1621580

Crimp contact

Crimp contact - SF-20KS021 - 1621576

<https://www.phoenixcontact.com/pc/products/1621576>



Crimp contact, turned, contact diameter: 2 mm, crimp range: 0.25 mm² ... 1 mm²

Cable connector - SH-8ESC58A8LDLS

1621517

<https://www.phoenixcontact.com/pc/products/1621517>



Torque screwdriver

Torque screwdriver - SF-Z0028 - 1607456

<https://www.phoenixcontact.com/pc/products/1607456>

Torque screwdriver, series: RC



Crimp contact

Crimp contact - SF-20KS022 - 1621577

<https://www.phoenixcontact.com/pc/products/1621577>

Crimp contact, turned, contact diameter: 2 mm, crimp range: 1.5 mm² ... 2.5 mm²



Cable connector - SH-8ESC58A8LDLS

1621517

<https://www.phoenixcontact.com/pc/products/1621517>

Metal protective cap

Metal protective cap - SH-Z0077 - 1627226

<https://www.phoenixcontact.com/pc/products/1627226>



Metal protection cap with steel wire and loop, for M23 power and hybrid connectors with knurled nut for fastening to the cable

Crimp contact

Crimp contact - SF-20KS023 - 1621578

<https://www.phoenixcontact.com/pc/products/1621578>



Crimp contact, turned, contact diameter: 2 mm, crimp range: 2.5 mm² ... 4 mm²

Cable connector - SH-8ESC58A8LDLS

1621517

<https://www.phoenixcontact.com/pc/products/1621517>

Metal protective cap

Metal protective cap - SH-Z2300 - 1622141

<https://www.phoenixcontact.com/pc/products/1622141>

Metal protection cap with steel wire, for M23 hybrid connectors with knurled nut



Color-coding

Color-coding - SF-Z0064 - 1620585

<https://www.phoenixcontact.com/pc/products/1620585>

Color-coding, color: green



Cable connector - SH-8ESC58A8LDLS

1621517

<https://www.phoenixcontact.com/pc/products/1621517>

Color-coding

Color-coding - SF-Z0065 - 1620586

<https://www.phoenixcontact.com/pc/products/1620586>

Color-coding, color: orange



Color-coding

Color-coding - SF-Z0066 - 1620587

<https://www.phoenixcontact.com/pc/products/1620587>

Color-coding, color: black



Phoenix Contact 2022 © - all rights reserved
<https://www.phoenixcontact.com>

PHOENIX CONTACT GmbH & Co. KG
Flachsmarktstraße 8
D-32825 Blomberg
+49 (0) 5235-3 00
info@phoenixcontact.com