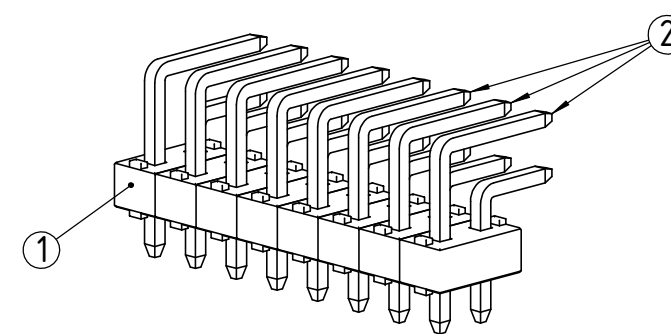
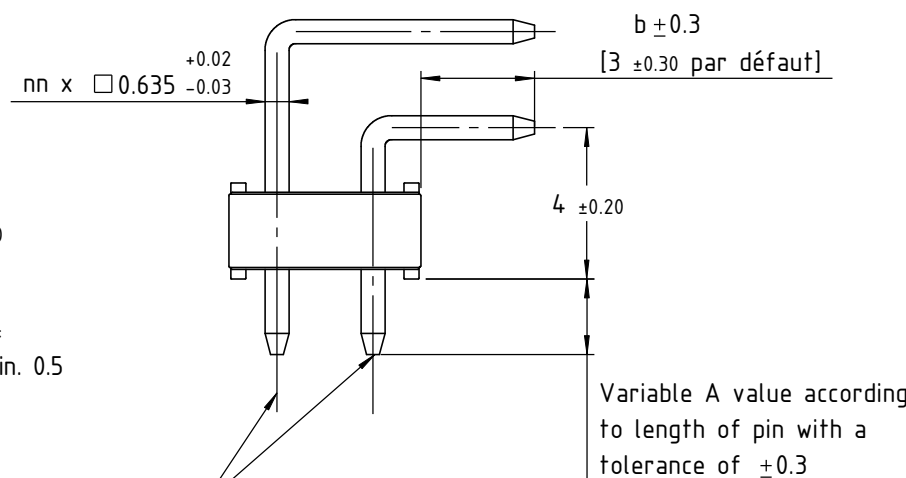
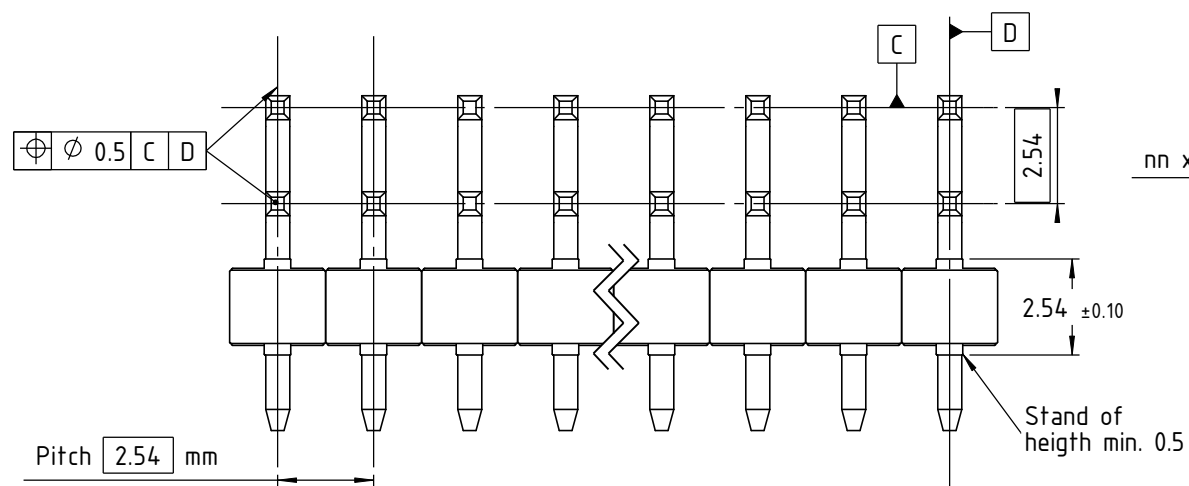


Ce plan est la propriété exclusive de la société NICOMATIC. Il ne peut être reproduit sans son autorisation. Loi du 11.03.1902.
 This document and drawings, sketches, and schematic drawings are the property of the NICOMATIC company.
 and no parts thereof may be reproduced and used without the written consent of the owner. Law dated 11.03.1902



16-yy-2zz-nn-m-(Bb)

Code correspond :

- * 16 : 90° male header , double row
Insulator h=2.54mm width=2.54
- * yy : Pin length (See table).
- * 2 : 90° pin, insulator simple.
- * zz : Plating and pitch
(See table).
- * nn : Number of pin $02 \leq nn \leq 40$.
- * m : Material of insulator (See table).
- * b : Dimension in mm;
at the end of the reference special it's different from 3 (Ex : -B5.1).

Plating and pitch		
zz Code	Plating	Pitch (mm)
11	Tin	2.54
12	Tin	5.08
13	Tin	7.62
31	Selectif gold	2.54
32	Selectif gold	5.08
33	Selectif gold	7.62
41	Gold	2.54
42	Gold	5.08
43	Gold	7.62

Material of insulator	
m Code	Material
1	Black polyester plastics UL94V0.
9	Black high temperature polyester plastics UL94V0.

NOTA :
 Pin plating :
 - Tin : Ni 2μ + Sn 5μ.
 - Selectif gold : Ni 2μ + Au <0.1μ
 (only mating area).
 - Gold : Ni 2μ + Au <0.1μ.

Length code of pin								
yy code	Length (mm)	Value A (mm)	yy code	Length (mm)	Value A (mm)	yy code	Length (mm)	Value A (mm)
Code 09	8.2	0.5	Code 29	18	10.3	Code 43	31.5	23.8
Code 11	9.2	1.5	Code 30	18.6	10.9	Code 44	34	26.3
Code 13	10.2	2.5	Code 31	19.5	11.8	Code 45	35.7	28
Code 15	11.2	3.5	Code 33	22	14.3	Code 48	37.8	30.1
Code 17	12.4	4.7	Code 35	23.3	15.6	Code 49	39	31.3
Code 19	13.8	6.1	Code 36	25	17.3	Code 50	40.8	33.1
Code 21	14.5	6.8	Code 37	25.8	18.1	Code 65	42.5	34.8
Code 22	15.1	7.4	Code 38	26.3	18.6	Code 66	43	35.3
Code 24	16	8.3	Code 39	28.3	20.6			
Code 27	17	9.3	Code 40	29	21.3			
Code 28	17.7	10	Code 42	30.8	23.1			

Rep.	Nb	Reference	Designation	Material	Plating
1	nn/2	Insulator H2,54	Insulator	See correspond "m" code	
2	nn/2	Ref NICOMATIC	Square size pin	Cu Zn 33	See nota
3	nn/2	yy Code	Square size pin	Cu Zn 33	See nota

ZI Les Bracots
 F-74890 Bons-en-Chablais
 Tel. : +33 (0)4.50.36.13.85
 Fax : +33 (0)4.50.36.11.33

Ind.	Date	Modification	Drawn	Checked	Approved
c	17/09/07	OM 07 132	J.R.		D.Z.
b	15/03/07	OM 07 022 + OM 07 034	J.R.		D.Z.
a	02/11/06	Edition originale	J.R.		D.Z.

Désignation : Barrette Mâle coudée
 Double rangées
 Designation : 90° Male Header
 Double row.

Repertoire /
Folder

Echelle/Scale
5:1

Tolérance générale /
General tolerance
±0.2

Réf. Catalogue /
Catalogue Reference

16-yy-2zz-nn-1(-Bb)

N° Plan /
Drawing N°

16-yy-2zz-nn-1

Page
2/2

A3