

# Coupler connector - CA-07S1N129006



1620141

<https://www.phoenixcontact.com/us/products/1620141>

Please be informed that the data shown in this PDF document is generated from our Online Catalog. Please find the complete data in the user documentation. Our General Terms of Use for Downloads are valid.

---



Coupler connector, CA, straight, shielded: yes, for standard and SPEEDCON interlock, M23, No. of pos.: 7, Direction of rotation: Standard, type of contact: Socket, Solder connection, cable diameter range: 4 mm ... 6 mm, coding:N

---

## Your advantages

- Safe use in the field, thanks to high degree of protection
- Connector for flexible on-site assembly
- Consistent EMC protection for reliable transmission of signals
- Solder connection: proven connection technology for various litz wires

# Coupler connector - CA-07S1N129006



1620141

<https://www.phoenixcontact.com/us/products/1620141>

## Commercial Data

Item number	1620141
Packing unit	1 pc
Minimum order quantity	1 pc
Sales Key	A12
Product Key	ABRBFI
Catalog Page	Page 88 (C-2-2019)
GTIN	4046356819039
Weight per Piece (including packing)	98.9 g
Weight per Piece (excluding packing)	98.9 g
Customs tariff number	85366990
Country of origin	DE

# Coupler connector - CA-07S1N129006



1620141

<https://www.phoenixcontact.com/us/products/1620141>

## Technical Data

### Product properties

Product type	Circular connector (cable-side)
--------------	---------------------------------

### Ambient conditions

Ambient temperature (operation)	-40 °C ... 125 °C
---------------------------------	-------------------

### Connector

#### Insulating body

Coding	N
Insulation body material	PBT
Contact material	CuZn
Contact surface material	Ni/Au
Insertion/withdrawal cycles	100
Connection method	Solder connection
Contact type	Socket
Application	Signal
Number of positions	7
Direction of rotation	Standard
Connection profile	7
Rated voltage	48 V AC 48 V AC
Rated surge voltage	1.5 kV
Overvoltage category	III
Degree of pollution	3
Contact diameter <b>Signal contacts</b>	2 mm
<b>Signal contacts</b> max.	2.5 mm <sup>2</sup>
Nominal current	20 A

#### Housing

Housing material	Turned parts: copper zinc alloy (CuZn), die-cast parts: zinc (GD-Zn)
Type of locking	for standard and SPEEDCON interlock
Degree of protection (plugged in)	IP67
Thread type	M23

#### Seal

External cable diameter	4 mm ... 6 mm
Seal material	NBR

# Coupler connector - CA-07S1N129006

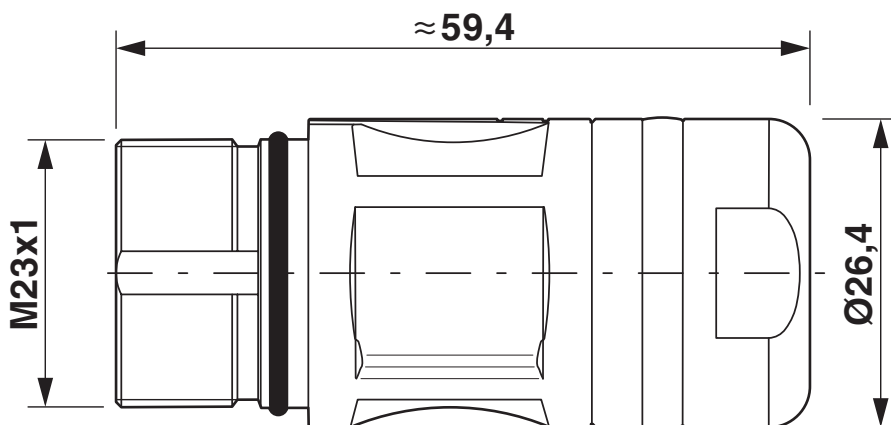


1620141

<https://www.phoenixcontact.com/us/products/1620141>

## Drawings

Dimensional drawing




# Coupler connector - CA-07S1N129006



1620141

<https://www.phoenixcontact.com/us/products/1620141>

## Approvals

 <b>cUL Recognized</b> Approval ID: E335019-20141210				
	Nominal Voltage $U_N$	Nominal Current $I_N$	Cross Section AWG	Cross Section $\text{mm}^2$
	48 V	10 A	- 14	-

 <b>UL Recognized</b> Approval ID: E335019-20141210				
	Nominal Voltage $U_N$	Nominal Current $I_N$	Cross Section AWG	Cross Section $\text{mm}^2$
	48 V	20 A	- 14	-

**cULus Recognized**

# Coupler connector - CA-07S1N129006



1620141

<https://www.phoenixcontact.com/us/products/1620141>

## Classifications

### ECLASS

ECLASS-9.0	27440102
ECLASS-10.0.1	27440102
ECLASS-11.0	27440102

### ETIM

ETIM 8.0	EC002635
----------	----------

### UNSPSC

UNSPSC 21.0	39121400
-------------	----------

# Coupler connector - CA-07S1N129006



1620141

<https://www.phoenixcontact.com/us/products/1620141>

## Environmental Product Compliance

REACH SVHC	Lead 7439-92-1
China RoHS	Environmentally Friendly Use Period = 50 years
	For information on hazardous substances, refer to the manufacturer's declaration available under "Downloads"

# Coupler connector - CA-07S1N129006

1620141

<https://www.phoenixcontact.com/us/products/1620141>

## Accessories

### Protective cap

Protective cap - SF-Z0019 - 1607449

<https://www.phoenixcontact.com/us/products/1607449>



Plastic protection cap, with eye, IP40 for connectors with M23 external thread, RF, SF series

---

### Protective cap

Protective cap - RC-Z2059 - 1604225

<https://www.phoenixcontact.com/us/products/1604225>



Plastic protection cap for connectors with M23 external thread

# Coupler connector - CA-07S1N129006

1620141

<https://www.phoenixcontact.com/us/products/1620141>

## Plastic anti-static dust protection cap

Plastic anti-static dust protection cap - RC-Z2469 - 1611797

<https://www.phoenixcontact.com/us/products/1611797>



Plastic protection cap, antistatic, for RF, SF, CA, RC series connectors, with M23 external thread

---

## Color-coding

Color-coding - RF-Z0015 - 1620592

<https://www.phoenixcontact.com/us/products/1620592>

Color-coding, color: orange



# Coupler connector - CA-07S1N129006



1620141

<https://www.phoenixcontact.com/us/products/1620141>

## Color-coding

Color-coding - RF-Z0016 - 1620593

<https://www.phoenixcontact.com/us/products/1620593>

Color-coding, color: black



---

## Color-coding

Color-coding - RF-Z0014 - 1620588

<https://www.phoenixcontact.com/us/products/1620588>

Color-coding, color: green



---

Phoenix Contact 2022 © - all rights reserved  
<https://www.phoenixcontact.com>

Phoenix Contact USA  
586 Fulling Mill Road  
Middletown, PA 17057, United States  
(+717) 944-1300  
[info@phoenixcon.com](mailto:info@phoenixcon.com)