

Coupler connector - CA-17F1N8A95DU



1620014

<https://www.phoenixcontact.com/pc/products/1620014>

Please be informed that the data shown in this PDF document is generated from our Online Catalog. Please find the complete data in the user documentation. Our General Terms of Use for Downloads are valid.



Coupler connector, CA, straight, shielded: yes, for standard and SPEEDCON interlock, M23, No. of pos.: 17, Direction of rotation: Standard, type of contact: Socket, Crimp connection, cable diameter range: 3 mm ... 14.5 mm, coding:N

Your advantages

- Safe use in the field, thanks to high degree of protection
- Connector for flexible on-site assembly
- Consistent EMC protection for reliable connection solutions in the industrial environment
- Crimping connection: vibration- and temperature-resistant assembly

Coupler connector - CA-17F1N8A95DU



1620014

<https://www.phoenixcontact.com/pc/products/1620014>

Commercial Data

Item number	1620014
Packing unit	1 pc
Minimum order quantity	1 pc
Note	Made to Order (non-returnable)
Product Key	ABRBFI
Catalog Page	Page 111 (C-2-2019)
GTIN	4046356819817
Weight per Piece (including packing)	94.066 g
Weight per Piece (excluding packing)	94 g
Customs tariff number	85366990
Country of origin	DE

1620014

<https://www.phoenixcontact.com/pc/products/1620014>

Technical Data

Notes

Order information:	Order 17 x 1 mm crimp contacts separately
--------------------	---

Product properties

Product type	Circular connector (cable-side)
--------------	---------------------------------

Ambient conditions

Ambient temperature (operation)	-40 °C ... 125 °C
---------------------------------	-------------------

Connector

Insulating body

Note	Order information: Order crimp contacts Ø 1 mm separately
Coding	N
Insulation body material	PA 6.6
Connection method	Crimp connection
Contact type	Socket
Application	Feedback, signal Signal
Number of positions	17
Direction of rotation	Standard
Connection profile	17

Housing

Type of locking	for standard and SPEEDCON interlock
Thread type	M23
Degree of protection	IP67
Housing material	Turned parts: copper zinc alloy (CuZn), die-cast parts: zinc (GD-Zn)

Seal

Seal material	FPM
External cable diameter	3 mm ... 14.5 mm

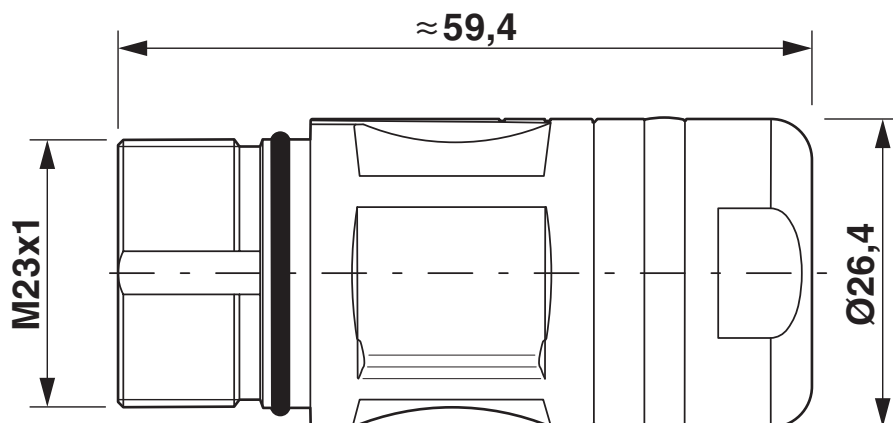
Coupler connector - CA-17F1N8A95DU

1620014

<https://www.phoenixcontact.com/pc/products/1620014>

Drawings

Dimensional drawing




Coupler connector - CA-17F1N8A95DU



1620014

<https://www.phoenixcontact.com/pc/products/1620014>

Approvals

 cUL Recognized Approval ID: E335019-20141210				
	Nominal Voltage U_N	Nominal Current I_N	Cross Section AWG	Cross Section mm^2
	48 V	5 A	- 18	-

 UL Recognized Approval ID: E335019-20141210				
	Nominal Voltage U_N	Nominal Current I_N	Cross Section AWG	Cross Section mm^2
	48 V	8 A	- 18	-

cULus Recognized

Coupler connector - CA-17F1N8A95DU



1620014

<https://www.phoenixcontact.com/pc/products/1620014>

Classifications

ECLASS

ECLASS-9.0	27440102
ECLASS-10.0.1	27440102
ECLASS-11.0	27440102

ETIM

ETIM 8.0	EC002635
----------	----------

UNSPSC

UNSPSC 21.0	39121400
-------------	----------

Coupler connector - CA-17F1N8A95DU



1620014

<https://www.phoenixcontact.com/pc/products/1620014>

Environmental Product Compliance

REACH SVHC	Lead 7439-92-1
China RoHS	Environmentally Friendly Use Period = 50 years
	For information on hazardous substances, refer to the manufacturer's declaration available under "Downloads"

Coupler connector - CA-17F1N8A95DU

1620014

<https://www.phoenixcontact.com/pc/products/1620014>

Accessories

Crimp contact

Crimp contact - SF-6CS2000 - 1605562

<https://www.phoenixcontact.com/pc/products/1605562>



Crimp contact, turned, Single contact, contact diameter: 1 mm, crimp range: 0.06 mm² ... 0.25 mm²

Crimp contact

Crimp contact - SF-10KS004 - 1607356

<https://www.phoenixcontact.com/pc/products/1607356>



Crimp contact, turned, Single contact, contact diameter: 1 mm, crimp range: 0.14 mm² ... 0.5 mm²

Coupler connector - CA-17F1N8A95DU

1620014

<https://www.phoenixcontact.com/pc/products/1620014>

Crimp contact

Crimp contact - SF-6AS2000 - 1605557

<https://www.phoenixcontact.com/pc/products/1605557>



Crimp contact, turned, Single contact, contact diameter: 1 mm, crimp range: 0.25 mm² ... 1 mm²

Protective cap

Protective cap - SF-Z0019 - 1607449

<https://www.phoenixcontact.com/pc/products/1607449>



Plastic protection cap, with eye, IP40 for connectors with M23 external thread, RF, SF series

Coupler connector - CA-17F1N8A95DU

1620014

<https://www.phoenixcontact.com/pc/products/1620014>

Protective cap

Protective cap - RC-Z2059 - 1604225

<https://www.phoenixcontact.com/pc/products/1604225>

Plastic protection cap for connectors with M23 external thread



Plastic anti-static dust protection cap

Plastic anti-static dust protection cap - RC-Z2469 - 1611797

<https://www.phoenixcontact.com/pc/products/1611797>

Plastic protection cap, antistatic, for RF, SF, CA, RC series connectors, with M23 external thread



Coupler connector - CA-17F1N8A95DU

1620014

<https://www.phoenixcontact.com/pc/products/1620014>

Metal protective cap

Metal protective cap - RC-Z2104 - 1604260

<https://www.phoenixcontact.com/pc/products/1604260>



Metal protection cap for signal connectors with M23 external thread

Metal protective cap

Metal protective cap - RC-Z2068 - 1604236

<https://www.phoenixcontact.com/pc/products/1604236>



Metal protection cap with steel wire for signal connectors with M23 external thread

Coupler connector - CA-17F1N8A95DU

1620014

<https://www.phoenixcontact.com/pc/products/1620014>

Color-coding

Color-coding - RF-Z0014 - 1620588

<https://www.phoenixcontact.com/pc/products/1620588>

Color-coding, color: green



Color-coding

Color-coding - RF-Z0015 - 1620592

<https://www.phoenixcontact.com/pc/products/1620592>

Color-coding, color: orange



Coupler connector - CA-17F1N8A95DU



1620014

<https://www.phoenixcontact.com/pc/products/1620014>

Color-coding

Color-coding - RF-Z0016 - 1620593

<https://www.phoenixcontact.com/pc/products/1620593>

Color-coding, color: black



Phoenix Contact 2022 © - all rights reserved

<https://www.phoenixcontact.com>

PHOENIX CONTACT GmbH & Co. KG

Flachsmarktstraße 8

D-32825 Blomberg

+49 (0) 5235-3 00

info@phoenixcontact.com