

# Coupler connector - CA-12M2N8A9502



1620010

<https://www.phoenixcontact.com/pc/products/1620010>

Please be informed that the data shown in this PDF document is generated from our Online Catalog. Please find the complete data in the user documentation. Our General Terms of Use for Downloads are valid.

---



Coupler connector, CA, straight, shielded: yes, for standard and SPEEDCON interlock, M23, No. of pos.: 12, Direction of rotation: Counter direction, type of contact: Pin, Crimp connection, cable diameter range: 4 mm ... 6 mm, coding:N

---

## Your advantages

- Safe use in the field, thanks to high degree of protection
- Connector for flexible on-site assembly
- Consistent EMC protection for reliable connection solutions in the industrial environment
- Crimping connection: vibration- and temperature-resistant assembly

# Coupler connector - CA-12M2N8A9502



1620010

<https://www.phoenixcontact.com/pc/products/1620010>

## Commercial Data

Item number	1620010
Packing unit	1 pc
Minimum order quantity	1 pc
Note	Made to Order (non-returnable)
Product Key	ABRBFI
Catalog Page	Page 111 (C-2-2019)
GTIN	4046356819848
Weight per Piece (including packing)	98.41 g
Weight per Piece (excluding packing)	98.4 g
Customs tariff number	85366990
Country of origin	DE

# Coupler connector - CA-12M2N8A9502



1620010

<https://www.phoenixcontact.com/pc/products/1620010>

## Technical Data

### Notes

Order information:	Order crimp contacts Ø 1 mm separately
--------------------	--

### Product properties

Product type	Circular connector (cable-side)
--------------	---------------------------------

### Ambient conditions

Ambient temperature (operation)	-40 °C ... 125 °C
---------------------------------	-------------------

### Connector

#### Insulating body

Note	Order information: Order crimp contacts Ø 1 mm separately
Coding	N
Insulation body material	PA 6.6
Connection method	Crimp connection
Contact type	Pin
Application	Feedback, signal Signal
Number of positions	12
Direction of rotation	Counter direction
Connection profile	12

#### Housing

Type of locking	for standard and SPEEDCON interlock
Thread type	M23
Degree of protection	IP67
Housing material	Turned parts: copper zinc alloy (CuZn), die-cast parts: zinc (GD-Zn)

#### Seal

Seal material	FPM
External cable diameter	4 mm ... 6 mm

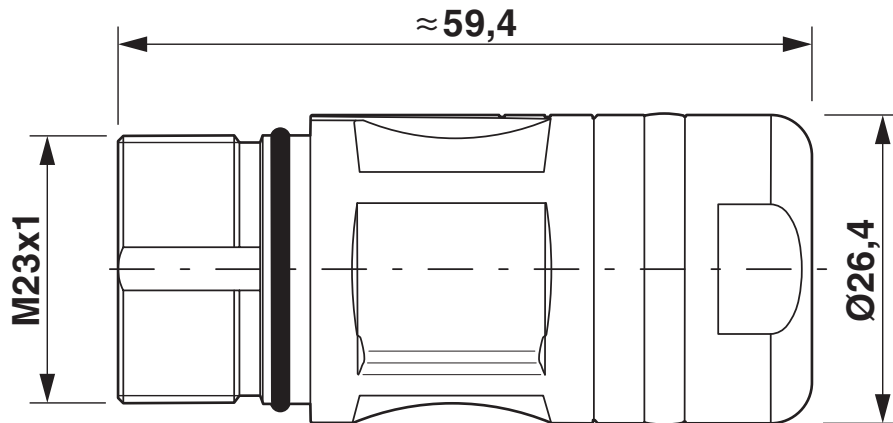
# Coupler connector - CA-12M2N8A9502

1620010

<https://www.phoenixcontact.com/pc/products/1620010>

## Drawings

Dimensional drawing




# Coupler connector - CA-12M2N8A9502



1620010

<https://www.phoenixcontact.com/pc/products/1620010>

## Approvals

 <b>cUL Recognized</b> Approval ID: E335019-20141210				
	Nominal Voltage $U_N$	Nominal Current $I_N$	Cross Section AWG	Cross Section $\text{mm}^2$
	48 V	6 A	- 18	-

 <b>UL Recognized</b> Approval ID: E335019-20141210				
	Nominal Voltage $U_N$	Nominal Current $I_N$	Cross Section AWG	Cross Section $\text{mm}^2$
	48 V	8 A	- 18	-

**cULus Recognized**

# Coupler connector - CA-12M2N8A9502



1620010

<https://www.phoenixcontact.com/pc/products/1620010>

## Classifications

### ECLASS

ECLASS-9.0	27440102
ECLASS-10.0.1	27440102
ECLASS-11.0	27440102

### ETIM

ETIM 8.0	EC002635
----------	----------

### UNSPSC

UNSPSC 21.0	39121400
-------------	----------

# Coupler connector - CA-12M2N8A9502



1620010

<https://www.phoenixcontact.com/pc/products/1620010>

## Environmental Product Compliance

REACH SVHC	Lead 7439-92-1
China RoHS	Environmentally Friendly Use Period = 50 years
	For information on hazardous substances, refer to the manufacturer's declaration available under "Downloads"

# Coupler connector - CA-12M2N8A9502

1620010

<https://www.phoenixcontact.com/pc/products/1620010>

## Accessories

### Crimp contact

Crimp contact - SF-6CP2000 - 1605559

<https://www.phoenixcontact.com/pc/products/1605559>



Crimp contact, turned, Single contact, contact diameter: 1 mm, crimp range: 0.06 mm<sup>2</sup> ... 0.25 mm<sup>2</sup>

---

### Crimp contact

Crimp contact - SF-10KP004 - 1607355

<https://www.phoenixcontact.com/pc/products/1607355>



Crimp contact, turned, Single contact, contact diameter: 1 mm, crimp range: 0.14 mm<sup>2</sup> ... 0.5 mm<sup>2</sup>

# Coupler connector - CA-12M2N8A9502

1620010

<https://www.phoenixcontact.com/pc/products/1620010>

## Crimp contact

Crimp contact - SF-6AP2000 - 1605554

<https://www.phoenixcontact.com/pc/products/1605554>



Crimp contact, turned, Single contact, contact diameter: 1 mm, crimp range: 0.25 mm<sup>2</sup> ... 1 mm<sup>2</sup>

---

## Protective cap

Protective cap - SF-Z0019 - 1607449

<https://www.phoenixcontact.com/pc/products/1607449>



Plastic protection cap, with eye, IP40 for connectors with M23 external thread, RF, SF series

# Coupler connector - CA-12M2N8A9502

1620010

<https://www.phoenixcontact.com/pc/products/1620010>

## Protective cap

Protective cap - RC-Z2059 - 1604225

<https://www.phoenixcontact.com/pc/products/1604225>

Plastic protection cap for connectors with M23 external thread



---

## Plastic anti-static dust protection cap

Plastic anti-static dust protection cap - RC-Z2469 - 1611797

<https://www.phoenixcontact.com/pc/products/1611797>

Plastic protection cap, antistatic, for RF, SF, CA, RC series connectors, with M23 external thread



# Coupler connector - CA-12M2N8A9502

1620010

<https://www.phoenixcontact.com/pc/products/1620010>

## Metal protective cap

Metal protective cap - RC-Z2104 - 1604260

<https://www.phoenixcontact.com/pc/products/1604260>



Metal protection cap for signal connectors with M23 external thread

---

## Metal protective cap

Metal protective cap - RC-Z2068 - 1604236

<https://www.phoenixcontact.com/pc/products/1604236>



Metal protection cap with steel wire for signal connectors with M23 external thread

# Coupler connector - CA-12M2N8A9502

1620010

<https://www.phoenixcontact.com/pc/products/1620010>

## Color-coding

Color-coding - RF-Z0014 - 1620588

<https://www.phoenixcontact.com/pc/products/1620588>

Color-coding, color: green



---

## Color-coding

Color-coding - RF-Z0015 - 1620592

<https://www.phoenixcontact.com/pc/products/1620592>

Color-coding, color: orange



# Coupler connector - CA-12M2N8A9502



1620010

<https://www.phoenixcontact.com/pc/products/1620010>

## Color-coding

Color-coding - RF-Z0016 - 1620593

<https://www.phoenixcontact.com/pc/products/1620593>

Color-coding, color: black



---

Phoenix Contact 2022 © - all rights reserved

<https://www.phoenixcontact.com>

PHOENIX CONTACT GmbH & Co. KG

Flachsmarktstraße 8

D-32825 Blomberg

+49 (0) 5235-3 00

[info@phoenixcontact.com](mailto:info@phoenixcontact.com)