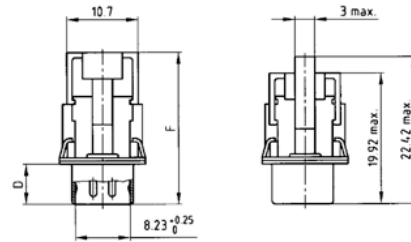
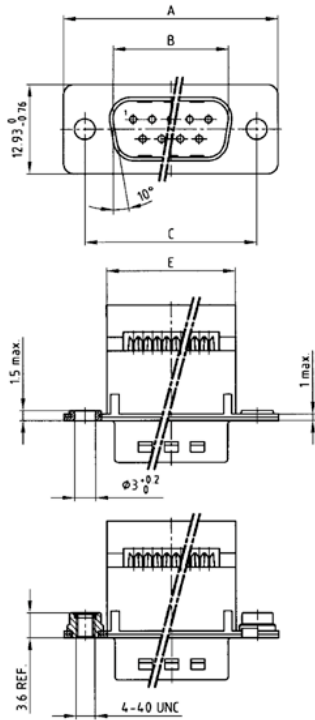


D-Subminiature connector for flat cable IDC plug connector (industrial version)

Directive 2002/95/EC
„RoHS“
Compliant



Dimension with upper part pre-pressed

Dimensions with upper part pressed and strain relief



No. of Pos.	A -0.76	B +0.25	C	D -0.3	E -0.1
9	31.19	16.79	25.00 ^{+0.12} _{-0.13}	6.12	18.73
15	39.52	25.12	33.30 ^{+0.15} _{-0.16}	6.12	26.86
25	53.42	38.84	47.04 ^{+0.13}	5.99	40.78
37	69.70	55.30	63.50 ^{+0.13}	5.99	57.04

Part Numbers

Kat 1 i O3B

No. of Pos.	Tin Plated With Ground Indent		
	Riveted	4-40 UNC	Strain Relief
9	161 A 13499 X	161 A 18259 X	160 X 10019 X
15	161 A 13509 X	161 A 18269 X	160 X 10029 X
25	161 A 13519 X	161 A 18279 X	160 X 10039 X
37	161 A 13529 X	161 A 18289 X	160 X 10049 X