

Device connector, front mounting - CA-16P1N122S00



1619964

<https://www.phoenixcontact.com/au/products/1619964>

Please be informed that the data shown in this PDF document is generated from our Online Catalog. Please find the complete data in the user documentation. Our General Terms of Use for Downloads are valid.



M23, Device connector, front mounting, CA, straight, shielded: yes, for standard and SPEEDCON interlock, No. of pos.: 16, Direction of rotation: Standard, type of contact: Pin, Solder connection, Flat gasket, 4x Ø 3.2, flange dimensions: 25 mm x 25 mm, coding:N

Your advantages

- Safe use in the field, thanks to high degree of protection
- Connector for flexible on-site assembly
- Consistent EMC protection for reliable transmission of signals
- Solder connection: proven connection technology for various litz wires

Device connector, front mounting - CA-16P1N122S00



1619964

<https://www.phoenixcontact.com/au/products/1619964>

Commercial Data

Item number	1619964
Packing unit	1 pc
Minimum order quantity	1 pc
Sales Key	ABRBFJ
Product Key	ABRBFJ
GTIN	4046356820189
Weight per Piece (including packing)	32 g
Weight per Piece (excluding packing)	28.3 g
Customs tariff number	85366990
Country of origin	DE

Device connector, front mounting - CA-16P1N122S00



1619964

<https://www.phoenixcontact.com/au/products/1619964>

Technical Data

Product properties

Product type	Circular connectors (device side)
--------------	-----------------------------------

Ambient conditions

Ambient temperature (operation)	-40 °C ... 125 °C
---------------------------------	-------------------

Connector

Insulating body

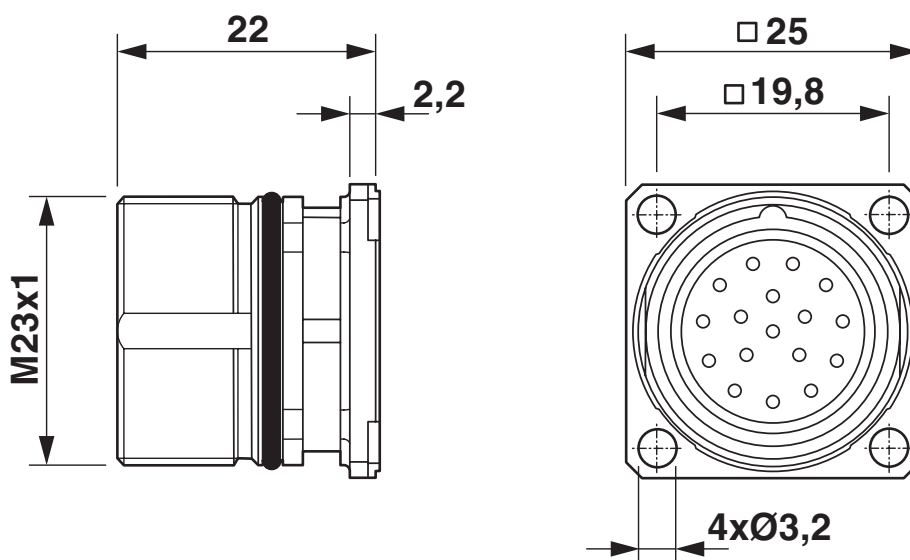
Coding	N
Material	PBT
Application	Signal
Number of positions	16
Contact type	Pin
Coding	N
Connection method	Solder connection
Connection profile	16
Insertion/withdrawal cycles	100
Direction of rotation	Standard
Contact material	CuZn
Contact surface material	Ni/Au
Rated voltage (III/3)	48 V AC
	48 V AC
Rated surge voltage (III/3)	1.5 kV
	1.5 kV

Housing

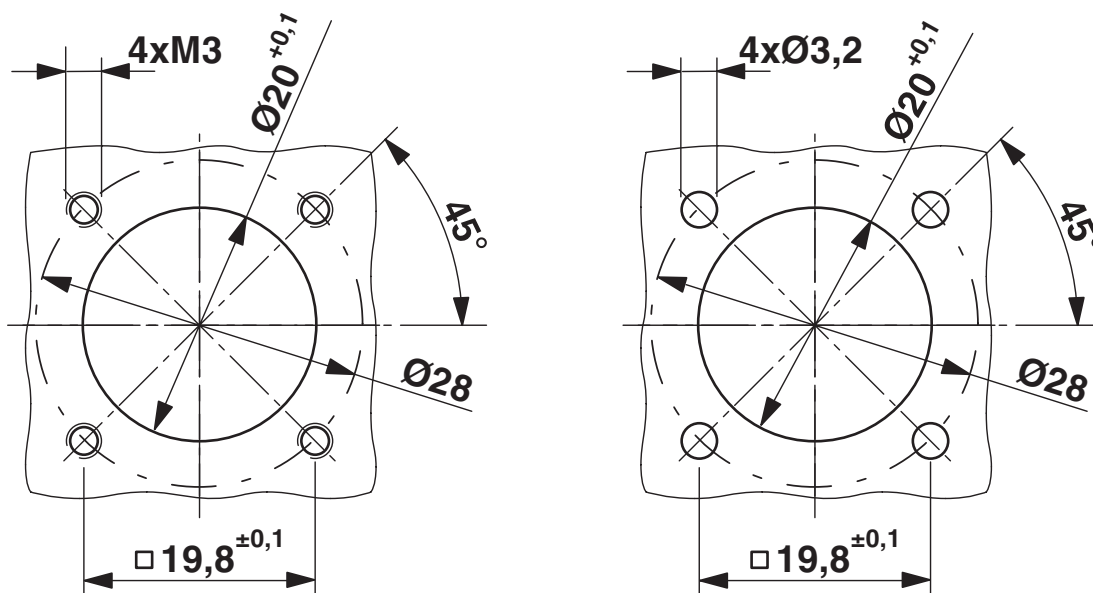
Type of locking	for standard and SPEEDCON interlock
Thread type	M23
Degree of protection	IP67
Housing material	GD-Zn

Drawings

Dimensional drawing



Dimensional drawing



Installation dimensions


Device connector, front mounting - CA-16P1N122S00



1619964

<https://www.phoenixcontact.com/au/products/1619964>

Approvals

 cUL Recognized Approval ID: E335019-20141210				
	Nominal Voltage U_N	Nominal Current I_N	Cross Section AWG	Cross Section mm^2
	48 V	5 A	- 18	-

 UL Recognized Approval ID: E335019-20141210				
	Nominal Voltage U_N	Nominal Current I_N	Cross Section AWG	Cross Section mm^2
	48 V	8 A	- 18	-

cULus Recognized

Device connector, front mounting - CA-16P1N122S00



1619964

<https://www.phoenixcontact.com/au/products/1619964>

Classifications

ECLASS

ECLASS-9.0	27440102
ECLASS-10.0.1	27440102
ECLASS-11.0	27440102

ETIM

ETIM 8.0	EC002635
----------	----------

UNSPSC

UNSPSC 21.0	39121400
-------------	----------

Device connector, front mounting - CA-16P1N122S00



1619964

<https://www.phoenixcontact.com/au/products/1619964>

Environmental Product Compliance

REACH SVHC	Lead 7439-92-1
China RoHS	Environmentally Friendly Use Period = 50 years
	For information on hazardous substances, refer to the manufacturer's declaration available under "Downloads"

1619964

<https://www.phoenixcontact.com/au/products/1619964>

Accessories

Protective cap

Protective cap - SF-Z0019 - 1607449

<https://www.phoenixcontact.com/au/products/1607449>



Plastic protection cap, with eye, IP40 for connectors with M23 external thread, RF, SF series

Protective cap

Protective cap - RC-Z2059 - 1604225

<https://www.phoenixcontact.com/au/products/1604225>



Plastic protection cap for connectors with M23 external thread

1619964

<https://www.phoenixcontact.com/au/products/1619964>

Plastic anti-static dust protection cap

Plastic anti-static dust protection cap - RC-Z2469 - 1611797

<https://www.phoenixcontact.com/au/products/1611797>



Plastic protection cap, antistatic, for RF, SF, CA, RC series connectors, with M23 external thread

Metal protective cap

Metal protective cap - RC-Z2104 - 1604260

<https://www.phoenixcontact.com/au/products/1604260>



Metal protection cap for signal connectors with M23 external thread

Device connector, front mounting - CA-16P1N122S00



1619964

<https://www.phoenixcontact.com/au/products/1619964>

Metal protective cap

Metal protective cap - RC-Z2068 - 1604236

<https://www.phoenixcontact.com/au/products/1604236>

Metal protection cap with steel wire for signal connectors with M23 external thread



Color-coding

Color-coding - CA-Z0120 - 1620704

<https://www.phoenixcontact.com/au/products/1620704>

Color-coding, color: green



Device connector, front mounting - CA-16P1N122S00



1619964

<https://www.phoenixcontact.com/au/products/1619964>

Color-coding

Color-coding - CA-Z0121 - 1620705

<https://www.phoenixcontact.com/au/products/1620705>

Color-coding, color: orange



Color-coding

Color-coding - CA-Z0122 - 1620706

<https://www.phoenixcontact.com/au/products/1620706>

Color-coding, color: black



Device connector, front mounting - CA-16P1N122S00



1619964

<https://www.phoenixcontact.com/au/products/1619964>

Contact removal tool

Contact removal tool - CA-Z0001 - 1620699

<https://www.phoenixcontact.com/au/products/1620699>



Unlocking tool for contact carriers for snapping in the M23 signal device connectors

Phoenix Contact 2022 © - all rights reserved

<https://www.phoenixcontact.com>

PHOENIX CONTACT PTY Ltd

Unit 7, 2-8 South Street

Rydalmere NSW 2116

1300 786 411

customerservice@phoenixcontact.com.au