

Device connector, front mounting - SL-7EPWN8AWA00

1615687

<https://www.phoenixcontact.com/au/products/1615687>

Please be informed that the data shown in this PDF document is generated from our Online Catalog. Please find the complete data in the user documentation. Our General Terms of Use for Downloads are valid.



Device connector, front mounting, straight, Screw locking, M58, number of positions: 4+3+PE, type of contact: Pin, Axial O-ring, 4x Ø 5,4, shielded: yes, flange dimensions: 60 mm x 60 mm, degree of protection: IP67, number of positions: 8, connection method: Crimp connection, series: SL

Your advantages

- Consistent EMC protection for reliable connection solutions in the industrial environment
- Crimping connection: vibration- and temperature-resistant assembly
- Reliable transmission of high electrical power

Device connector, front mounting - SL-7EPWN8AWA00



1615687

<https://www.phoenixcontact.com/au/products/1615687>

Commercial Data

Item number	1615687
Packing unit	1 pc
Minimum order quantity	1 pc
Sales Key	ABRCDF
Product Key	ABRCDF
Catalog Page	Page 174 (C-2-2019)
GTIN	4046356459761
Weight per Piece (including packing)	336.5 g
Weight per Piece (excluding packing)	324.4 g
Customs tariff number	85366990
Country of origin	DE

Device connector, front mounting - SL-7EPWN8AWA00



1615687

<https://www.phoenixcontact.com/au/products/1615687>

Technical Data

Notes

Order information:	Order crimp contacts 4 x Ø 1.6 mm, 4 x Ø 10 mm separately
--------------------	---

Safety note

Safety note	WARNING: The connectors may not be plugged in or disconnected under load. Ignoring the warning or improper use may damage persons and/or property.
	• WARNING: Commission properly functioning products only. The products must be regularly inspected for damage. Decommission defective products immediately. Replace damaged products. Repairs are not possible.
	• WARNING: Only electrically qualified personnel may install and operate the product. They must observe the following safety notes. The qualified personnel must be familiar with the basics of electrical engineering. They must be able to recognize and prevent danger. The relevant symbol on the packaging indicates that only personnel familiar with electrical engineering are allowed to install and operate the product.
	• The products are suitable for applications in plant, controller, and electrical device engineering.
	• When operating the connectors in outdoor applications, they must be separately protected against environmental influences.
	• Assembled products may not be manipulated or improperly opened.
	• Only use mating connectors that are specified in the technical data of the standards listed (e.g. the ones listed in the product accessories online at phoenixcontact.com/products).
	• When using the product in direct connection with third-party manufacturers, the user is responsible.
	• For operating voltages > 50 V AC, conductive connector housings must be grounded
	• Ensure that the protective or functional ground has been properly connected.
	• VDE 0100/1.97 § 411.1.3.2 and DIN EN 60 204/11.98 § 14.1.3 are applicable when combining several circuits in a cable and/or connector
	• Only use tools recommended by Phoenix Contact
	• The installation notes/Design In documents online on the download page at phoenixcontact.com/products must be observed for this product.
	• Operate the connector only when it is fully plugged in and interlocked.

Device connector, front mounting - SL-7EPWN8AWA00



1615687

<https://www.phoenixcontact.com/au/products/1615687>

warnings (e.g. DIN EN ISO 13732-1:2008-12).

Product properties

Product type	Circular connectors (device side)
Number of positions	8
Connection profile	4+3+PE
Application	Power
Locking type	Screw locking
Series	SL
Shielded	yes
Coding	N
Thread type	M58

Ambient conditions

Degree of protection	IP67
Ambient temperature (operation)	-40 °C ... 120 °C
Altitude	2000 m

Dimensions

Housing

Flange dimensions	60 mm x 60 mm
-------------------	---------------

Connector

Type	straight
------	----------

Electrical properties

Contact

Contact diameter	10 mm
Max. current	150 A
Nominal voltage U_N	630 V
Overvoltage category	III
Rated surge voltage	6 kV

Contact

Contact diameter	1.6 mm
Max. current	12 A
Nominal voltage U_N	250 V
Overvoltage category	III
Rated surge voltage	4 kV

Material specifications

Seal material	FPM
Housing material	Aluminum

Device connector, front mounting - SL-7EPWN8AWA00



1615687

<https://www.phoenixcontact.com/au/products/1615687>

Connection data

Conductor connection

Connection method	Crimp connection
-------------------	------------------

Mounting

Mounting	4x Ø 5,4
----------	----------

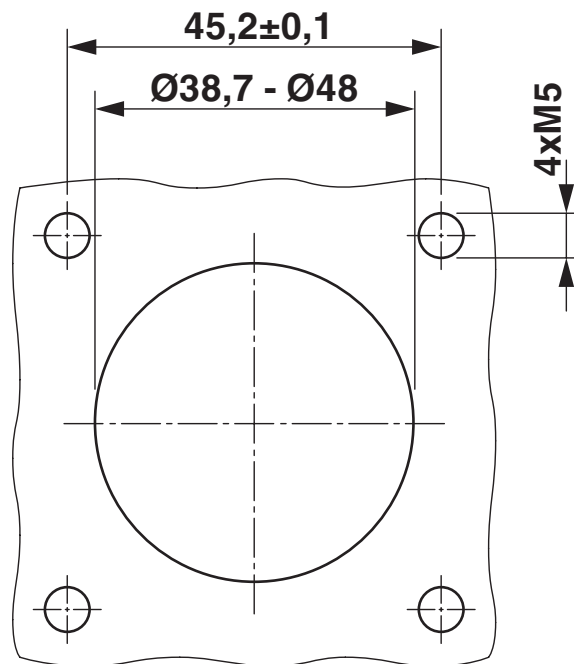
Device connector, front mounting - SL-7EPWN8AWA00

1615687

<https://www.phoenixcontact.com/au/products/1615687>

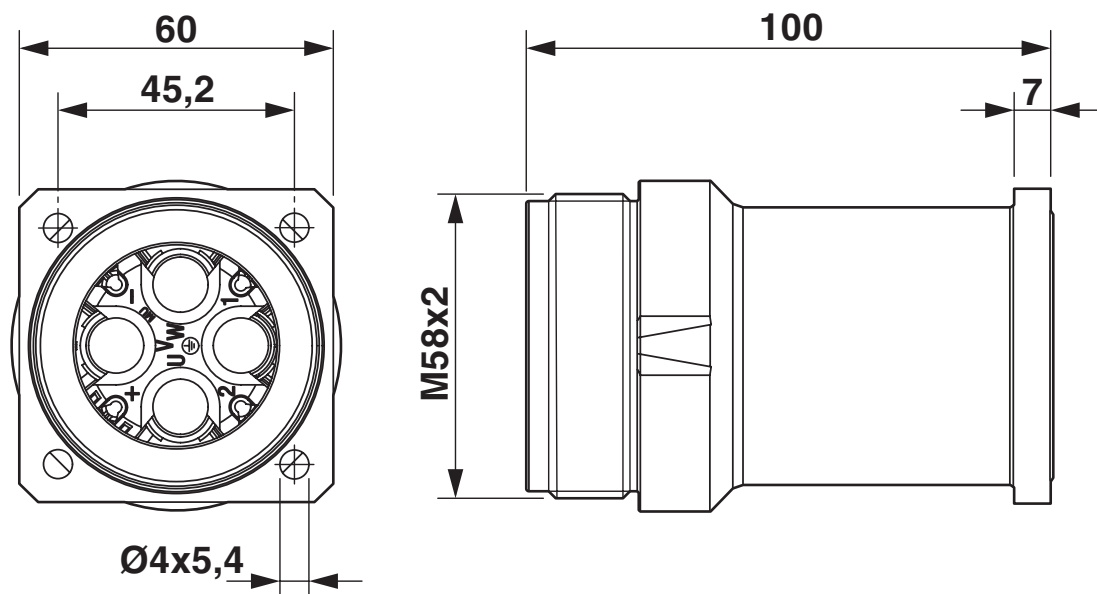
Drawings

Drilling plan/solder pad geometry



Installation dimensions

Dimensional drawing



Dimensional drawing

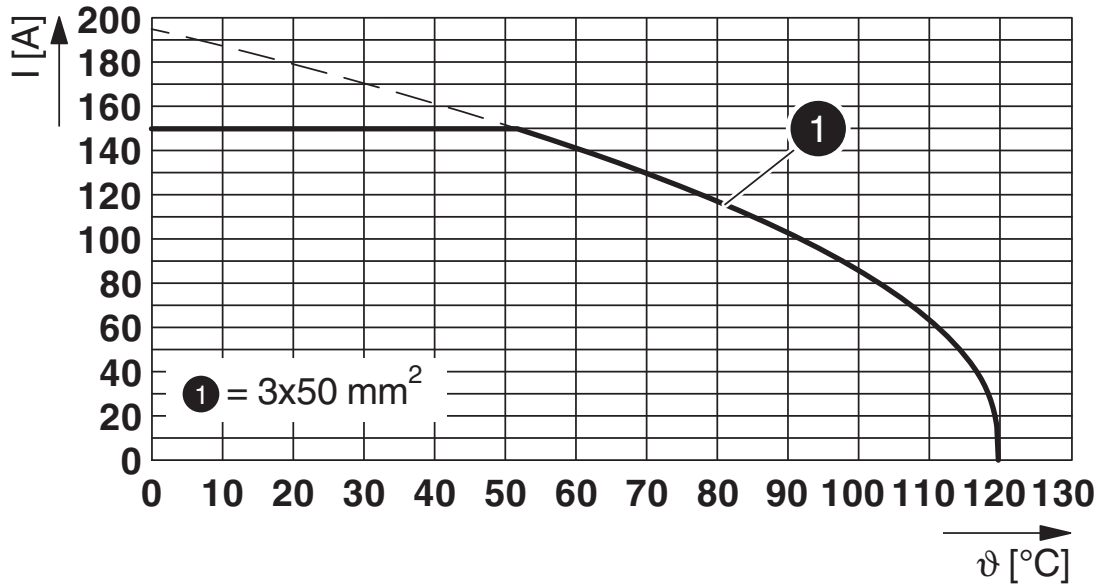
Device connector, front mounting - SL-7EPWN8AWA00



1615687

<https://www.phoenixcontact.com/au/products/1615687>

Diagram



I = current strength, T = ambient temperature

Device connector, front mounting - SL-7EPWN8AWA00



1615687

<https://www.phoenixcontact.com/au/products/1615687>

Approvals



EAC

Approval ID: B.01687

Device connector, front mounting - SL-7EPWN8AWA00



1615687

<https://www.phoenixcontact.com/au/products/1615687>

Classifications

ECLASS

ECLASS-9.0	27440102
ECLASS-10.0.1	27440102
ECLASS-11.0	27440102

ETIM

ETIM 8.0	EC002635
----------	----------

UNSPSC

UNSPSC 21.0	39121400
-------------	----------

Device connector, front mounting - SL-7EPWN8AWA00



1615687

<https://www.phoenixcontact.com/au/products/1615687>

Environmental Product Compliance

REACH SVHC	Lead 7439-92-1
China RoHS	Environmentally Friendly Use Period = 50 years
	For information on hazardous substances, refer to the manufacturer's declaration available under "Downloads"

Device connector, front mounting - SL-7EPWN8AWA00

1615687

<https://www.phoenixcontact.com/au/products/1615687>

Accessories

Crimp contact

Crimp contact - SL-1CKP010 - 1607911

<https://www.phoenixcontact.com/au/products/1607911>



Crimp contact, turned, contact diameter: 10 mm, crimp range: 10 mm² ... 10 mm²

Crimp contact

Crimp contact - SL-1CKP020 - 1607912

<https://www.phoenixcontact.com/au/products/1607912>



Crimp contact, turned, contact diameter: 10 mm, crimp range: 16 mm² ... 16 mm²

Device connector, front mounting - SL-7EPWN8AWA00

1615687

<https://www.phoenixcontact.com/au/products/1615687>

Crimp contact

Crimp contact - SL-1CKP030 - 1607913

<https://www.phoenixcontact.com/au/products/1607913>



Crimp contact, turned, contact diameter: 10 mm, crimp range: 25 mm² ... 25 mm²

Crimp contact

Crimp contact - SL-1CKP040 - 1607914

<https://www.phoenixcontact.com/au/products/1607914>



Crimp contact, turned, contact diameter: 10 mm, crimp range: 35 mm² ... 35 mm²

Device connector, front mounting - SL-7EPWN8AWA00

1615687

<https://www.phoenixcontact.com/au/products/1615687>

Crimp contact

Crimp contact - SL-1CKP050 - 1607915

<https://www.phoenixcontact.com/au/products/1607915>



Crimp contact, turned, contact diameter: 10 mm, crimp range: 50 mm² ... 50 mm²

Crimp contact

Crimp contact - SL-16KP010 - 1607909

<https://www.phoenixcontact.com/au/products/1607909>



Crimp contact, turned, contact diameter: 1.6 mm, crimp range: 0.75 mm² ... 1.5 mm²

Device connector, front mounting - SL-7EPWN8AWA00



1615687

<https://www.phoenixcontact.com/au/products/1615687>

Protective cap

Protective cap - SL-Z0005 - 1607926

<https://www.phoenixcontact.com/au/products/1607926>

Plastic protection cap for connectors with M58 external thread



Phoenix Contact 2022 © - all rights reserved

<https://www.phoenixcontact.com>

PHOENIX CONTACT PTY Ltd

Unit 7, 2-8 South Street

Rydalmere NSW 2116

1300 786 411

customerservice@phoenixcontact.com.au