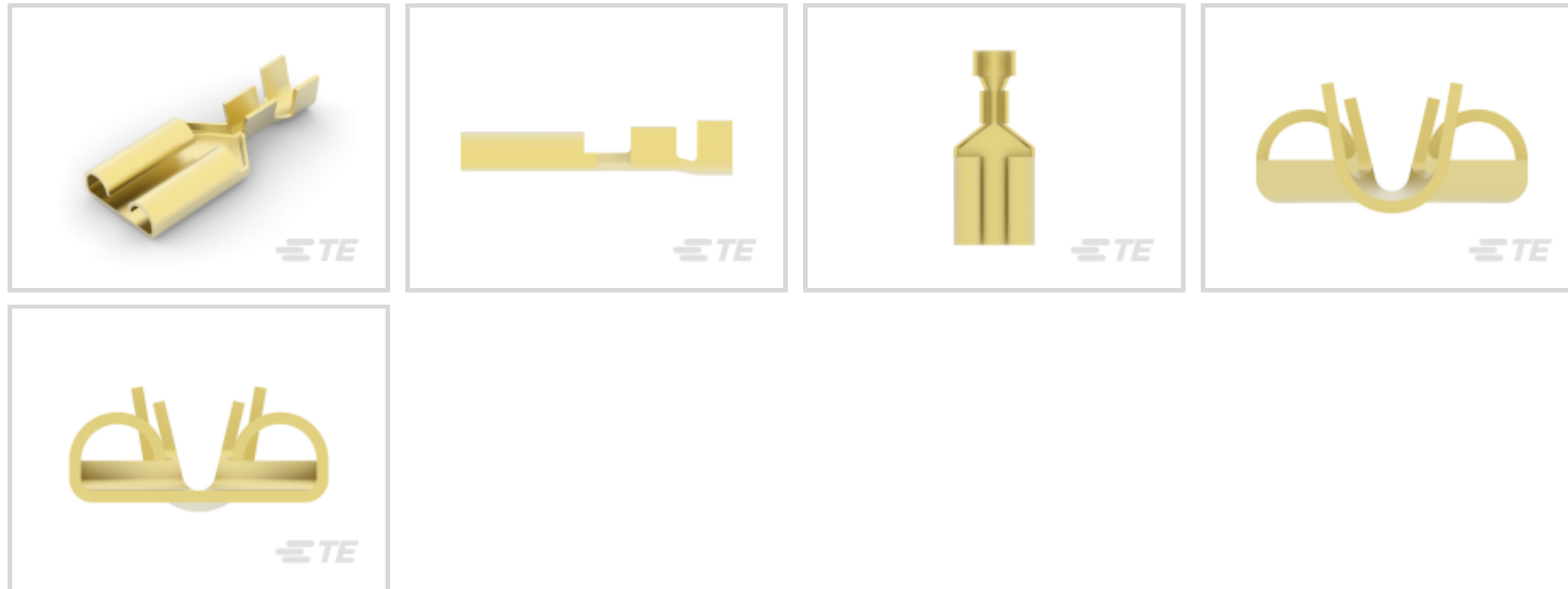




Terminals & Splices > Quick Disconnects



Quick Disconnect Terminal Type: **Receptacle**

Wire Size: **1.03 – 2.62 mm²**

Mating Tab Width: **9.53 mm [.375 in]**

Mating Tab Thickness: **1.22 mm [.048 in]**

Features

Product Type Features

Insertion Force	Low
-----------------	-----

Configuration Features

Connection Capacity	Single
Compatible With Wire & Cable Type	Discrete Wire

Contact Features

Quick Disconnect Terminal Type	Receptacle
Mating Tab Width	9.53 mm [.375 in]
Mating Tab Thickness	1.22 mm [.048 in]
Terminal Orientation	Straight
Contact Base Material	Brass
Terminal Plating Material	Unplated
Crimp Type	F-Crimp
Barrel Type	Open

Termination Features

--	--



Product Terminates To	Wire & Cable
-----------------------	--------------

Mechanical Attachment

Extraction Force	100 Newton
------------------	------------

Wire Insulation Support	With
-------------------------	------

Mating Retention Type	Dimple
-----------------------	--------

Dimensions

Terminal Material Thickness	.51 mm[.02 in]
-----------------------------	----------------

Product Length	28.4 mm[1.118 in]
----------------	-------------------

Compatible Insulation Diameter Range	2.4 – 3.7 mm[.094 – .146 in]
--------------------------------------	------------------------------

Wire Size	1.03 – 2.62 mm ²
-----------	-----------------------------

Usage Conditions

Insulation Option	Uninsulated
-------------------	-------------

Operating Temperature Range	-40 – 110 °C[-40 – 230 °F]
-----------------------------	----------------------------

Industry Standards

Compatible With Agency/Standards Products	CSA, UL
-------------------------------------------	---------

Packaging Features

Packaging Quantity	1800
--------------------	------

Packaging Method	Strip/Reel
------------------	------------

Product Compliance

[For compliance documentation, visit the product page on TE.com>](#)

EU RoHS Directive 2011/65/EU	Compliant
------------------------------	-----------

EU ELV Directive 2000/53/EC	Compliant
-----------------------------	-----------

China RoHS 2 Directive MIIT Order No 32, 2016	No Restricted Materials Above Threshold
-----------------------------------------------	-----------------------------------------

EU REACH Regulation (EC) No. 1907/2006	Current ECHA Candidate List: JUNE 2024 (241) Candidate List Declared Against: JUNE 2024 (241) Does not contain REACH SVHC
----------------------------------------	---------------------------------------------------------------------------------------------------------------------------------

Halogen Content	Low Halogen - Br, Cl, F, I < 900 ppm per homogenous material. Also BFR/CFR/PVC Free
-----------------	-------------------------------------------------------------------------------------

Solder Process Capability	Not applicable for solder process capability
---------------------------	----------------------------------------------

Product Compliance Disclaimer



This information is provided based on reasonable inquiry of our suppliers and represents our current actual knowledge based on the information they provided. This information is subject to change. The part numbers that TE has identified as EU RoHS compliant have a maximum concentration of 0.1% by weight in homogenous materials for lead, hexavalent chromium, mercury, PBB, PBDE, DBP, BBP, DEHP, DIBP, and 0.01% for cadmium, or qualify for an exemption to these limits as defined in the Annexes of Directive 2011/65/EU (RoHS2). Finished electrical and electronic equipment products will be CE marked as required by Directive 2011/65/EU. Components may not be CE marked. Additionally, the part numbers that TE has identified as EU ELV compliant have a maximum concentration of 0.1% by weight in homogenous materials for lead, hexavalent chromium, and mercury, and 0.01% for cadmium, or qualify for an exemption to these limits as defined in the Annexes of Directive 2000/53/EC (ELV). Regarding the REACH Regulation, the information TE provides on SVHC in articles for this part number is based on the latest European Chemicals Agency (ECHA) 'Guidance on requirements for substances in articles' posted at this URL: <https://echa.europa.eu/guidance-documents/guidance-on-reach>

Compatible Parts



TE Part # 154897-1
.375 FLAG FASTON RECPT.




TE Part # 154897-2
.375 FLAG FASTON RECPT.




TE Part # 5-160521-2
375 FASTON REC 12-10 AWG TPBR


Also in the Series | FASTON 375



Crimp Terminal Housings(2)



PCB Terminals(1)



Quick Disconnects(12)

Customers Also Bought



TE Part #DT04-12PA-CE01
REC, 12P, GRY, E, CAP, A



TE Part #368049-1
E-J MK-II(+) 16P PLUG DBL



TE Part #936059-1
2.8MM SLD 2P PLUG ASSY



TE Part #969044-1
SPT A REC 6.3 Contact SWS Sn



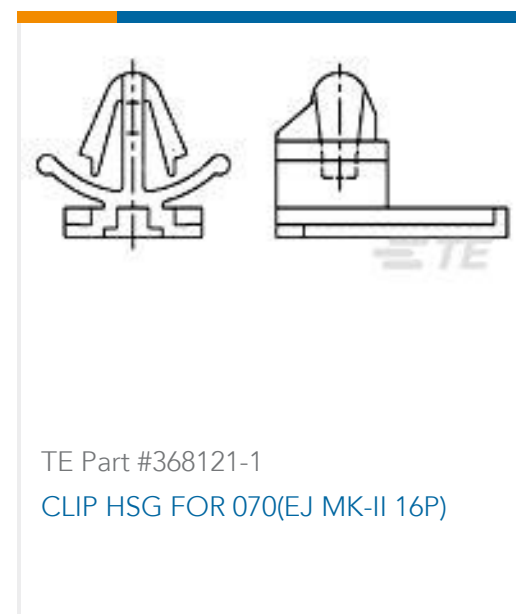
TE Part #1443997-2
BASE ASSEMBLY, 60 POSITION, BB



TE Part #1443996-4
COVER, 60 POS, W/O FUSE HLDR/NO
EXT TEXT



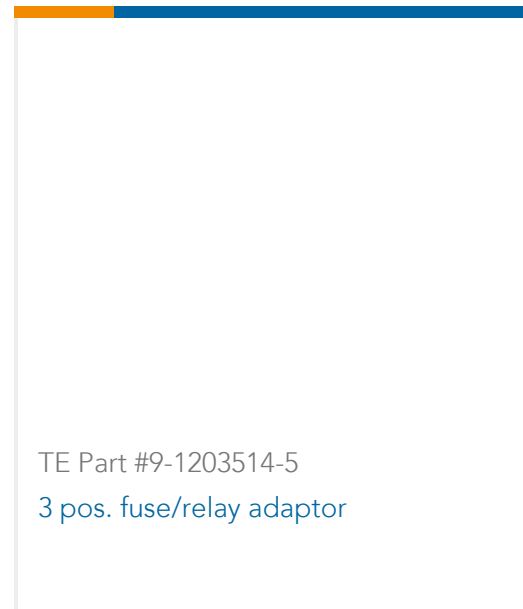
TE Part #174658-7
10 POS DL PLATE FOR CAP MKII+



TE Part #368121-1
CLIP HSG FOR 070(EJ MK-II 16P)



TE Part #2332444-1
DT04-3P-EP10-120,RECEPTACLE ASM-
BLACK



TE Part #9-1203514-5
3 pos. fuse/relay adaptor

Documents

Product Drawings

[FASTON 375 REC 1.0-2.5 MM2 0.5 X 27.0 BR](#)

CAD Files

Customer View Model

[ENG_CVM_CVM_160866-2_F.2d_dxf.zip](#)

English

3D PDF

3D

Customer View Model

[ENG_CVM_CVM_160866-2_F.3d_igs.zip](#)

English

Customer View Model

[ENG_CVM_CVM_160866-2_F.3d_stp.zip](#)

English

By downloading the CAD file I accept and agree to the [Terms and Conditions](#) of use.

Product Specifications

Title not available for initial StarTEC data load

English

[Application Specification](#)

English