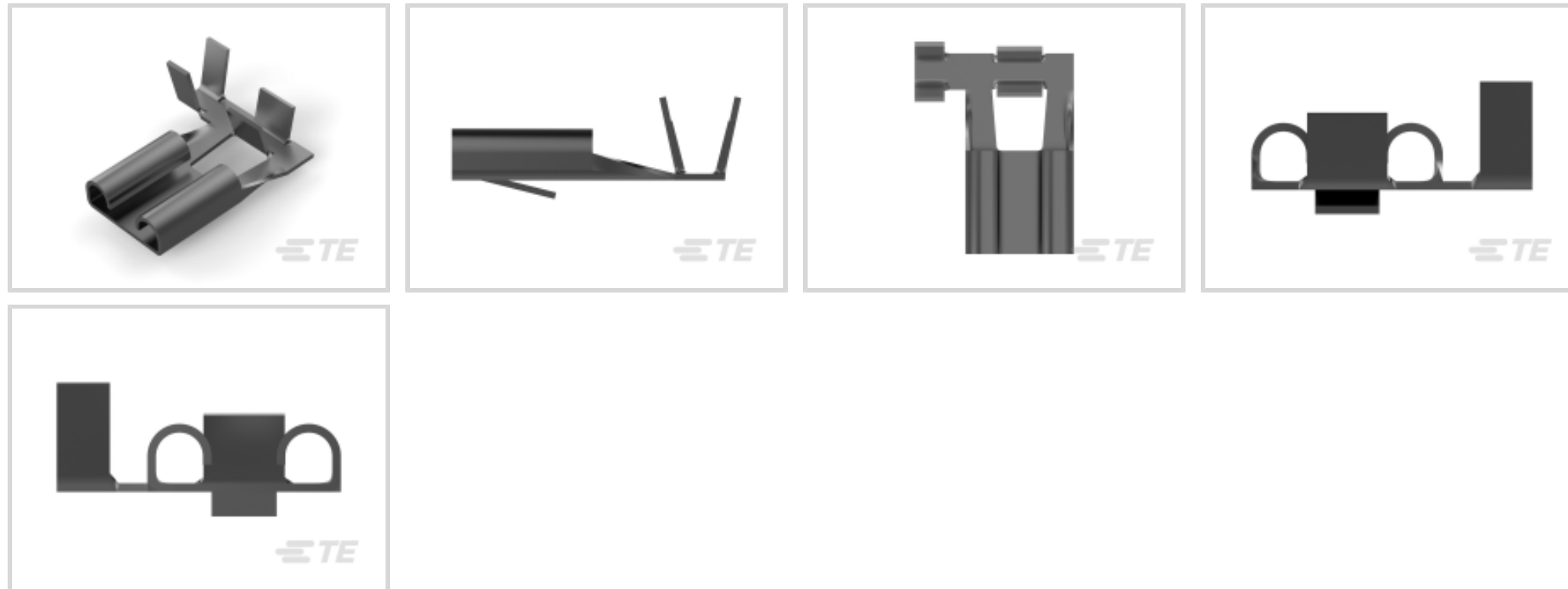




Terminals & Splices > Quick Disconnects



Quick Disconnect Terminal Type: **Receptacle**

Wire Size: **1.03 – 2.62 mm²**

Mating Tab Width: **7.92 mm [.312 in]**

Mating Tab Thickness: **.81 mm [.032 in]**

Features

Configuration Features

Connection Capacity	Single
Compatible With Wire & Cable Type	Discrete Wire

Contact Features

Quick Disconnect Terminal Type	Receptacle
Mating Tab Width	7.92 mm [.312 in]
Mating Tab Thickness	.81 mm [.032 in]
Terminal Orientation	Flag
Contact Base Material	Phosphor Bronze
Terminal Plating Material	Tin
Crimp Type	F-Crimp
Barrel Type	Open

Termination Features

Product Terminates To	Wire & Cable
-----------------------	--------------

Mechanical Attachment

--	--



Wire Insulation Support	With
Mating Retention Type	Dimple

Dimensions

Terminal Material Thickness	.41 mm[.016 in]
Product Length	16.8 mm[.661 in]
Compatible Insulation Diameter Range	2.1 – 3.1 mm[.083 – .118 in]
Wire Size	1.03 – 2.62 mm ²

Usage Conditions

Insulation Option	Uninsulated
Operating Temperature Range	-40 – 110 °C[-40 – 230 °F]

Industry Standards

Compatible With Agency/Standards Products	UL
-------------------------------------------	----

Packaging Features

Packaging Quantity	2500
Packaging Method	Strip/Reel

Product Compliance

[For compliance documentation, visit the product page on TE.com>](#)

EU RoHS Directive 2011/65/EU	Compliant
EU ELV Directive 2000/53/EC	Compliant
China RoHS 2 Directive MIIT Order No 32, 2016	No Restricted Materials Above Threshold
EU REACH Regulation (EC) No. 1907/2006	Current ECHA Candidate List: JUNE 2024 (241) Candidate List Declared Against: JAN 2024 (240) Does not contain REACH SVHC
Halogen Content	Low Halogen - Br, Cl, F, I < 900 ppm per homogenous material. Also BFR/CFR/PVC Free
Solder Process Capability	Not applicable for solder process capability

Product Compliance Disclaimer

This information is provided based on reasonable inquiry of our suppliers and represents our current actual knowledge based on the information they provided. This information is subject to change. The part numbers that TE has identified as EU RoHS compliant have a maximum concentration of 0.1% by weight in homogenous materials for lead, hexavalent chromium, mercury, PBB, PBDE, DBP, BBP, DEHP, DIBP, and 0.01% for cadmium, or qualify for an exemption to these limits as defined in the Annexes of Directive 2011/65/EU (RoHS2). Finished electrical and electronic equipment products will be CE marked as required by Directive 2011/65/EU. Components may not be CE marked. Additionally, the part



numbers that TE has identified as EU ELV compliant have a maximum concentration of 0.1% by weight in homogenous materials for lead, hexavalent chromium, and mercury, and 0.01% for cadmium, or qualify for an exemption to these limits as defined in the Annexes of Directive 2000/53/EC (ELV). Regarding the REACH Regulation, the information TE provides on SVHC in articles for this part number is based on the latest European Chemicals Agency (ECHA) 'Guidance on requirements for substances in articles' posted at this URL: <https://echa.europa.eu/guidance-documents/guidance-on-reach>

Compatible Parts



TE Part # 180464-5
250 FASTON,FLAG,REC.,14-17AWG, LATON



TE Part # 1-280050-2
250 FASTON,FLAG,REC.,16-20 AWG, TPBR



TE Part # 180464-2
250 FASTON,FLAG,REC.,14-17AWG, LATON



TE Part # 160916-4
250 FASTON,REC.,17-14 AWG,TPPB



TE Part # 100645-3
250 FASTON,FLAG,REC.,14-17AWG, PHBRZ



TE Part # 2-180464-4
250 FASTON,FLAG,REC.,14-17AWG, LATON



TE Part # 100605-7
250 FASTON,REC.,14-17AWG,TPS



TE Part # 1-100645-3
250 FASTON,REC.,14-17AWG, PHBZ

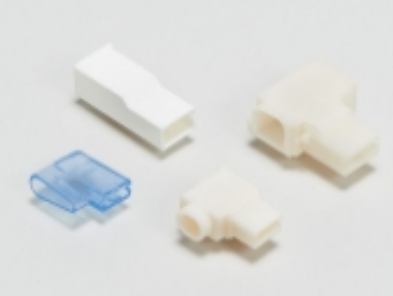


TE Part # 180397-2
250 FASTON,FLAG,REC.,17-14 AWG, TPBR




TE Part # 180397-5
250 FASTON,FLAG,REC.,17-14 AWG, TPPB


Also in the Series | FASTON 312



Crimp Terminal Housings(3)



PCB Terminals(1)



Quick Disconnects(8)

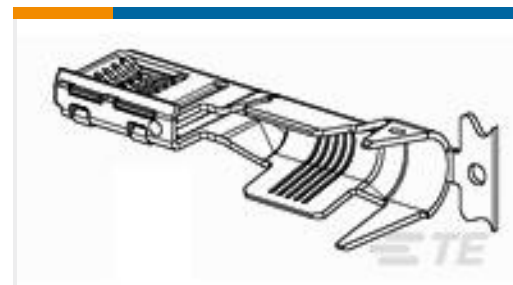
Customers Also Bought



TE Part #1-967623-1
Timer Connector Housing



TE Part #968072-2
PQ5,2 Sn rec LL unseal. >1,0-2,5



TE Part #1-1823034-1
MCON 9.5, 16SQMM ASSY 0,8MM
TAB



TE Part #281885-1
5MM PITCH TAB/RECPT CONTACT
TAB



TE Part #2177667-1
11POS,TAB 2.8X0.8,TAB HSG



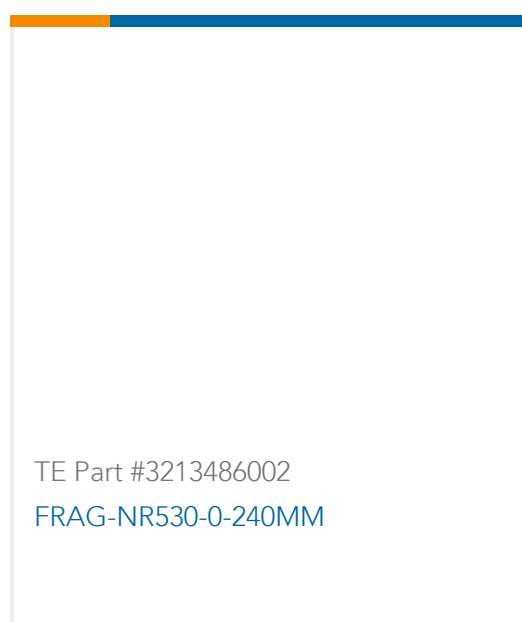
TE Part #7-2266256-1
OCEAN-2.0-APPLICATOR-S-071F096F



TE Part #2819646-1
DTP06-4S-CE02



TE Part #7-2836403-1
OCEAN_2.0_Applicator-S-094F110F



TE Part #3213486002
FRAG-NR530-0-240MM

Documents

Product Drawings

[FF FAH STECKH 8,0](#)

English

CAD Files

[3D PDF](#)

3D

Customer View Model

[ENG_CVM_CVM_160862-8_F.2d_dxf.zip](#)

English

Customer View Model

[ENG_CVM_CVM_160862-8_F.3d_igs.zip](#)

English

Customer View Model

[ENG_CVM_CVM_160862-8_F.3d_stp.zip](#)

English

By downloading the CAD file I accept and agree to the [Terms and Conditions](#) of use.