

Contact insert - VC-AMS 7



1607751

<https://www.phoenixcontact.com/pc/products/1607751>

Please be informed that the data shown in this PDF document is generated from our Online Catalog. Please find the complete data in the user documentation. Our General Terms of Use for Downloads are valid.



Contact insert, Range of articles: VARIOCON, Contact insert, design: VC4, housing material: PA, color: light grey, number of positions: 7, min. conductor cross section: 0.5 mm², max. conductor cross section: 16 mm², rated voltage: 690, rated current: 70 A, Connection method: Screw connection, Type of contact: Pin. Connectors may only be connected/disconnected when under no load.

Commercial Data

| | |
|--------------------------------------|--------------------------------|
| Item number | 1607751 |
| Packing unit | 5 pc |
| Minimum order quantity | 1 pc |
| Note | Made to Order (non-returnable) |
| Product Key | ABLACC |
| Catalog Page | Page 25 (C-2-2013) |
| GTIN | 4017918969219 |
| Weight per Piece (including packing) | 78.29 g |
| Weight per Piece (excluding packing) | 78.29 g |
| Customs tariff number | 85366990 |
| Country of origin | PL |

Technical Data

Notes

| | |
|-------------|--|
| General | Connectors may only be connected/disconnected when under no load. |
| Safety note | |
| Safety note | <p>WARNING: The connectors may not be plugged in or disconnected under load. Ignoring the warning or improper use may damage persons and/or property.</p> <ul style="list-style-type: none">• WARNING: Commission properly functioning products only. The products must be regularly inspected for damage. Decommission defective products immediately. Replace damaged products. Repairs are not possible.• WARNING: Only electrically qualified personnel may install and operate the product. They must observe the following safety notes. The qualified personnel must be familiar with the basics of electrical engineering. They must be able to recognize and prevent danger. The relevant symbol on the packaging indicates that only personnel familiar with electrical engineering are allowed to install and operate the product.• The products are suitable for applications in plant, controller, and electrical device engineering.• When operating the connectors in outdoor applications, they must be separately protected against environmental influences.• Assembled products may not be manipulated or improperly opened.• Only use mating connectors that are specified in the technical data of the standards listed (e.g. the ones listed in the product accessories online at phoenixcontact.com/products).• When using the product in direct connection with third-party manufacturers, the user is responsible.• For operating voltages > 50 V AC, conductive connector housings must be grounded• Ensure that the protective or functional ground has been properly connected.• VDE 0100/1.97 § 411.1.3.2 and DIN EN 60 204/11.98 § 14.1.3 are applicable when combining several circuits in a cable and/or connector• Observe the corresponding technical data. You will find information:<ul style="list-style-type: none">o On the producto On the packing labelo In the supplied documentationo Online at phoenixcontact.com/products under the product• Only use tools recommended by Phoenix Contact• The installation notes/Design In documents online on the download page at phoenixcontact.com/products must be observed for this product.• Use a protective cap to protect connectors that are not in use. The suitable accessories are available online in the accessory section of the product at phoenixcontact.com/products |

Contact insert - VC-AMS 7



1607751

<https://www.phoenixcontact.com/pc/products/1607751>

| | |
|--|--|
| | <ul style="list-style-type: none">• Ensure that when laying the cable, the tensile load on the connectors does not exceed the upper limit specified in the standards. |
| | <ul style="list-style-type: none">• Observe the minimum bending radius of the cable. Lay the cable without twisting it. |
| | <ul style="list-style-type: none">• The connector warms up in normal operation. Depending on the ambient conditions, the surface of the connector can continue to warm up. In this case, the user is responsible for posting warnings (e.g. DIN EN ISO 13732-1:2008-12). |

Product properties

| | |
|------------------------|----------------|
| Type | VC4 |
| Product type | Contact insert |
| Number of positions | 7 |
| Connection profile | 6+PE |
| Number of module slots | 5 |
| Series | VC-M |

Insulation characteristics

| | |
|---------------------|---|
| Degree of pollution | 3 |
|---------------------|---|

Electrical properties

| | |
|-------------------------------------|--------|
| Rated voltage (II/2) | 1000 V |
| Rated voltage (III/2) | 1000 V |
| Rated voltage (III/3) | 690 V |
| Rated voltage (III/3) | 690 V |
| Nominal voltage ATD | 690 |
| Rated surge voltage | 6 kV |
| Rated surge voltage (II/2) | 6 kV |
| Rated surge voltage (III/2) | 8 kV |
| Rated surge voltage (III/3) | 8 kV |
| Rated surge voltage | 6 kV |
| Rated current | 70 A |
| Rated current | 70 A |
| Rated current | 70 A |
| Contact resistance, inner conductor | ≤ |

Dimensions

| | |
|---------------------|---------|
| Dimensional drawing | |
| Width | 75 mm |
| Height | 33.6 mm |

Contact insert - VC-AMS 7



1607751

<https://www.phoenixcontact.com/pc/products/1607751>

| | |
|--------|---------|
| Length | 47.5 mm |
|--------|---------|

Material specifications

| | |
|--|--------------------|
| Color | light grey |
| Color of the housing part | gray |
| Material | Polyamide |
| Flammability rating according to UL 94 | V0 |
| Insulating material group | I |
| Contact material | E-Cu 58 |
| Contact surface material | hard-silver plated |
| Contact carrier material | PA |
| Material for screw connection | CuZn |
| Housing material | PA |

Cable / line

| | |
|---|--|
| Single wire, cross section | 0.5 mm ² 16 mm ² |
| Stripping length of the individual wire | 12 mm |
| Halogen-free | yes |

Mechanical properties

Mechanical data

| | |
|-----------------------------|------|
| Insertion/withdrawal cycles | ≥ 50 |
|-----------------------------|------|

Environmental and real-life conditions

Ambient conditions

| | |
|---------------------------------|-------------------|
| Ambient temperature (operation) | -40 °C ... 100 °C |
|---------------------------------|-------------------|

Contact insert - VC-AMS 7

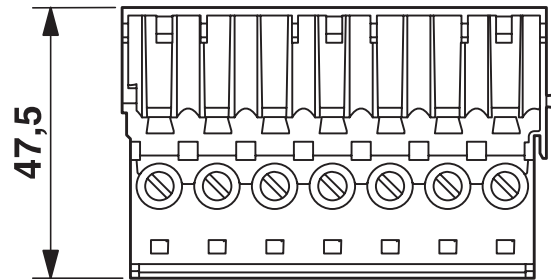
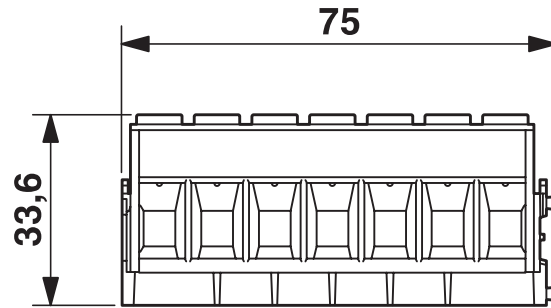
1607751

<https://www.phoenixcontact.com/pc/products/1607751>



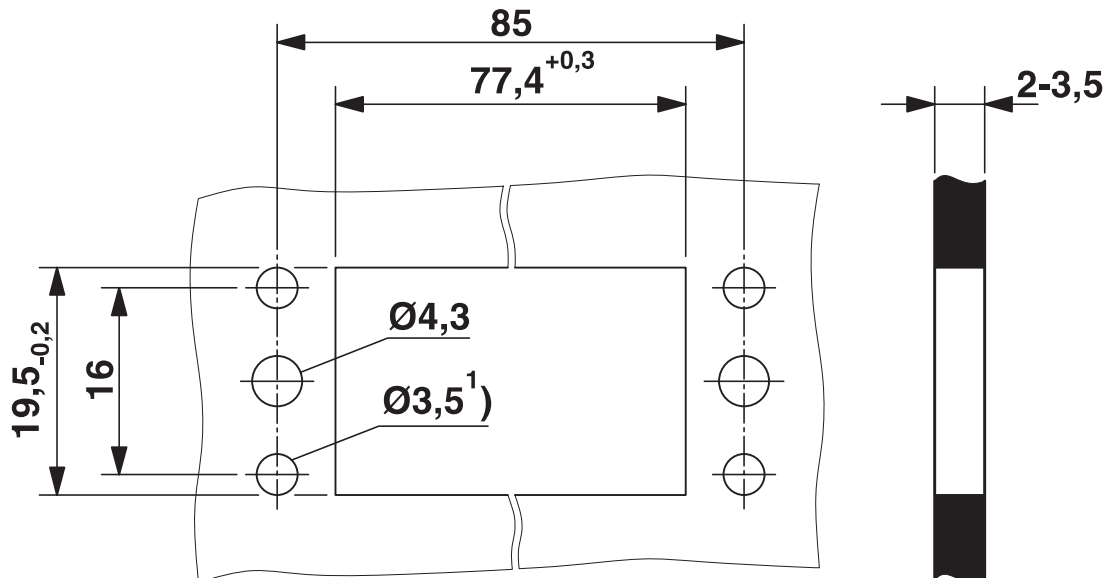
Drawings

Dimensional drawing



Contact insert

Dimensional drawing



Mounting cutout

Contact insert - VC-AMS 7



1607751

<https://www.phoenixcontact.com/pc/products/1607751>

Approvals



cUL Recognized

Approval ID: FILE E 118976

| | Nominal Voltage U_N | Nominal Current I_N | Cross Section AWG | Cross Section mm^2 |
|--|-----------------------|-----------------------|-------------------|-----------------------------|
| | 600 V | 45 A | 20 - 6 | - |



UL Recognized

Approval ID: FILE E 118976

| | Nominal Voltage U_N | Nominal Current I_N | Cross Section AWG | Cross Section mm^2 |
|--|-----------------------|-----------------------|-------------------|-----------------------------|
| | 600 V | 55 A | 20 - 6 | - |



EAC

Approval ID: B.01687

cULus Recognized

Contact insert - VC-AMS 7

1607751

<https://www.phoenixcontact.com/pc/products/1607751>



Classifications

ECLASS

| | |
|---------------|----------|
| ECLASS-9.0 | 27440205 |
| ECLASS-10.0.1 | 27440205 |
| ECLASS-11.0 | 27440223 |

ETIM

| | |
|----------|----------|
| ETIM 8.0 | EC003557 |
|----------|----------|

UNSPSC

| | |
|-------------|----------|
| UNSPSC 21.0 | 39121400 |
|-------------|----------|

Contact insert - VC-AMS 7

1607751

<https://www.phoenixcontact.com/pc/products/1607751>



Environmental Product Compliance

China RoHS

Environmentally friendly use period: unlimited = EFUP-e

No hazardous substances above threshold values