

Device connector, front mounting - ST-3EP1N8AW400S

1607674

<https://www.phoenixcontact.com/au/products/1607674>

Please be informed that the data shown in this PDF document is generated from our Online Catalog. Please find the complete data in the user documentation. Our General Terms of Use for Downloads are valid.



Device connector, front mounting, straight, for standard and SPEEDCON interlock, M17, number of positions: 3+PE, type of contact: Pin, shielded: yes, flange dimensions: 21.6 mm x 21.6 mm, degree of protection: IP67, number of positions: 4, connection method: Crimp connection, series: ST

Your advantages

- Consistent EMC protection for reliable connection solutions in the industrial environment
- Crimping connection: vibration- and temperature-resistant assembly
- Flexible mounting, thanks to snap-in contact inserts

Device connector, front mounting - ST-3EP1N8AW400S



1607674

<https://www.phoenixcontact.com/au/products/1607674>

Commercial Data

Item number	1607674
Packing unit	1 pc
Minimum order quantity	1 pc
Sales Key	ABRCAJ
Product Key	ABRCAJ
Catalog Page	Page 135 (C-2-2019)
GTIN	4046356273817
Weight per Piece (including packing)	40.5 g
Weight per Piece (excluding packing)	26.7 g
Customs tariff number	85366990
Country of origin	CN

Device connector, front mounting - ST-3EP1N8AW400S



1607674

<https://www.phoenixcontact.com/au/products/1607674>

Technical Data

Notes

Order information:	Order crimp contacts Ø 2 mm separately
--------------------	--

Safety note

Safety note	<p>WARNING: The connectors may not be plugged in or disconnected under load. Ignoring the warning or improper use may damage persons and/or property.</p>
	<ul style="list-style-type: none">• WARNING: Commission properly functioning products only. The products must be regularly inspected for damage. Decommission defective products immediately. Replace damaged products. Repairs are not possible.
	<ul style="list-style-type: none">• WARNING: Only electrically qualified personnel may install and operate the product. They must observe the following safety notes. The qualified personnel must be familiar with the basics of electrical engineering. They must be able to recognize and prevent danger. The relevant symbol on the packaging indicates that only personnel familiar with electrical engineering are allowed to install and operate the product.
	<ul style="list-style-type: none">• The products are suitable for applications in plant, controller, and electrical device engineering.
	<ul style="list-style-type: none">• When operating the connectors in outdoor applications, they must be separately protected against environmental influences.
	<ul style="list-style-type: none">• Assembled products may not be manipulated or improperly opened.
	<ul style="list-style-type: none">• Only use mating connectors that are specified in the technical data of the standards listed (e.g. the ones listed in the product accessories online at phoenixcontact.com/products).
	<ul style="list-style-type: none">• When using the product in direct connection with third-party manufacturers, the user is responsible.
	<ul style="list-style-type: none">• For operating voltages > 50 V AC, conductive connector housings must be grounded
	<ul style="list-style-type: none">• Ensure that the protective or functional ground has been properly connected.
	<ul style="list-style-type: none">• VDE 0100/1.97 § 411.1.3.2 and DIN EN 60 204/11.98 § 14.1.3 are applicable when combining several circuits in a cable and/or connector
	<ul style="list-style-type: none">• Only use tools recommended by Phoenix Contact
	<ul style="list-style-type: none">• The installation notes/Design In documents online on the download page at phoenixcontact.com/products must be observed for this product.
	<ul style="list-style-type: none">• Operate the connector only when it is fully plugged in and interlocked.
<ul style="list-style-type: none">• Ensure that when laying the cable, the tensile load on the connectors does not exceed the upper limit specified in the standards.	
<ul style="list-style-type: none">• Observe the minimum bending radius of the cable. Lay the cable without twisting it.	
<ul style="list-style-type: none">• The connector warms up in normal operation. Depending on the ambient conditions, the surface of the connector can continue to warm up. In this case, the user is responsible for posting	

Device connector, front mounting - ST-3EP1N8AW400S



1607674

<https://www.phoenixcontact.com/au/products/1607674>

warnings (e.g. DIN EN ISO 13732-1:2008-12).

Product properties

Product type	Circular connectors (device side)
Number of positions	4
Connection profile	3+PE
Application	Power
Locking type	for standard and SPEEDCON interlock
Series	ST
Shielded	yes
Coding	N
Thread type	M17

Ambient conditions

Degree of protection	IP67
Ambient temperature (operation)	-40 °C ... 125 °C
Altitude	3000 m

Dimensions

Housing

Flange dimensions	21.6 mm x 21.6 mm
-------------------	-------------------

Connector

Type	straight
Direction of rotation	Standard

Electrical properties

Contact

Contact diameter	2 mm
Max. current	25 A
Nominal voltage U_N	630 V
Overvoltage category	III
Rated surge voltage	6 kV

Contact

Contact diameter	2 mm
------------------	------

Material specifications

Seal material	FPM
Housing material	Metal

Connection data

Conductor connection

Connection method	Crimp connection
-------------------	------------------

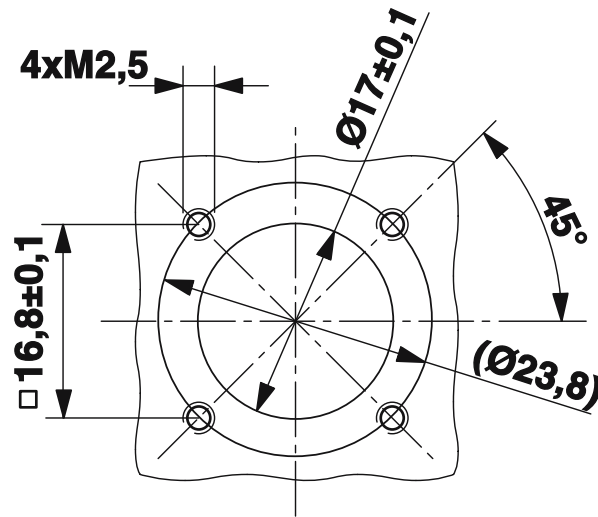
Device connector, front mounting - ST-3EP1N8AW400S

1607674

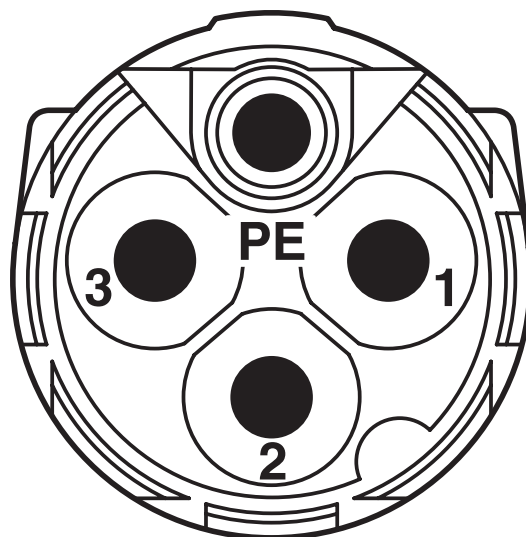
<https://www.phoenixcontact.com/au/products/1607674>

Drawings

Dimensional drawing



Schematic diagram



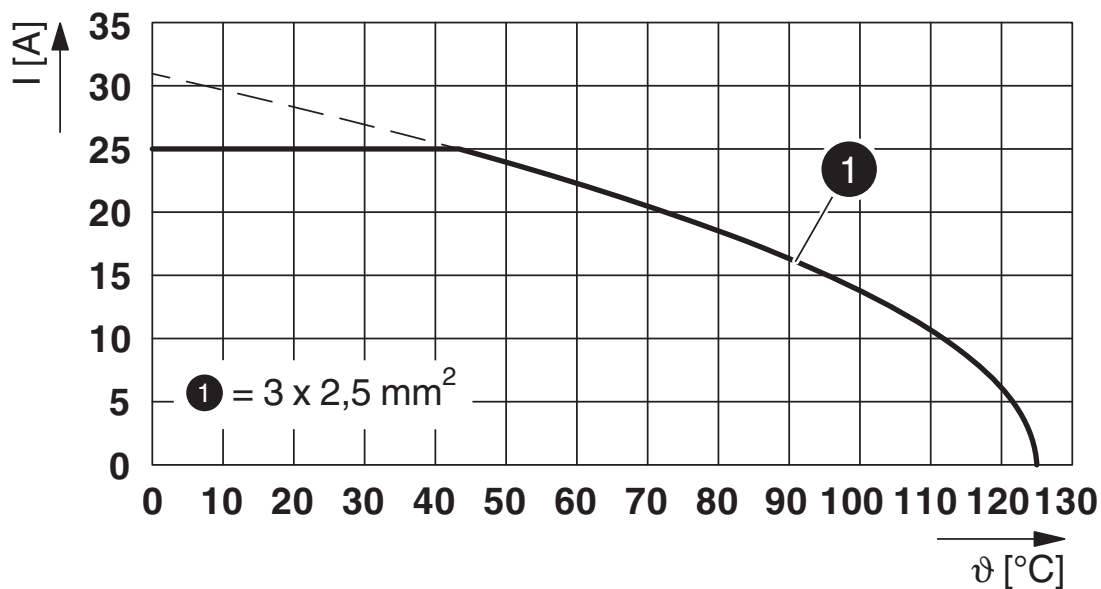
Connector pin assignment

Device connector, front mounting - ST-3EP1N8AW400S

1607674

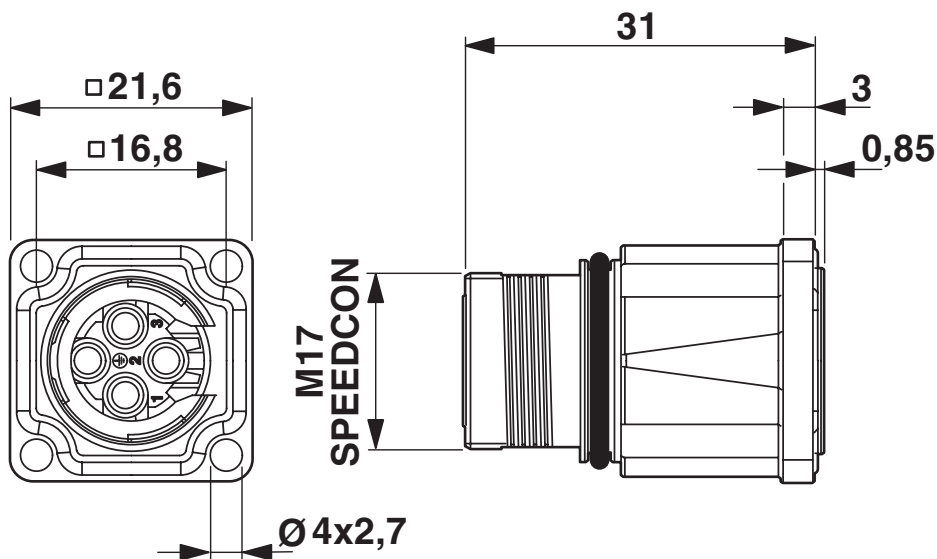
<https://www.phoenixcontact.com/au/products/1607674>

Diagram



I = current strength, ϑ = ambient temperature, 3x 25 A

Dimensional drawing



Device connector, front mounting - ST-3EP1N8AW400S



1607674

<https://www.phoenixcontact.com/au/products/1607674>

Approvals



cUL Recognized
Approval ID: FILE E 335019



UL Recognized
Approval ID: FILE E 335019



EAC
Approval ID: B.01687



UL Listed
Approval ID: E468743-20210825

	Nominal Voltage U_N	Nominal Current I_N	Cross Section AWG	Cross Section mm^2
Power	600 V	20 A	-	- 14



cUL Listed
Approval ID: E468743-20210825

	Nominal Voltage U_N	Nominal Current I_N	Cross Section AWG	Cross Section mm^2
Power	600 V	18 A	- 14	-



UL Recognized
Approval ID: E153698-20140124



cUL Recognized
Approval ID: E153698-20140124

cULus Listed

Device connector, front mounting - ST-3EP1N8AW400S



1607674

<https://www.phoenixcontact.com/au/products/1607674>

Classifications

ECLASS

ECLASS-9.0	27440102
ECLASS-10.0.1	27440102
ECLASS-11.0	27440102

ETIM

ETIM 8.0	EC002635
----------	----------

UNSPSC

UNSPSC 21.0	39121400
-------------	----------

Device connector, front mounting - ST-3EP1N8AW400S



1607674

<https://www.phoenixcontact.com/au/products/1607674>

Environmental Product Compliance

China RoHS	Environmentally friendly use period: unlimited = EFUP-e
	No hazardous substances above threshold values

Device connector, front mounting - ST-3EP1N8AW400S

1607674

<https://www.phoenixcontact.com/au/products/1607674>

Accessories

Contact removal tool

Contact removal tool - ST-Z0001 - 1607770

<https://www.phoenixcontact.com/au/products/1607770>



Unlocking tool for contact carriers for snapping in the M17 device connectors

Crimp contact

Crimp contact - ST-20KP010 - 1607655

<https://www.phoenixcontact.com/au/products/1607655>



Crimp contact, turned, contact diameter: 2 mm, crimp range: 0.25 mm² ... 1 mm²

Device connector, front mounting - ST-3EP1N8AW400S

1607674

<https://www.phoenixcontact.com/au/products/1607674>

Crimp contact

Crimp contact - ST-20KP020 - 1607656

<https://www.phoenixcontact.com/au/products/1607656>



Crimp contact, turned, Single contact, contact diameter: 2 mm, crimp range: 1 mm² ... 2.5 mm²

Protective cap

Protective cap - ST-Z0006 - 1607776

<https://www.phoenixcontact.com/au/products/1607776>



Plastic protection cap for connectors with M17 external thread

Device connector, front mounting - ST-3EP1N8AW400S

1607674

<https://www.phoenixcontact.com/au/products/1607674>

Color-coding

Color-coding - ST-Z0019 - 1620621

<https://www.phoenixcontact.com/au/products/1620621>

Color-coding, color: green



Color-coding

Color-coding - ST-Z0020 - 1620622

<https://www.phoenixcontact.com/au/products/1620622>

Color-coding, color: orange



Device connector, front mounting - ST-3EP1N8AW400S

1607674

<https://www.phoenixcontact.com/au/products/1607674>

Color-coding

Color-coding - ST-Z0021 - 1620623

<https://www.phoenixcontact.com/au/products/1620623>

Color-coding, color: black



Metal protective cap

Metal protective cap - ST-Z0014 - 1616069

<https://www.phoenixcontact.com/au/products/1616069>

Metal protection cap for connectors with M17 external thread



Device connector, front mounting - ST-3EP1N8AW400S



1607674

<https://www.phoenixcontact.com/au/products/1607674>

Metal protective cap

Metal protective cap - ST-Z0013 - 1616068

<https://www.phoenixcontact.com/au/products/1616068>

Metal protection cap with steel wire for connectors with M17 external thread



Phoenix Contact 2022 © - all rights reserved

<https://www.phoenixcontact.com>

PHOENIX CONTACT PTY Ltd

Unit 7, 2-8 South Street

Rydalmere NSW 2116

1300 786 411

customerservice@phoenixcontact.com.au