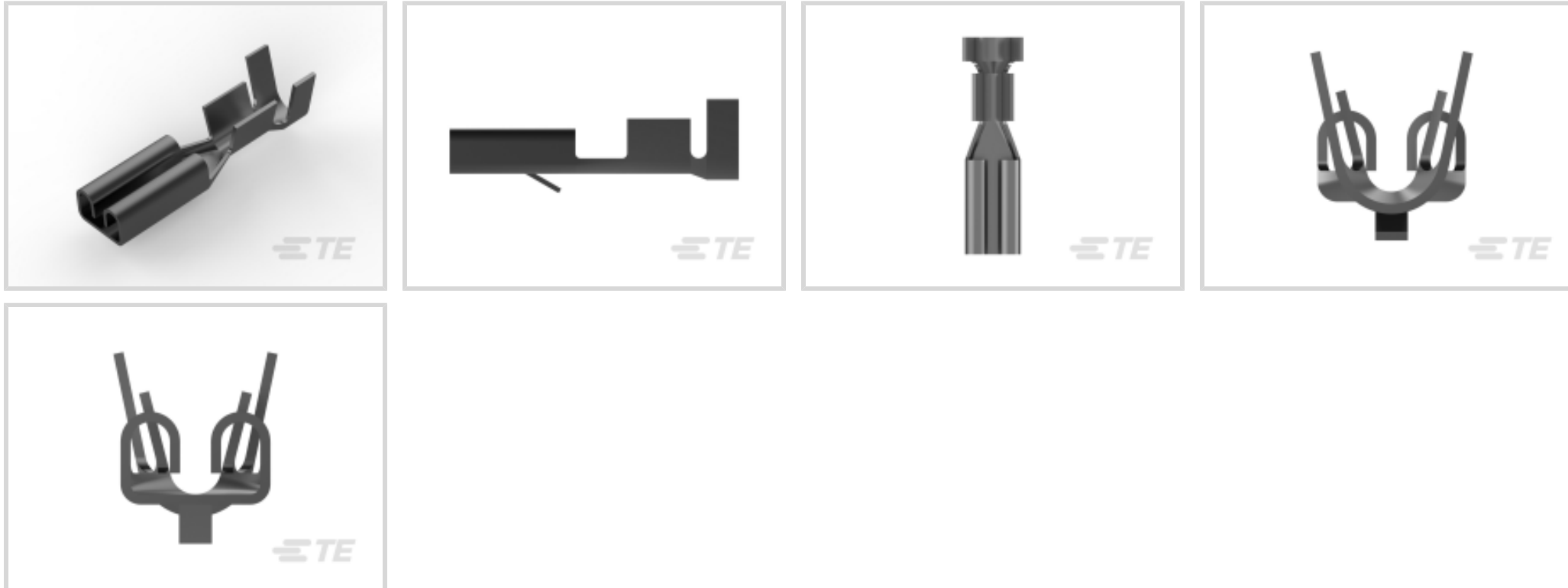




Terminals & Splices > Quick Disconnects



Quick Disconnect Terminal Type: **Receptacle**

Wire Size: **.51 – 1.03 mm<sup>2</sup>**

Mating Tab Width: **2.8 mm [.11 in]**

Mating Tab Thickness: **.51 mm [.02 in]**

## Features

### Product Type Features

Terminates To	Wire & Cable
Wire Stop	No
Wire/Cable Type	Discrete Wire
Insertion Force	Normal
Sealable	No

### Configuration Features

Connection Capacity	Single
---------------------	--------

### Contact Features

Quick Disconnect Terminal Type	Receptacle
Mating Tab Width	2.8 mm [.11 in]
Mating Tab Thickness	.51 mm [.02 in]
Terminal Orientation	Straight
Contact Base Material	Brass
Terminal Plating Material	Pre-Tin
Crimp Type	F-Crimp



Barrel Type	Open
-------------	------

### Mechanical Attachment

Mating Retention Type	Locking Lance
Locking Lance Height	.95 mm
Wire Insulation Support	With

### Dimensions

Accepts Wire Insulation Diameter Range	2.01 – 3 mm [.079 – .118 in]
Overall Length	14 mm [.551 in]
Receptacle Terminal Stock Thickness	.25 mm [.01 in]
Wire Size	.51 – 1.03 mm <sup>2</sup>

### Usage Conditions

Insulation Option	Uninsulated
Operating Temperature Range	-40 – 110 °C [-40 – 230 °F]

### Packaging Features

Packaging Quantity	10000
Packaging Method	Strip/Reel

### Other

Comment	According to DIN 46340, Part 1
---------	--------------------------------

## Product Compliance

[For compliance documentation, visit the product page on TE.com>](#)

EU RoHS Directive 2011/65/EU	Compliant
EU ELV Directive 2000/53/EC	Compliant
China RoHS 2 Directive MIIT Order No 32, 2016	No Restricted Materials Above Threshold
EU REACH Regulation (EC) No. 1907/2006	Current ECHA Candidate List: JAN 2023 (233) Candidate List Declared Against: JAN 2023 (233) Does not contain REACH SVHC
Halogen Content	Low Halogen - Br, Cl, F, I < 900 ppm per homogenous material. Also BFR/CFR/PVC Free
Solder Process Capability	Not applicable for solder process capability

This information is provided based on reasonable inquiry of our suppliers and represents our current actual knowledge based on the information they provided. This information is subject to change. The part numbers that TE has identified as EU RoHS compliant have a maximum concentration of 0.1% by weight in homogenous materials for lead, hexavalent chromium, mercury, PBB, PBDE, DBP, BBP, DEHP, DIBP, and 0.01% for cadmium, or qualify for an exemption to these limits as defined in the Annexes of Directive 2011/65/EU (RoHS2). Finished electrical and electronic equipment products will be CE marked as required by Directive 2011/65/EU. Components may not be CE marked. Additionally, the part numbers that TE has identified as EU ELV compliant have a maximum concentration of 0.1% by weight in homogenous materials for lead, hexavalent chromium, and mercury, and 0.01% for cadmium, or qualify for an exemption to these limits as defined in the Annexes of Directive 2000/53/EC (ELV). Regarding the REACH Regulation, the information TE provides on SVHC in articles for this part number is based on the latest European Chemicals Agency (ECHA) 'Guidance on requirements for substances in articles' posted at this URL: <https://echa.europa.eu/guidance-documents/guidance-on-reach>

## Compatible Parts



TE Part # 2150017-1  
OCEAN\_2.0\_Applicator-E-070F130F



**KIT**  
TE Part # 7-2150017-7  
OCEAN\_2.0\_SPARE\_PART\_KIT-070F130F



TE Part # 880634-5  
FF 110 REC 0.5-1.0 MM2 0.25 X 12.3 PTPBR



TE Part # 2-2150017-1  
OCEAN\_2.0\_Applicator-E-070F130F



TE Part # 2-2150017-2  
OCEAN\_2.0\_Applicator-E-070F130F



TE Part # 2150017-2  
OCEAN\_2.0\_Applicator-E-070F130F



TE Part # 444406-1  
REC. 110 SERIES FATIN-ON



TE Part # 63580-1  
FF 125 REC 22-18AWG TPBR



TE Part # 7-2150017-1  
OCEAN\_2.0\_Applicator-E-070F130F



TE Part # 7-2150017-2  
OCEAN\_2.0\_Applicator-E-070F130F



TE Part # 737255-5  
FF 110 REC 0.5-1.0MM2 TPBR



TE Part # 880634-1  
FF 110 REC 0.5-1.0 MM2 0.25X12.3 BR

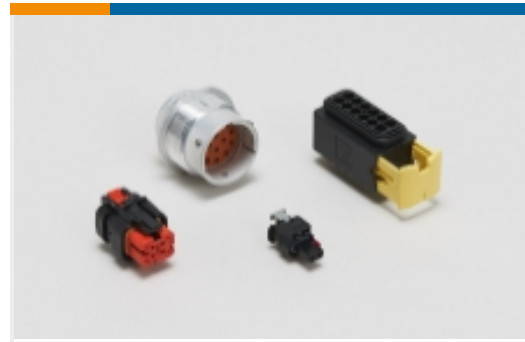


TE Part # 881799-2  
FASTIN ON .110 REC



TE Part # 881799-3  
.110 SER. FASTIN-ON

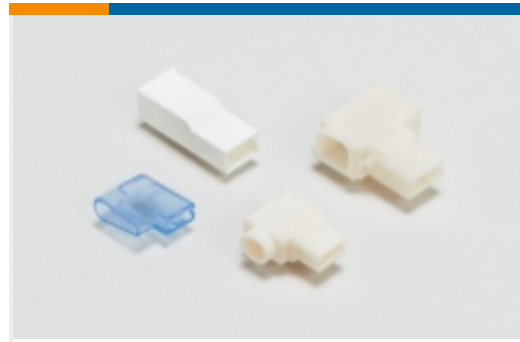
## Also in the Series | FASTIN-FASTON 110



Automotive Housings(6)



Automotive Terminals(5)



Crimp Terminal Housings(34)



Insertion & Extraction Tools(3)



Quick Disconnects(83)

## Customers Also Bought



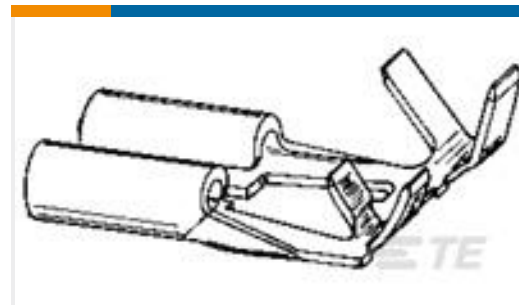
TE Part #2-34151-1  
PG R 22-16 COMM 22-18 MIL 5/16



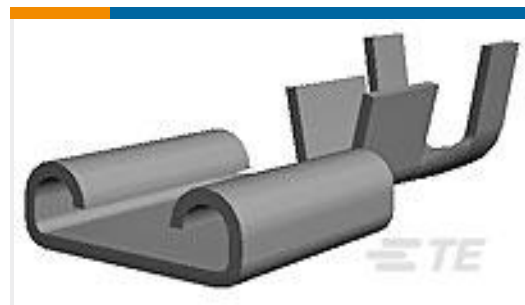
TE Part #42168-2  
SPRING SPADE TERMINAL 18-14 AWG TPBR



TE Part #1-770904-1  
MINI UMNL SOK 22-18AWG AU LF



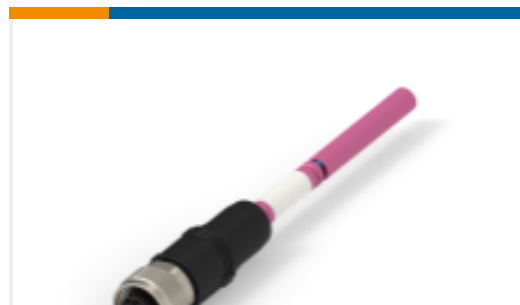
TE Part #180453-2  
FF 312 REC 1-2.5MM2 TPBR



TE Part #170179-2  
205 FASTON,REC.,18-14 AWG,TPBR



TE Part #964310-1  
TAB A 5.8x0.8 CONTACT CF SWS Sn



TE Part #TAA753A5501-020  
M12A5-FS-PUR-2.0M



TE Part #2-380935-0  
MR SPLT GROMET .437 DIA BLK LF



TE Part #3-1415419-5  
0419 11 0301 00



TE Part #53832-1  
SOLIS SP SPD22-16COM22-18MIL10



## Documents

### Product Drawings

[FF 110 REC 0.5-1.0MM2 TPBR](#)

English

---

### CAD Files

[3D PDF](#)

3D

Customer View Model

[ENG\\_CVM\\_CVM\\_160684-4\\_W.2d\\_dxf.zip](#)

English

Customer View Model

[ENG\\_CVM\\_CVM\\_160684-4\\_W.3d\\_igs.zip](#)

English

Customer View Model

[ENG\\_CVM\\_CVM\\_160684-4\\_W.3d\\_stp.zip](#)

English

[3D PDF](#)

English

Customer View Model

[ENG\\_CVM\\_160684-4\\_W.3d\\_igs.zip](#)

English

Customer View Model

[ENG\\_CVM\\_160684-4\\_W.3d\\_stp.zip](#)

English

Customer View Model

[ENG\\_CVM\\_160684-4\\_W.2d\\_dxf.zip](#)

English

By downloading the CAD file I accept and agree to the [Terms and Conditions](#) of use.

---

### Product Environmental Compliance

[MD\\_160684-4\\_1209201529\\_dmtec](#)

English

[MD\\_160684-4\\_1209201529\\_dmtec](#)

English