

Sleeve housing for cable connector - UC-0000000T0DU - 1606065

Please be informed that the data shown in this PDF Document is generated from our Online Catalog. Please find the complete data in the user's documentation. Our General Terms of Use for Downloads are valid (<http://phoenixcontact.com/download>)

Sleeve housing for cable connector, angled, Screw locking, M23, shielded: yes, cable diameter range: 2 mm ... 14.5 mm



Key Commercial Data

Packing unit	8 pc
GTIN	
GTIN	4046356257084

Technical data

General

Note	Order information: Order contact inserts separately
Type of locking	Screw locking
Contact connection method	Crimp connection
Type of contacts	Socket
Conductor entry	2 mm ... 14.5 mm
Pg housing screw connection	none

Ambient conditions

Ambient temperature	-20 °C ... 125 °C
Degree of protection	IP67

Material

Housing material	Turned parts: copper zinc alloy (CuZn), die-cast parts: zinc (GD-Zn)
Gasket and O-ring material	FPM

Specifications according to DIN EN 61984:2001

Installation height max.	2000 m
--------------------------	--------

Environmental Product Compliance

REACH SVHC	Lead 7439-92-1
------------	----------------

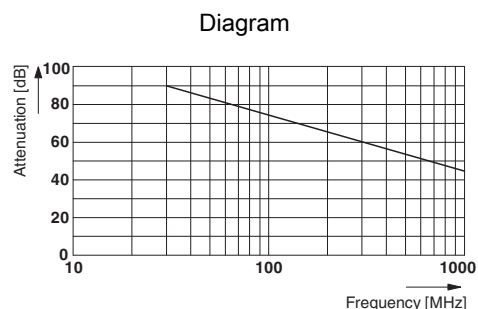
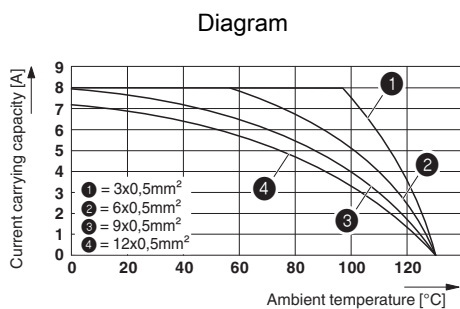
Sleeve housing for cable connector - UC-0000000T0DU - 1606065

Technical data

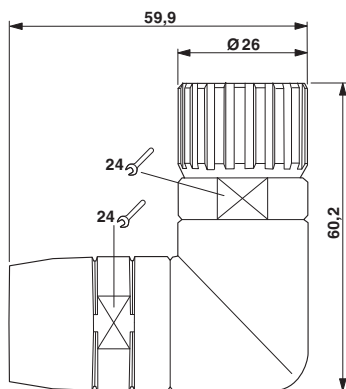
Environmental Product Compliance

China RoHS	Environmentally Friendly Use Period = 50
	For details about hazardous substances go to tab "Downloads", Category "Manufacturer's declaration"

Drawings



Dimensional drawing



Approvals

Approvals

Approvals

EAC

Ex Approvals

Approval details

Sleeve housing for cable connector - UC-0000000T0DU - 1606065

Approvals

EAC



B.01742

Phoenix Contact 2018 © - all rights reserved
<http://www.phoenixcontact.com>

PHOENIX CONTACT GmbH & Co. KG
Flachsmarktstr. 8
32825 Blomberg
Germany
Tel. +49 5235 300
Fax +49 5235 3 41200
<http://www.phoenixcontact.com>