

Device connector, front mounting with knurled nut - SM-5ES1N8AY000

1605823

<https://www.phoenixcontact.com/us/products/1605823>

Please be informed that the data shown in this PDF document is generated from our Online Catalog. Please find the complete data in the user documentation. Our General Terms of Use for Downloads are valid.



Device connector, front mounting with knurled nut, straight, Screw locking, M40, number of positions: 2+3+PE, type of contact: Socket, Axial O-ring, 4x Ø4,2, shielded: yes, flange dimensions: 40 mm x 40 mm, degree of protection: IP67, cable diameter range: 0 mm ... 0 mm, number of positions: 6, connection method: Crimp connection, series: SM

Device connector, front mounting with knurled nut - SM-5ES1N8AY000



1605823

<https://www.phoenixcontact.com/us/products/1605823>

Commercial Data

Item number	1605823
Packing unit	1 pc
Minimum order quantity	1 pc
Sales Key	A12
Product Key	ABRCCM
Catalog Page	Page 167 (C-2-2019)
GTIN	4046356255042
Weight per Piece (including packing)	322.8 g
Weight per Piece (excluding packing)	262.27 g
Customs tariff number	85366990
Country of origin	DE

Device connector, front mounting with knurled nut - SM-5ES1N8AY000



1605823

<https://www.phoenixcontact.com/us/products/1605823>

Technical Data

Notes

Order information:	Order crimp contacts 2 x Ø 2 mm, 4 x Ø 3.6 mm separately
--------------------	--

Safety note

Safety note	WARNING: The connectors may not be plugged in or disconnected under load. Ignoring the warning or improper use may damage persons and/or property.
	• WARNING: Commission properly functioning products only. The products must be regularly inspected for damage. Decommission defective products immediately. Replace damaged products. Repairs are not possible.
	• WARNING: Only electrically qualified personnel may install and operate the product. They must observe the following safety notes. The qualified personnel must be familiar with the basics of electrical engineering. They must be able to recognize and prevent danger. The relevant symbol on the packaging indicates that only personnel familiar with electrical engineering are allowed to install and operate the product.
	• The products are suitable for applications in plant, controller, and electrical device engineering.
	• When operating the connectors in outdoor applications, they must be separately protected against environmental influences.
	• Assembled products may not be manipulated or improperly opened.
	• Only use mating connectors that are specified in the technical data of the standards listed (e.g. the ones listed in the product accessories online at phoenixcontact.com/products).
	• When using the product in direct connection with third-party manufacturers, the user is responsible.
	• For operating voltages > 50 V AC, conductive connector housings must be grounded
	• Ensure that the protective or functional ground has been properly connected.
	• VDE 0100/1.97 § 411.1.3.2 and DIN EN 60 204/11.98 § 14.1.3 are applicable when combining several circuits in a cable and/or connector
	• Only use tools recommended by Phoenix Contact
	• The installation notes/Design In documents online on the download page at phoenixcontact.com/products must be observed for this product.
	• Operate the connector only when it is fully plugged in and interlocked.

Device connector, front mounting with knurled nut - SM-5ES1N8AY000



1605823

<https://www.phoenixcontact.com/us/products/1605823>

ambient conditions, the surface of the connector can continue to warm up. In this case, the user is responsible for posting warnings (e.g. DIN EN ISO 13732-1:2008-12).

Product properties

Product type	Circular connectors (device side)
Number of positions	6
Connection profile	2+3+PE
Application	Power
Locking type	Screw locking
Series	SM
Shielded	yes
Coding	N
Thread type	M40

Ambient conditions

Degree of protection	IP67
Ambient temperature (operation)	-40 °C ... 125 °C
Altitude	3000 m

Dimensions

Housing	
Flange dimensions	40 mm x 40 mm

Connector

Type	straight
------	----------

Electrical properties

Contact

Contact diameter	3.6 mm
Max. current	70 A
Nominal voltage U_N	630 V
Overvoltage category	III
Rated surge voltage	6 kV

Contact

Contact diameter	2 mm
Max. current	30 A
Nominal voltage U_N	250 V
Overvoltage category	III
Rated surge voltage	4 kV

Material specifications

Device connector, front mounting with knurled nut - SM-5ES1N8AY000



1605823

<https://www.phoenixcontact.com/us/products/1605823>

Seal material	FPM
Housing material	Turned parts: copper zinc alloy (CuZn), die-cast parts: zinc (GD-Zn)
Insulator material	PA 6.6
Gasket and O-ring material	FPM

Connection data

Conductor connection

Connection method	Crimp connection
-------------------	------------------

Mounting

Mounting	4x Ø4,2
----------	---------

Cable / line

Cable structure

External cable diameter	0 mm ... 0 mm
-------------------------	---------------

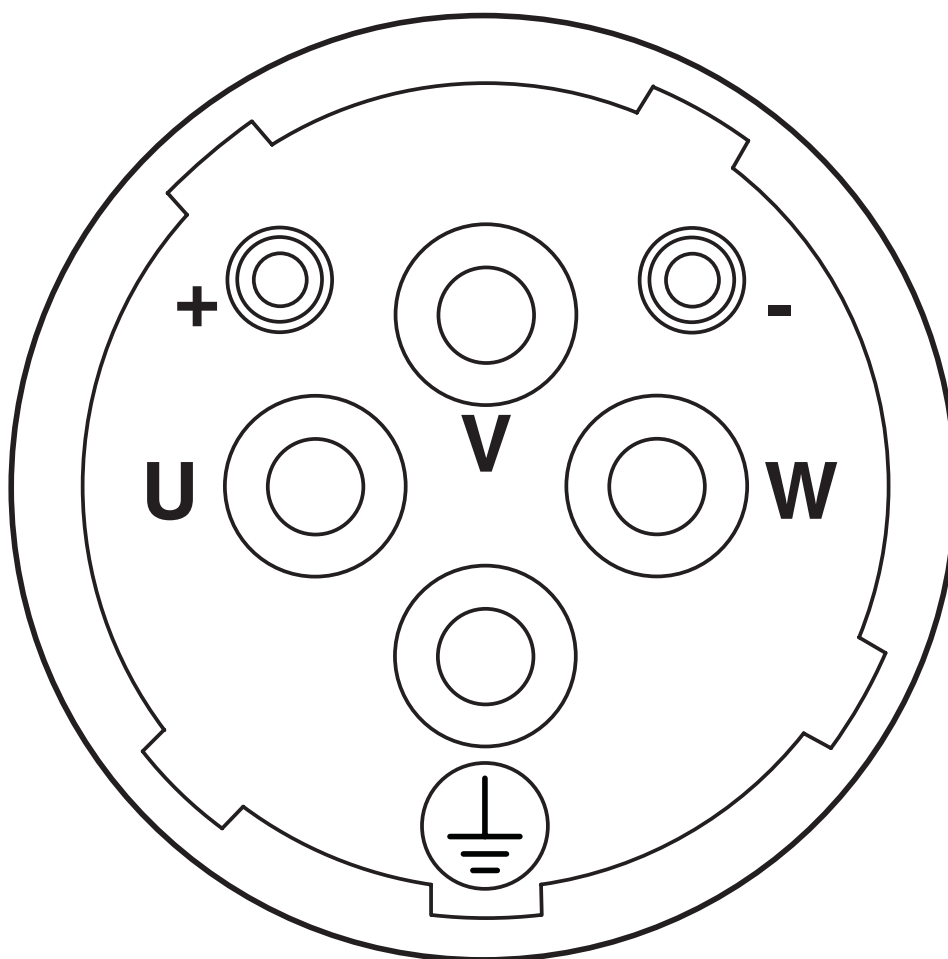
Device connector, front mounting with knurled nut - SM-5ES1N8AY000

1605823

<https://www.phoenixcontact.com/us/products/1605823>

Drawings

Schematic diagram



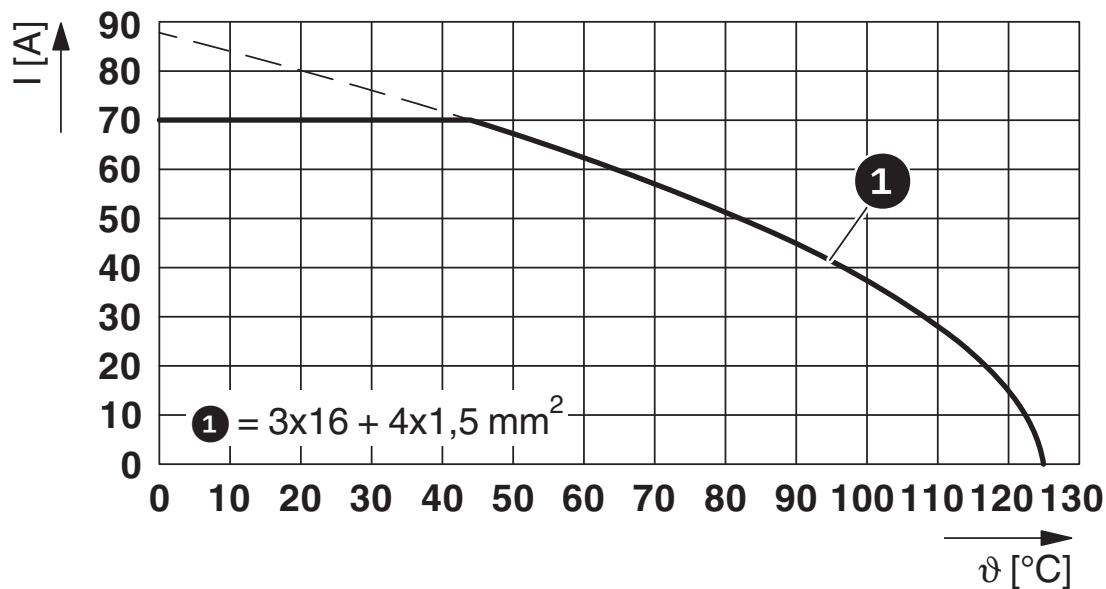
Connector pin assignment

Device connector, front mounting with knurled nut - SM-5ES1N8AY000

1605823

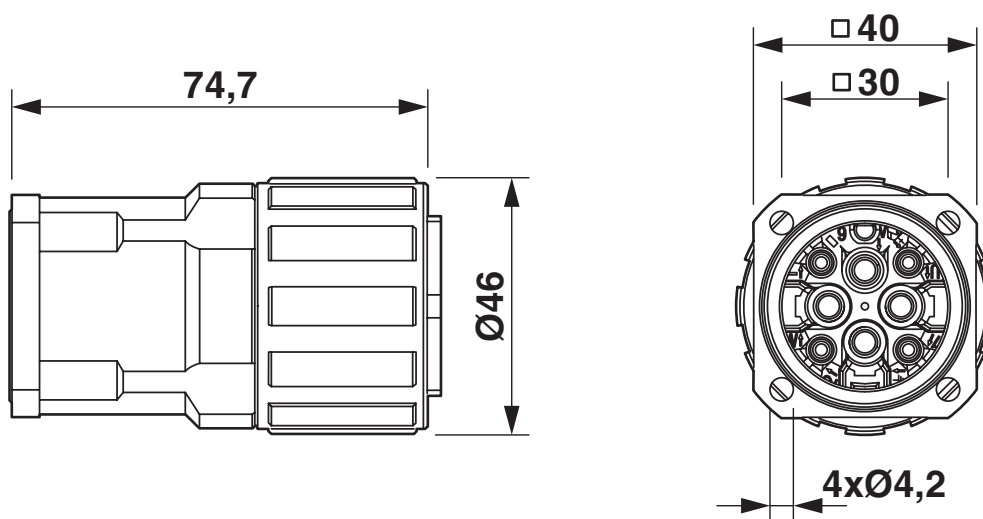
<https://www.phoenixcontact.com/us/products/1605823>

Diagram



I = current strength, T = ambient temperature

Dimensional drawing



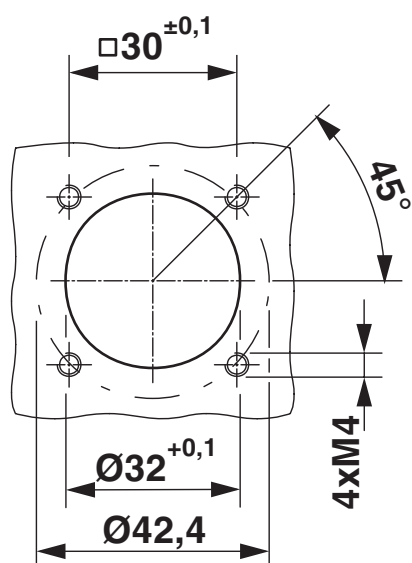
Dimensional drawing

Device connector, front mounting with knurled nut - SM-5ES1N8AY000

1605823

<https://www.phoenixcontact.com/us/products/1605823>

Dimensional drawing



Installation dimensions


Device connector, front mounting with knurled nut - SM-5ES1N8AY000





1605823

<https://www.phoenixcontact.com/us/products/1605823>

Approvals

 cUL Recognized Approval ID: E153698-20150903				
	Nominal Voltage U_N	Nominal Current I_N	Cross Section AWG	Cross Section mm^2
Power	600 V	40 A	-	-
Signal	600 V	20 A	-	-

 UL Recognized Approval ID: E153698-20150903				
	Nominal Voltage U_N	Nominal Current I_N	Cross Section AWG	Cross Section mm^2
Power	600 V	65 A	-	-
Signal	600 V	30 A	-	-

 EAC Approval ID: B.01687	
--	--

cULus Recognized

Device connector, front mounting with knurled nut - SM-5ES1N8AY000



1605823

<https://www.phoenixcontact.com/us/products/1605823>

Classifications

ECLASS

ECLASS-9.0	27440102
ECLASS-10.0.1	27440102
ECLASS-11.0	27440102

ETIM

ETIM 8.0	EC002635
----------	----------

UNSPSC

UNSPSC 21.0	39121400
-------------	----------

Device connector, front mounting with knurled nut - SM-5ES1N8AY000



1605823

<https://www.phoenixcontact.com/us/products/1605823>

Environmental Product Compliance

REACH SVHC	Lead 7439-92-1
China RoHS	Environmentally Friendly Use Period = 50 years
	For information on hazardous substances, refer to the manufacturer's declaration available under "Downloads"

Device connector, front mounting with knurled nut - SM-5ES1N8AY000

1605823

<https://www.phoenixcontact.com/us/products/1605823>

Accessories

Crimp contact

Crimp contact - SM-36KS001 - 1605756

<https://www.phoenixcontact.com/us/products/1605756>



Crimp contact, turned, Single contact, contact diameter: 3.6 mm, crimp range: 1 mm² ... 2.5 mm²

Crimp contact

Crimp contact - SM-36KS002 - 1605758

<https://www.phoenixcontact.com/us/products/1605758>



Crimp contact, turned, Single contact, contact diameter: 3.6 mm, crimp range: 2.5 mm² ... 4 mm²

Device connector, front mounting with knurled nut - SM-5ES1N8AY000

1605823

<https://www.phoenixcontact.com/us/products/1605823>

Crimp contact

Crimp contact - SM-36KS003 - 1605760

<https://www.phoenixcontact.com/us/products/1605760>



Crimp contact, turned, Single contact, contact diameter: 3.6 mm, crimp range: 4 mm² ... 6 mm²

Crimp contact

Crimp contact - SM-36KS004 - 1605762

<https://www.phoenixcontact.com/us/products/1605762>



Crimp contact, turned, Single contact, contact diameter: 3.6 mm, crimp range: 6 mm² ... 10 mm²

Device connector, front mounting with knurled nut - SM-5ES1N8AY000

1605823

<https://www.phoenixcontact.com/us/products/1605823>

Crimp contact

Crimp contact - SF-7PS2000 - 1605636

<https://www.phoenixcontact.com/us/products/1605636>



Crimp contact, turned, Single contact, contact diameter: 2 mm, crimp range: 0.25 mm² ... 1 mm²

Crimp contact

Crimp contact - SF-7NS2000 - 1605631

<https://www.phoenixcontact.com/us/products/1605631>



Crimp contact, turned, Single contact, contact diameter: 2 mm, crimp range: 0.75 mm² ... 1.5 mm²

Device connector, front mounting with knurled nut - SM-5ES1N8AY000

1605823

<https://www.phoenixcontact.com/us/products/1605823>

Crimp contact

Crimp contact - SF-7QS2000 - 1605643

<https://www.phoenixcontact.com/us/products/1605643>



Crimp contact, turned, Single contact, contact diameter: 2 mm, crimp range: 1 mm² ... 2.5 mm²

Crimp contact

Crimp contact - SF-7MS2000 - 1605628

<https://www.phoenixcontact.com/us/products/1605628>



Crimp contact, turned, Single contact, contact diameter: 2 mm, crimp range: 4 mm² ... 4 mm²

Device connector, front mounting with knurled nut - SM-5ES1N8AY000



1605823

<https://www.phoenixcontact.com/us/products/1605823>

Protective cap

Protective cap - SM-Z0031 - 1624199

<https://www.phoenixcontact.com/us/products/1624199>



Plastic protection cap for connectors with M40 SPEEDCON knurled nut

Phoenix Contact 2022 © - all rights reserved
<https://www.phoenixcontact.com>

Phoenix Contact USA
586 Fulling Mill Road
Middletown, PA 17057, United States
(+717) 944-1300
info@phoenixcon.com