



Terminals & Splices > Ring Terminals



Ring Terminal Product Type: **Closed Ring Tongue Terminal**

Wire Size: **2048 – 5178 CMA**

Stud Size: **M10**

## Features

### Product Type Features

Shape Description	Circular/Oval
Ring Terminal Product Type	Closed Ring Tongue Terminal
Stud Size	M10
Sealable	No
Compatible With Discrete Wire Type	Stranded
Wire Insulation Support Retention Type	Insulation Support

### Configuration Features

Number of Holes	1
-----------------	---

### Body Features

Product Weight	4.148 g
----------------	---------

### Contact Features

Contact Base Material	Brass
Barrel Type	Open
Terminal Orientation	Straight
Terminal Plating Material	Tin
Contact Underplating Material	Nickel



### Mechanical Attachment

Wire Insulation Support	With
-------------------------	------

### Dimensions

	.098 in
Wire Size	2048 – 5178 CMA
Stud Diameter	10.5 mm [.413 in]
Tongue Thickness	.76 mm [.03 in]
Product Length	29.72 mm [1.17 in]
Barrel Inside Diameter	1.65 mm, 2.79 mm [.065 in] [.11 in]
Compatible Insulation Diameter (Max)	3.81 mm [.15 in]
Compatible Insulation Diameter Range	2.5 – 3.8 mm [.098 – .15 in]

### Usage Conditions

Insulation Option	Uninsulated
Operating Temperature Range	-40 – 110 °C [-40 – 230 °F]

### Operation/Application

Compatible With Wire Base Material	Copper
------------------------------------	--------

### Industry Standards

Government Qualified Terminal	No
-------------------------------	----

### Packaging Features

Packaging Quantity	2000
Packaging Method	Strip/Reel

### Product Compliance

[For compliance documentation, visit the product page on TE.com>](#)

EU RoHS Directive 2011/65/EU	Compliant
EU ELV Directive 2000/53/EC	Compliant
China RoHS 2 Directive MIIT Order No 32, 2016	No Restricted Materials Above Threshold
EU REACH Regulation (EC) No. 1907/2006	Current ECHA Candidate List: JUNE 2024 (241) Candidate List Declared Against: JAN 2024 (240) Does not contain REACH SVHC
Halogen Content	Low Halogen - Br, Cl, F, I < 900 ppm per homogenous material. Also BFR/CFR/PVC

Free

Solder Process Capability

Not applicable for solder process capability

Product Compliance Disclaimer

This information is provided based on reasonable inquiry of our suppliers and represents our current actual knowledge based on the information they provided. This information is subject to change. The part numbers that TE has identified as EU RoHS compliant have a maximum concentration of 0.1% by weight in homogenous materials for lead, hexavalent chromium, mercury, PBB, PBDE, DBP, BBP, DEHP, DIBP, and 0.01% for cadmium, or qualify for an exemption to these limits as defined in the Annexes of Directive 2011/65/EU (RoHS2). Finished electrical and electronic equipment products will be CE marked as required by Directive 2011/65/EU. Components may not be CE marked. Additionally, the part numbers that TE has identified as EU ELV compliant have a maximum concentration of 0.1% by weight in homogenous materials for lead, hexavalent chromium, and mercury, and 0.01% for cadmium, or qualify for an exemption to these limits as defined in the Annexes of Directive 2000/53/EC (ELV). Regarding the REACH Regulation, the information TE provides on SVHC in articles for this part number is based on the latest European Chemicals Agency (ECHA) 'Guidance on requirements for substances in articles' posted at this URL: <https://echa.europa.eu/guidance-documents/guidance-on-reach>

### Compatible Parts




TE Part # 2150637-2  
OCEAN\_2.0\_Applicator-E-130F180F-REA



TE Part # 626283-3  
RING TONGUE ANT ROT



TE Part # 7-2150637-7  
OCEAN\_2.0\_SPARE\_PART\_KIT-130F180F



TE Part # 881002-2  
RING TONGUE 3.0-6.0 MM2 0.81X20.95 TPBR



TE Part # 7-2150637-2  
OCEAN\_2.0\_Applicator-E-130F180F

### Customers Also Bought



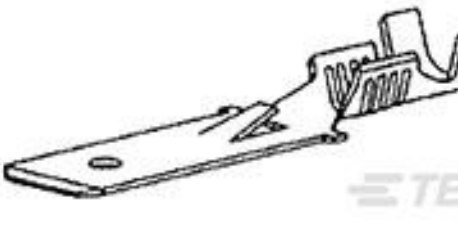
TE Part #2336313-4  
QSFP 25GIG 32AWG 2 METER



TE Part #2-746610-4  
060 DIP PLUG 100CL TIN



TE Part #42437-5  
250 FASTON REC 14-10 AWG TPBZ



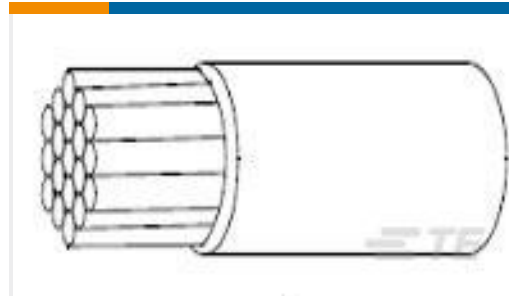
TE Part #160762-2  
FF 110 TAB 0.5-1.5MM2 PTPBR



TE Part #3-745130-9  
SHLDING FERRULE,PLTD,BULK PKG



TE Part #1-626065-2  
FF 110 2P HOUSING TAB NATURAL  
PA6.6 V-0



TE Part #216396-000  
22759/33-30-9



TE Part #4-456406-1  
CRIMPER, WIRE .090



TE Part #1-690403-1  
CRIMPER INSUL F



TE Part #493814-1  
COVER HSG FUSE AUTOM TIC

## Documents

### Product Drawings

[RT IS 1.0-2.5MM2 0.315 X .708 TPBR](#)

English

### CAD Files

[3D PDF](#)

3D

Customer View Model

[ENG\\_CVM\\_CVM\\_160467-2\\_H.2d\\_dxf.zip](#)

English

Customer View Model

[ENG\\_CVM\\_CVM\\_160467-2\\_H.3d\\_igs.zip](#)

English

Customer View Model

[ENG\\_CVM\\_CVM\\_160467-2\\_H.3d\\_stp.zip](#)

English

By downloading the CAD file I accept and agree to the [Terms and Conditions](#) of use.

### Product Specifications

[Product Specification](#)

English

[Product Specification](#)

English